



Chipsmall Limited consists of a professional team with an average of over 10 year of expertise in the distribution of electronic components. Based in Hongkong, we have already established firm and mutual-benefit business relationships with customers from,Europe,America and south Asia,supplying obsolete and hard-to-find components to meet their specific needs.

With the principle of "Quality Parts,Customers Priority,Honest Operation,and Considerate Service",our business mainly focus on the distribution of electronic components. Line cards we deal with include Microchip,ALPS,ROHM,Xilinx,Pulse,ON,Everlight and Freescale. Main products comprise IC,Modules,Potentiometer,IC Socket,Relay,Connector.Our parts cover such applications as commercial,industrial, and automotives areas.

We are looking forward to setting up business relationship with you and hope to provide you with the best service and solution. Let us make a better world for our industry!



## Contact us

Tel: +86-755-8981 8866 Fax: +86-755-8427 6832

Email & Skype: info@chipsmall.com Web: www.chipsmall.com

Address: A1208, Overseas Decoration Building, #122 Zhenhua RD., Futian, Shenzhen, China

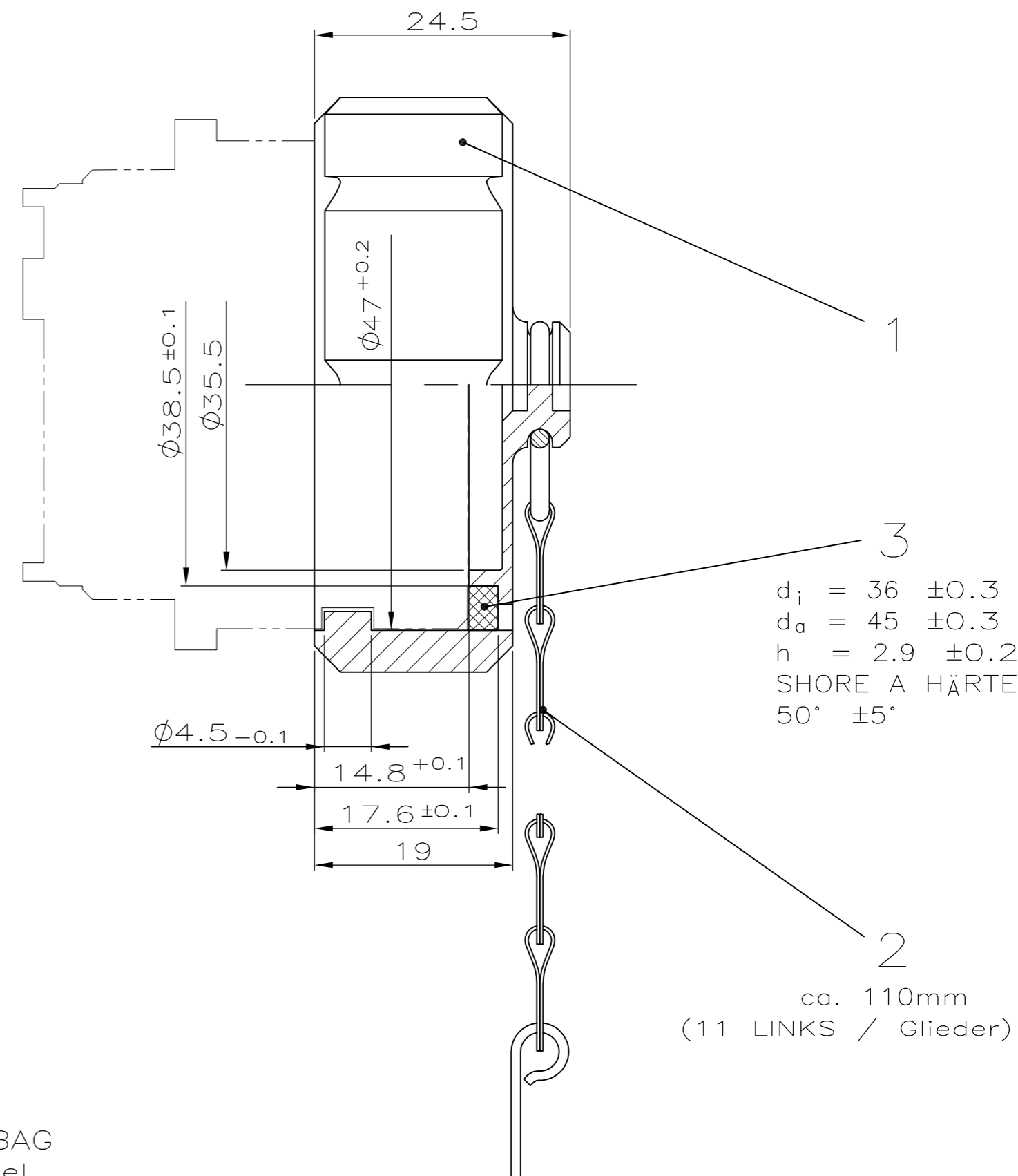
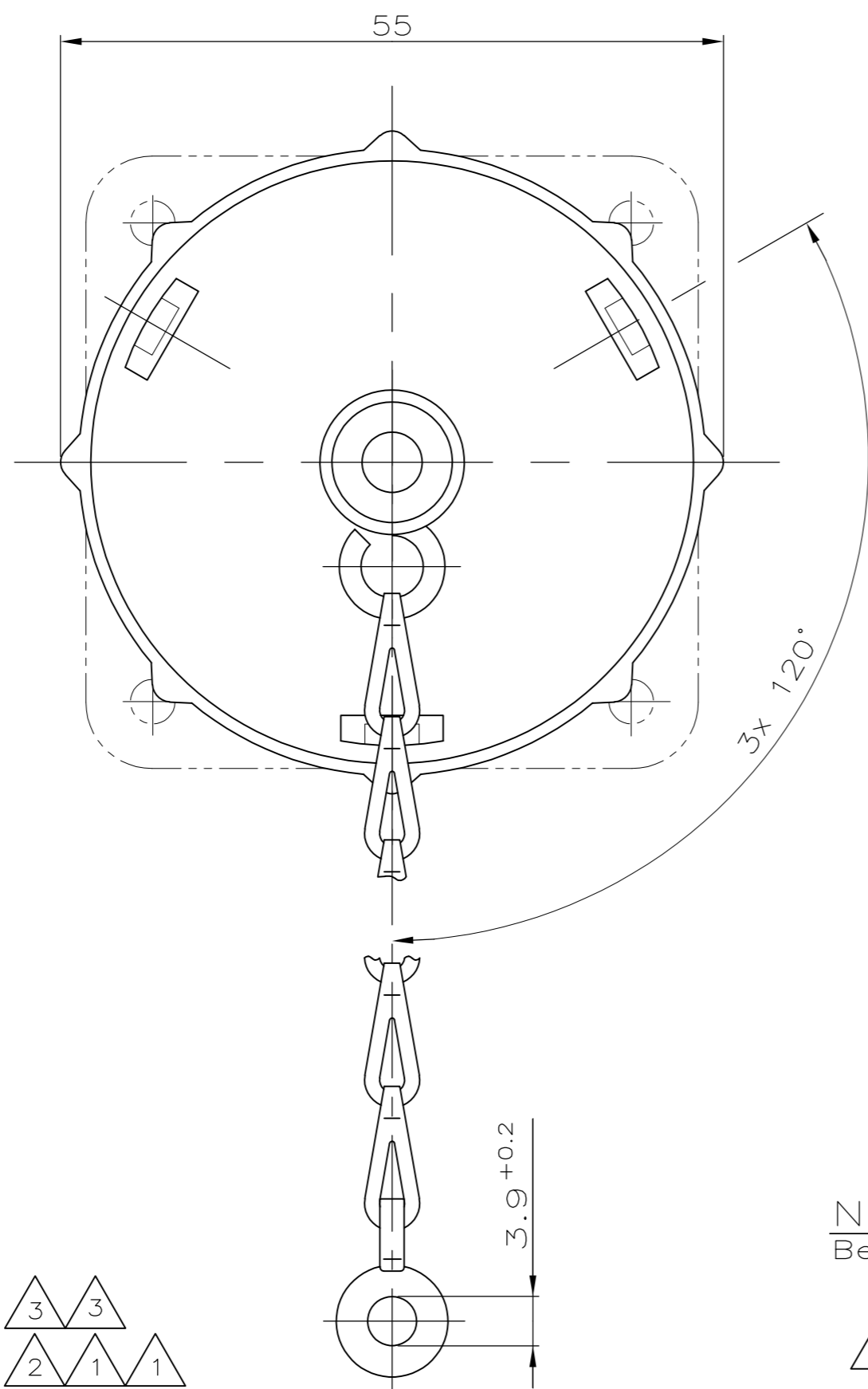


THIS DRAWING IS UNPUBLISHED.  
VERTRAULICHE UNVERÖFFENTLICHTE ZEICHNUNG

RELEASED FOR PUBLICATION  
FREI FUER VERÖFFENTLICHUNG  
ALL RIGHTS RESERVED.  
ALLE RECHTE VORBEHALTEN

USED ON: 926742, 926744

LOC	DIST	REVISIONS					
A1	-	P	LTR	DESCRIPTION	DATE	DWN	APVD
		G		SEALING CAP RESIN MATERIAL CHANGED	18DEC2013	TJ	JK



$d_i = 36 \pm 0.3$   
 $d_a = 45 \pm 0.3$   
 $h = 2.9 \pm 0.2$   
 SHORE A HÄRTE  
 $50^\circ \pm 5^\circ$

ca. 110mm  
 (11 LINKS / Glieder)

**NOTES:**  
Bemerkungen:

- 1 PACKED IN PLASTIC BAG  
Verpackt in Poly-Beutel
- 2 120 PIECES PACKED IN CARTBOARD-BOX  
120 Stück verpackt in Karton
- 3 OBSOLETE

3	3		
2	1	1	
F	F	G	REV
827155-3	827155-2	827155-1	Bestell-Nr. ORDER-NR.

-	-	-	-	-	-	-	-	-	-
-	1	-	828580-2	3	1	GASKET	FKM	BLACK	
1	-	1	828580-1	3	1	Dichtung	Si	NATURAL	
1	1	1	827148-1	2	1	SAFETY CHAIN	Ms63 F38	BLACK	
1	1	1	926746-1	1	1	SEALING CAP	PA66/6-GBF	BLACK	
			Einzelteil-Nr.	POS.	Stück	Benennung Einzelteil	Werkstoff	Oberfläche/SURFACE	
			SINGLE PART-NO.		QTY	DESCRIPTION SINGLE PART	MATERIAL	Farbe/COLOUR	

THIS DRAWING IS A CONTROLLED DOCUMENT.  
DIESE ZEICHNUNG IST EIN KONTROLLIERTES DOKUMENT.

DIMENSIONS: MASSENHEITEN mm

TOLERANCES UNLESS OTHERWISE SPECIFIED: n. ISO 8015

0 PLC	± 0.5 mm
1 PLC	± 0.5 mm
2 PLC	± -
3 PLC	± -
4 PLC	± -

FINISH/OBERFLÄCHE/FARBE

DWN	Häggman	22.09.81
CHK	Romak	30.09.81
APVD	-	-

NAME: **TE** TE Connectivity

PRODUCT SPEC: SEALING CAP ASSY FOR SOCKET; SIZE 28  
Staubkappe kplt. f. Steckdose; Gr. 28

APPLICATION SPEC. VERÄNDERUNGSSPEZ.

WEIGHT: -  
GÉWICHT: -

SCALE: MASSSTAB 2:1

SHEET: 1 OF 1

REV: G

CUSTOMER DRAWING / KUNDENZEICHNUNG

SIZE: A2

CAGE CODE: 00779

DRAWING NO. ZEICHNUNGS-NR.: 827155

RESTRICTED TO NUR FUER: -