



Chipsmall Limited consists of a professional team with an average of over 10 year of expertise in the distribution of electronic components. Based in Hongkong, we have already established firm and mutual-benefit business relationships with customers from,Europe,America and south Asia,supplying obsolete and hard-to-find components to meet their specific needs.

With the principle of “Quality Parts,Customers Priority,Honest Operation,and Considerate Service”,our business mainly focus on the distribution of electronic components. Line cards we deal with include Microchip,ALPS,ROHM,Xilinx,Pulse,ON,Everlight and Freescale. Main products comprise IC,Modules,Potentiometer,IC Socket,Relay,Connector.Our parts cover such applications as commercial,industrial, and automotives areas.

We are looking forward to setting up business relationship with you and hope to provide you with the best service and solution. Let us make a better world for our industry!



## Contact us

Tel: +86-755-8981 8866 Fax: +86-755-8427 6832

Email & Skype: info@chipsmall.com Web: www.chipsmall.com

Address: A1208, Overseas Decoration Building, #122 Zhenhua RD., Futian, Shenzhen, China



### Ø 36 mm 16 Watts 16 W Part number 82740002



- Long service life
- With varistor EMC filtering
- Optional class B interference suppression
- Optional encoder with class B interference suppression

#### Part numbers

	Type	Type	Voltage	References
82740002	16 W	827400	24 V	Without option

#### Specifications

##### No-load characteristics

Speed of rotation (rpm)	3900
Absorbed power (W)	1,9
Absorbed current (A)	0,08

##### Nominal characteristics

Speed (rpm)	3000
Torque (mNm)	35
Usable power (W)	11
Absorbed power (W)	16,8
Absorbed current (A)	0,7
Gearbox case temperature rise (°C)	27
Efficiency (%)	65

##### General characteristics

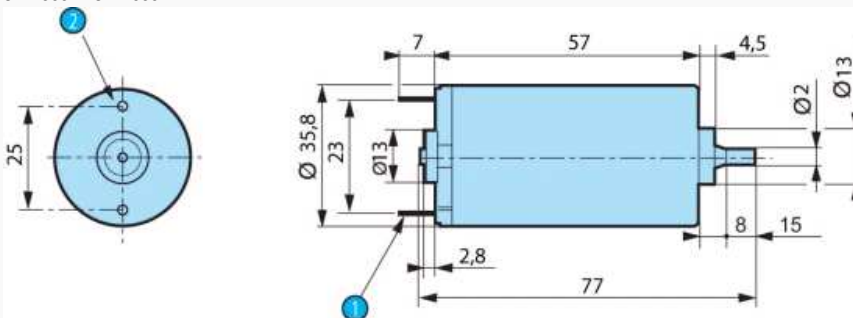
Coil wire insulation class	H
Protection rating	IP 20
Max. output power (W)	15,8
Start torque (mNm)	155
Starting current (A)	2,75
Resistance (Ω)	8,73
Inductance (mH)	9,6
Torque constant (Nm/A)	0,058
Electrical time constant (ms)	1,1
Mechanical time constant (ms)	11,1
Thermal time constant (mn)	6,5
Inertia (g.cm <sup>2</sup> )	45
Weight (g)	200
Number of segments	5
Service life (h)	3000
Sintered bronze bearings	▪

#### Made to order products, available on request

- 1, 5 or 12 pulse encoder
- Characteristics as per specification

#### Dimensions (mm)

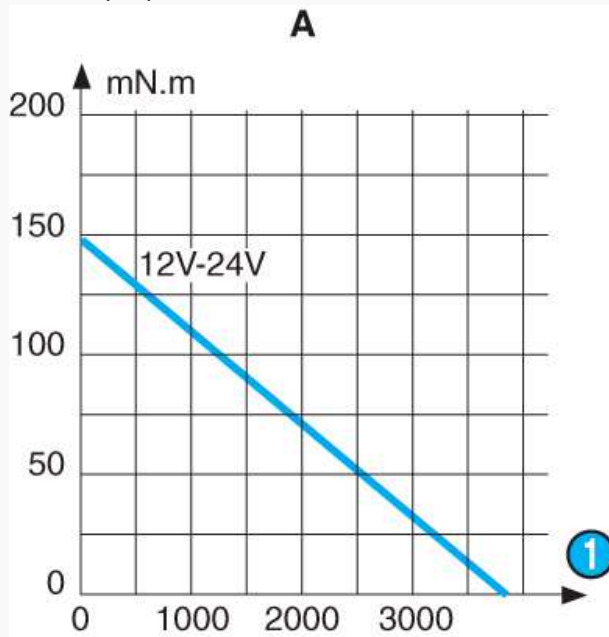
82740001 - 82740002



N°	Legend
①	2 solder tags 4.75 x 0.5 mm
②	2 holes M3 : screw depth max. 3 mm

## Curves

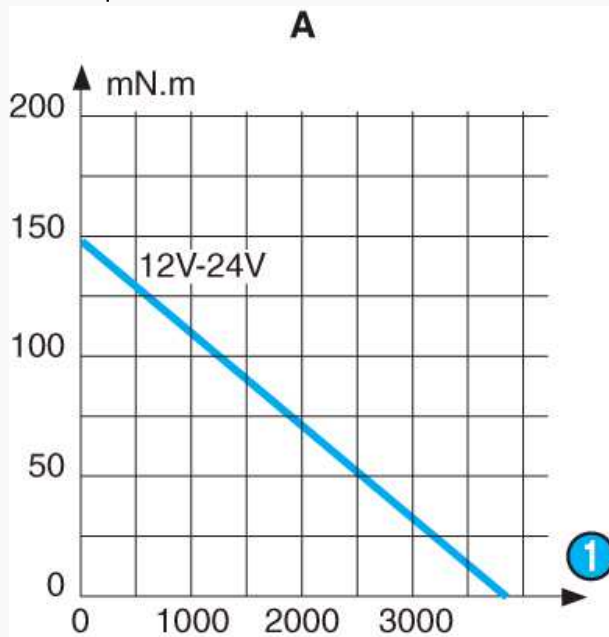
Curve : torque/speed 827400



N°	Legend
①	rpm

## Curves

Curve : torque/current 827400



## Product adaptations



- Encoder with different number of pulses per revolution
- Push-fit pinion
- Additional connectors