



Chipsmall Limited consists of a professional team with an average of over 10 year of expertise in the distribution of electronic components. Based in Hongkong, we have already established firm and mutual-benefit business relationships with customers from,Europe,America and south Asia,supplying obsolete and hard-to-find components to meet their specific needs.

With the principle of “Quality Parts,Customers Priority,Honest Operation,and Considerate Service”,our business mainly focus on the distribution of electronic components. Line cards we deal with include Microchip,ALPS,ROHM,Xilinx,Pulse,ON,Everlight and Freescale. Main products comprise IC,Modules,Potentiometer,IC Socket,Relay,Connector.Our parts cover such applications as commercial,industrial, and automotives areas.

We are looking forward to setting up business relationship with you and hope to provide you with the best service and solution. Let us make a better world for our industry!



Contact us

Tel: +86-755-8981 8866 Fax: +86-755-8427 6832

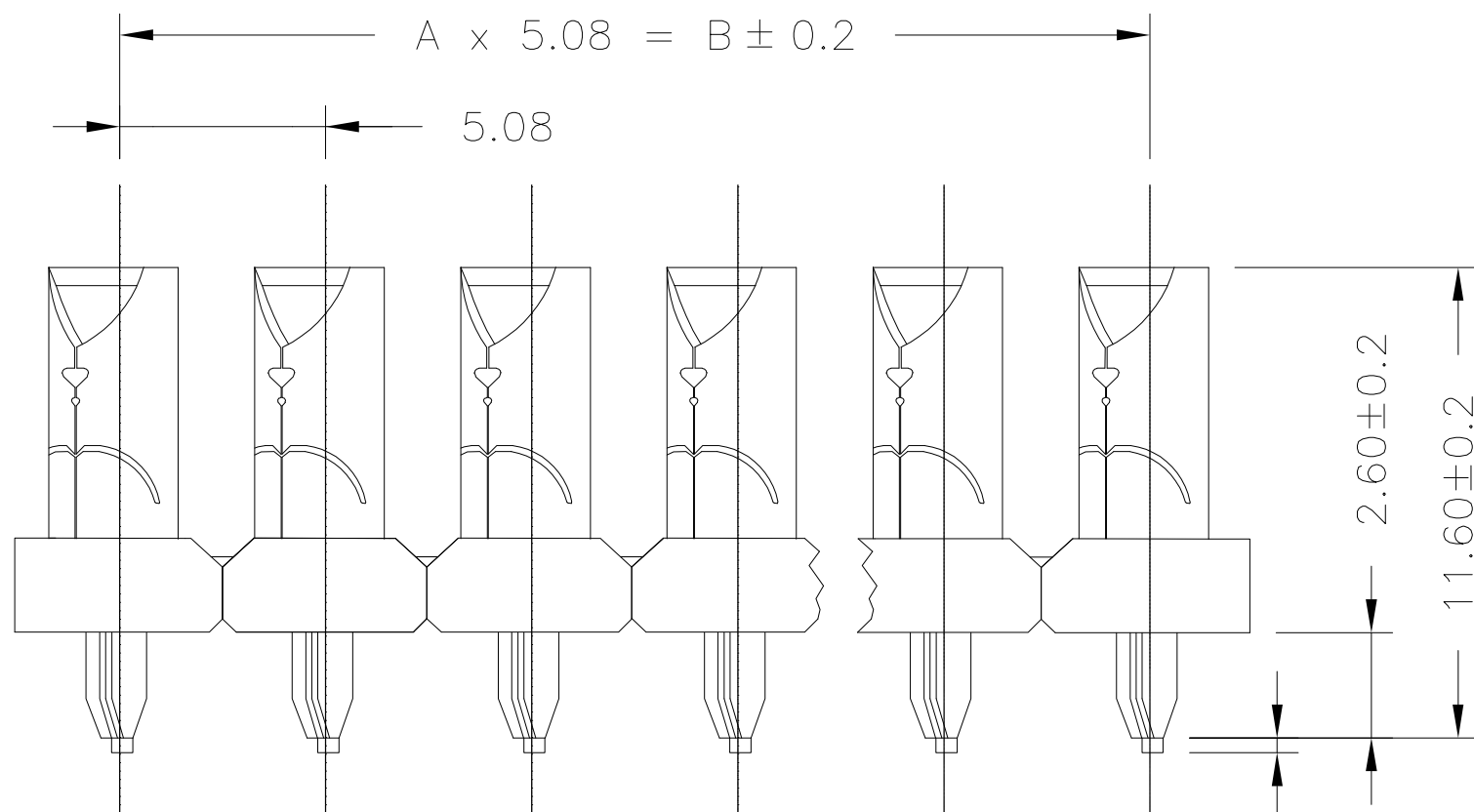
Email & Skype: info@chipsmall.com Web: www.chipsmall.com

Address: A1208, Overseas Decoration Building, #122 Zhenhua RD., Futian, Shenzhen, China

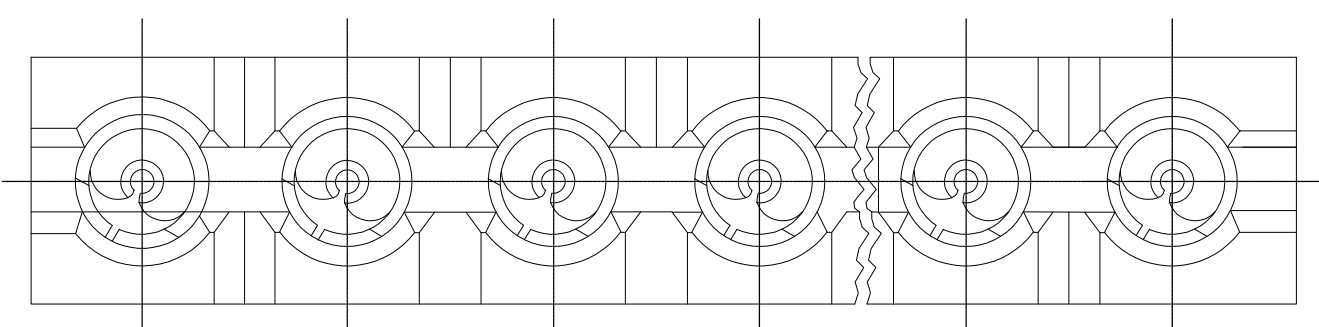
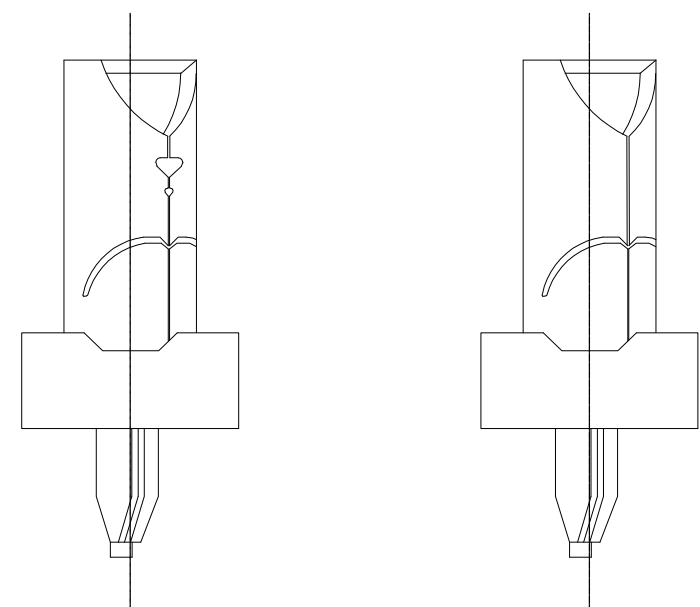


THIS DRAWING IS UNPUBLISHED. RELEASED FOR PUBLICATION JUL ,2010.
 © COPYRIGHT 2006 BY TYCO ELECTRONICS CORPORATION. ALL INTERNATIONAL RIGHTS RESERVED.

LOC	DIST	REVISIONS			
P	LTR	DESCRIPTION	DATE	DWN	APVD
A1	-				
	A	INITIAL RELEASE	28JUL2010	PKS	TK
	-	-	-	-	-



827702-1 827702-2
 827702-3



827702-3	5	25.4	6 POS. BARREL STRIP ASS'Y
827702-2	15	76.2	16 POS. BARREL STRIP ASS'Y
827702-1			
PART NO.	A	DIM. B	DESCRIPTION

THIS DRAWING IS A CONTROLLED DOCUMENT.		DWN SENTHIL 23JUL2010	Tyco Electronics Corporation India Bangalore, India	
DIMENSIONS: mm		CHK SENTHIL 26JUL2010		
TOLERANCES UNLESS OTHERWISE SPECIFIED:		APVD T.KLENNER 28JUL2010	NAME 6/16 POS. BARREL STRIP ASSY 16 POL. BARREL TRAEGERSTREIFEN, BESTUECKT	
0 PLC ± - 1 PLC ± - 2 PLC ± 0.1 3 PLC ± - 4 PLC ± - ANGLES ± 2°		PRODUCT SPEC 108-6025	RESTRICTED TO	
MATERIAL		APPLICATION SPEC 114-6000	SIZE A3	CAGE CODE 00779
FINISH		WEIGHT -	DRAWING NO C-827702	REV A
CUSTOMER DRAWING			SCALE 5:1	SHEET 1 OF 1