



Chipsmall Limited consists of a professional team with an average of over 10 year of expertise in the distribution of electronic components. Based in Hongkong, we have already established firm and mutual-benefit business relationships with customers from,Europe,America and south Asia,supplying obsolete and hard-to-find components to meet their specific needs.

With the principle of “Quality Parts,Customers Priority,Honest Operation,and Considerate Service”,our business mainly focus on the distribution of electronic components. Line cards we deal with include Microchip,ALPS,ROHM,Xilinx,Pulse,ON,Everlight and Freescale. Main products comprise IC,Modules,Potentiometer,IC Socket,Relay,Connector.Our parts cover such applications as commercial,industrial, and automotives areas.

We are looking forward to setting up business relationship with you and hope to provide you with the best service and solution. Let us make a better world for our industry!



Contact us

Tel: +86-755-8981 8866 Fax: +86-755-8427 6832

Email & Skype: info@chipsmall.com Web: www.chipsmall.com

Address: A1208, Overseas Decoration Building, #122 Zhenhua RD., Futian, Shenzhen, China



NUMMER 827872

VERWENDET FÜR -

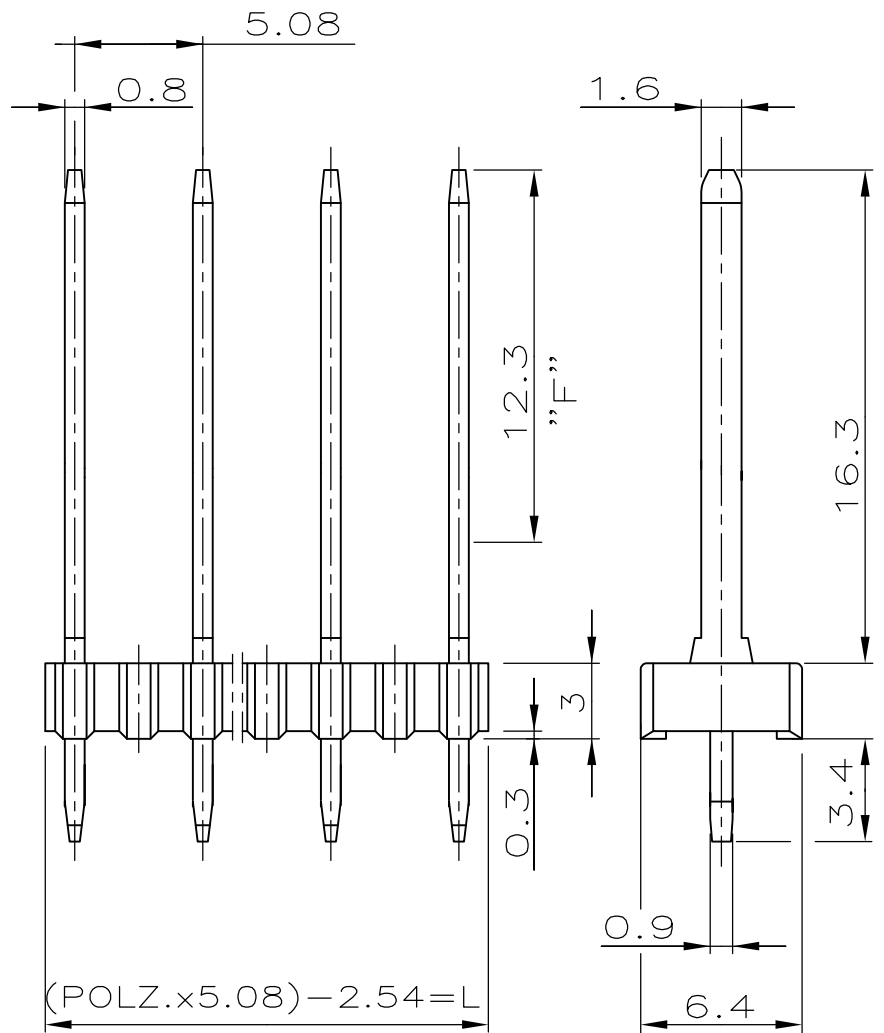
CAD-ORIGINAL
ZEICHNUNG NICHT ÄNDERN

ZEICHNUNG GESCHÜTZT DURCH
©COPYRIGHT 1981
AMP DEUTSCHLAND GMBH
ALLE RECHTE VORBEHALTEN

ÄNDERUNGEN, DIE DEM
TECHNISCHEN FORT-
SCHRITT DIENEN, BE-
HALTEN WIR UNS VOR

REV.	ÄNDERUNG	DATUM	NAME
2	CAD-NEUERSTELLUNG WAR AUF 827 234 B-FORMAT	10.05.90	A.HO
G1	REVISIONSUMSTELLUNG	10-SEP-03	E. WER.
G2	REVISED PER ECO-09-023313	12OCT09	AEG

Polz	L±0.3	BESTELL NR.
1	2.54	△ 2 -827 872 1
2	7.62	△ 2 - - - - 2
3	12.70	△ 2 - - - - 3
4	17.78	△ 2 - - - - 4
5	22.86	△ 2 - - - - 5
6	27.94	△ 2 - - - - 6
7	33.02	△ 2 - - - - 7
8	38.10	△ 2 - - - - 8
9	43.18	- - - - - 9
10	48.26	△ 2 1 - - - - 0
11	53.34	△ 2 1 - - - - 1
12	58.42	△ 2 1 - - - - 2
13	63.50	△ 2 1 - - - - 3
14	68.58	△ 2 1 - - - - 4
15	73.66	1 - - - - - 5
16	78.74	△ 2 1 - - - - 6
17	83.82	△ 2 1 - - - - 7
18	88.90	1 - - - - - 8
19	93.98	△ 2 1 - - - - 9
20	99.06	△ 2 2 - - - - 0
21	104.14	△ 2 2 - - - - 1
22	109.22	△ 2 2 - - - - 2
23	114.30	△ 2 2 - - - - 3
24	119.38	△ 2 2 - - - - 4
25	124.46	△ 2 2 - - - - 5
26	129.54	△ 2 2 - - - - 6
27	134.62	△ 2 2 - - - - 7
28	139.70	△ 2 2 - - - - 8
29	144.78	△ 2 2 - - - - 9
30	149.86	3-827 872-0



- △1 STECKSEITE:IM BEREICH "F" 0.8µm GOLD ÜBER 1.27 µm NICKEL
LÖTSEITE: 2.5-5 µm ZINN ÜBER 1.27 µm NICKEL
- △2 OBSOLETE PARTS: OBSOLETE CIS STREAMLINING PER D.RENAUD/D.SINISI

WAR NR. -
PASSEND ZU -

			ZEICHNUNG GÜLTIG AB 37./03..	
			AMP AMP DEUTSCHLAND G.m.b.H. Langen b.Ffm.,West Germany	
			Benennung	
KONTAKTSTIFT	Cu Zn	△1	AMPMODU I STIFTELEISTE, RASTER 5.08	
STIFTGEHÄUSE	PBTP GV	GRÜN	EINREIHIG	
BENENNUNG		WERKSTOFF	OBERFLÄCHE	NICHT TOLERIERTE MASSE
			FARBE	± 0.2 mm
GEZ. 18.05.81		GEPR. -		± -
R.JÄGER		BöCK		
			FORMAT	ZEICHNUNGS-NR.
			A4	827872
			MASSTAB	BLATT
			4:1	1 von 1
				REV. G2

