



Chipsmall Limited consists of a professional team with an average of over 10 year of expertise in the distribution of electronic components. Based in Hongkong, we have already established firm and mutual-benefit business relationships with customers from,Europe,America and south Asia,supplying obsolete and hard-to-find components to meet their specific needs.

With the principle of “Quality Parts,Customers Priority,Honest Operation,and Considerate Service”,our business mainly focus on the distribution of electronic components. Line cards we deal with include Microchip,ALPS,ROHM,Xilinx,Pulse,ON,Everlight and Freescale. Main products comprise IC,Modules,Potentiometer,IC Socket,Relay,Connector.Our parts cover such applications as commercial,industrial, and automotives areas.

We are looking forward to setting up business relationship with you and hope to provide you with the best service and solution. Let us make a better world for our industry!



Contact us

Tel: +86-755-8981 8866 Fax: +86-755-8427 6832

Email & Skype: info@chipsmall.com Web: www.chipsmall.com

Address: A1208, Overseas Decoration Building, #122 Zhenhua RD., Futian, Shenzhen, China



Ø 42 mm 10 and 17 Watts 10 W Part number 82810018



- Usable power : 9 to 16 W
- For low-speed drive applications
- Sintered bronze bearings lubricated for life
- Power supply by 4.75 mm tags
- Interchangeable brushes
- Optional one-channel encoder

Part numbers

	Type	Type	Voltage	References
82810018	10 W	828100	24 V	Without encoder

Specifications

No-load characteristics

Speed of rotation (rpm)	2780
Absorbed power (W)	4,3
Absorbed current (A)	0,18

Nominal characteristics

Speed (rpm)	2000
Torque (mNm)	41,5
Usable power (W)	8,7
Absorbed power (W)	15,6
Absorbed current (A)	0,65
Gearbox case temperature rise (°C)	46
Efficiency (%)	55,7

General characteristics

Insulation class (conforming to IEC 85)	F (155 °C)
Protection (IEC/EN 60529)	IP20
Max. output power (W)	9,5
Start torque (mNm)	117
Starting current (A)	1,7
Resistance (Ω)	14,6
Inductance (mH)	10,7
Torque constant (Nm/A)	0,077
Electrical time constant (ms)	0,73
Mechanical time constant (ms)	17
Thermal time constant (mn)	10
Inertia (g.cm ²)	72
Weight (g)	310
Number of segments	8
Service life (h)	3000
Sintered bronze bearings	•
Replaceable brushes	•

Encoder characteristics

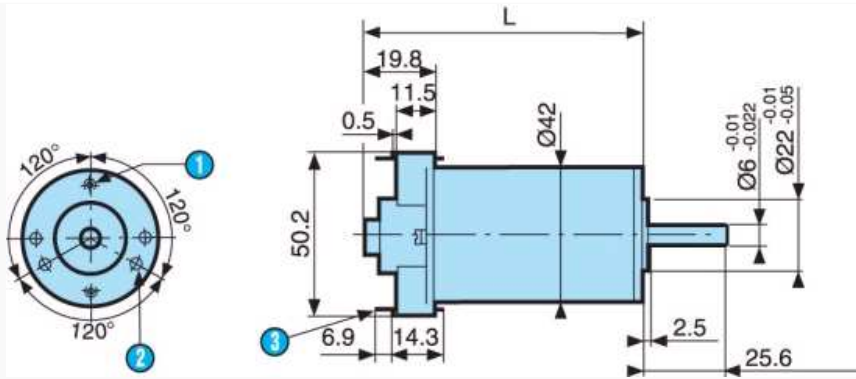
Output current (mA)	< 25 (25 °C)
Supply (V)	4,5 →30 DC
Ambient temperature (°C)	-40 →85 °C

Made to order products, available on request

- **Special interference suppression**
 - Other supply voltages
 - Motor with 1 ball bearing at front (essential for vertical motor)
 - Shaft lengths at front and/or rear
 - 5 pulses/revolution magnetic encoder
 - Reversible magnetic encoder (1 or 5 pulses/revolution)
 - Other fixing flanges on front

Dimensions (mm)

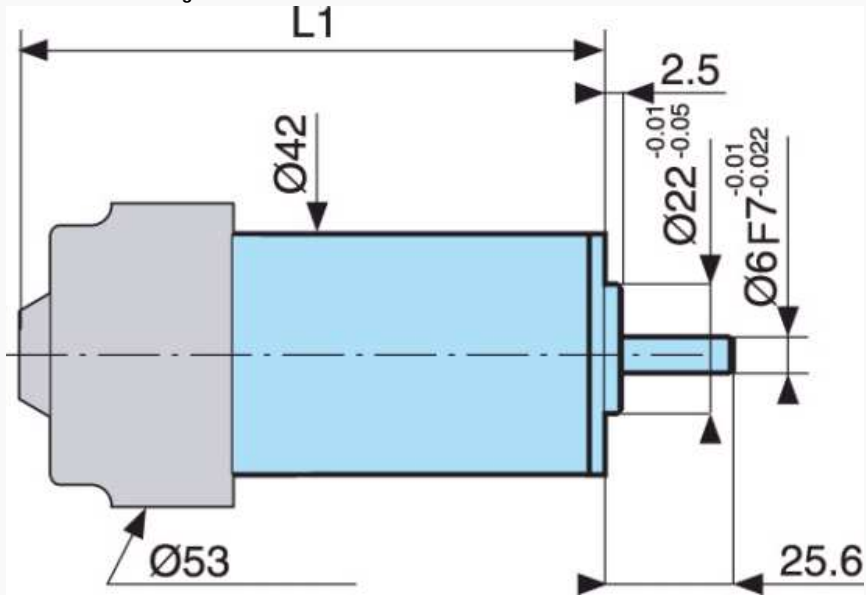
828000 - 828100



N°	Legend
1	2 x M3 at 180°, depth 5 mm over Ø 32
2	2 holes Ø 2.75 ±0.05 at 120° depth 5 mm Ø 32
3	2 tags IEC 760, series 4.8 x 0.5
	L : 828000 : 84.8 mm max.
	L : 828100 : 69.8 mm max.

Dimensions (mm)

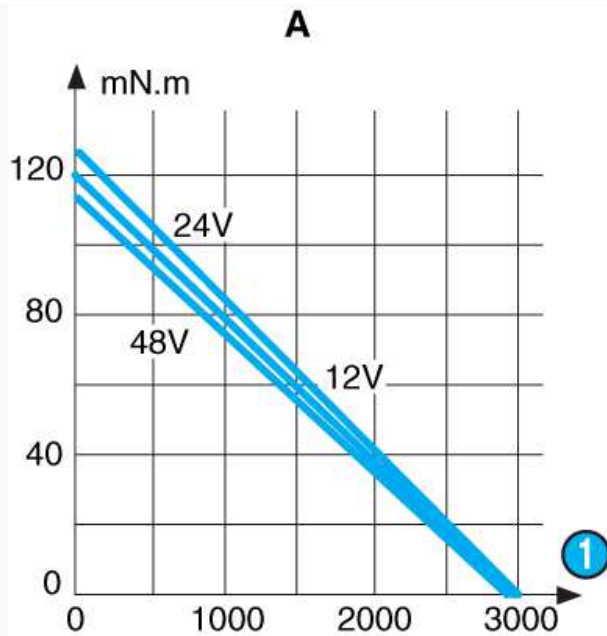
Dimensions with magnetic encoder



N°	Legend
	L1 : 828000 : 99.1 mm max.
	L1 : 828100 : 84.1 mm max.

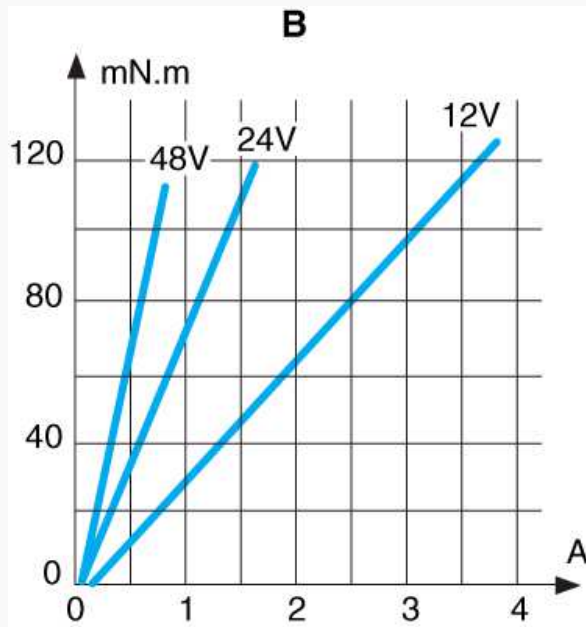
Curves

828100



N°	Legend
①	rpm
⊗	Torque/speed curve

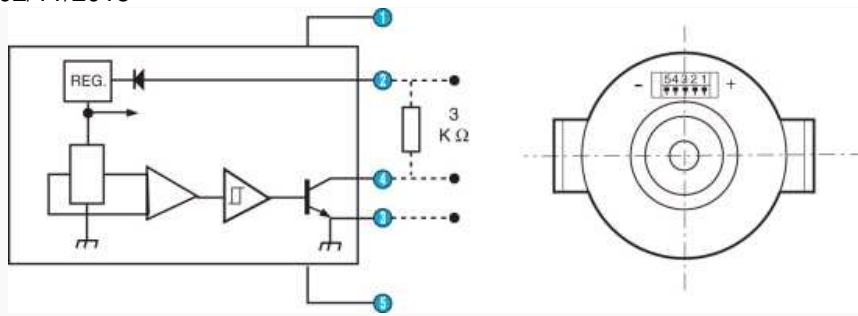
Curves
828100



N°	Legend
⊗	Torque/current curve

Connections

Encoder and connector : STOCKO MKS 3735-6-0-505



Part number of female connector to be used : STOCKO MKF 17-230 / 260 / 330 / 360

N°	Legend
1	Motor power supply
2	+5 → +24 V DC (encoder power supply)
3	0 V DC (encoder power supply)
4	Encoder signal output
5	Motor power supply

Product adaptations



- Special output shaft
- Pinion on output shaft
- Special supply voltage
- Special ball bearings
- Special mounting plate
- Special connections
- Encoder : 5, 200, 500 or 1000 pulses/revolution