



Chipsmall Limited consists of a professional team with an average of over 10 year of expertise in the distribution of electronic components. Based in Hongkong, we have already established firm and mutual-benefit business relationships with customers from,Europe,America and south Asia,supplying obsolete and hard-to-find components to meet their specific needs.

With the principle of “Quality Parts,Customers Priority,Honest Operation,and Considerate Service”,our business mainly focus on the distribution of electronic components. Line cards we deal with include Microchip,ALPS,ROHM,Xilinx,Pulse,ON,Everlight and Freescale. Main products comprise IC,Modules,Potentiometer,IC Socket,Relay,Connector.Our parts cover such applications as commercial,industrial, and automotives areas.

We are looking forward to setting up business relationship with you and hope to provide you with the best service and solution. Let us make a better world for our industry!



## Contact us

Tel: +86-755-8981 8866 Fax: +86-755-8427 6832

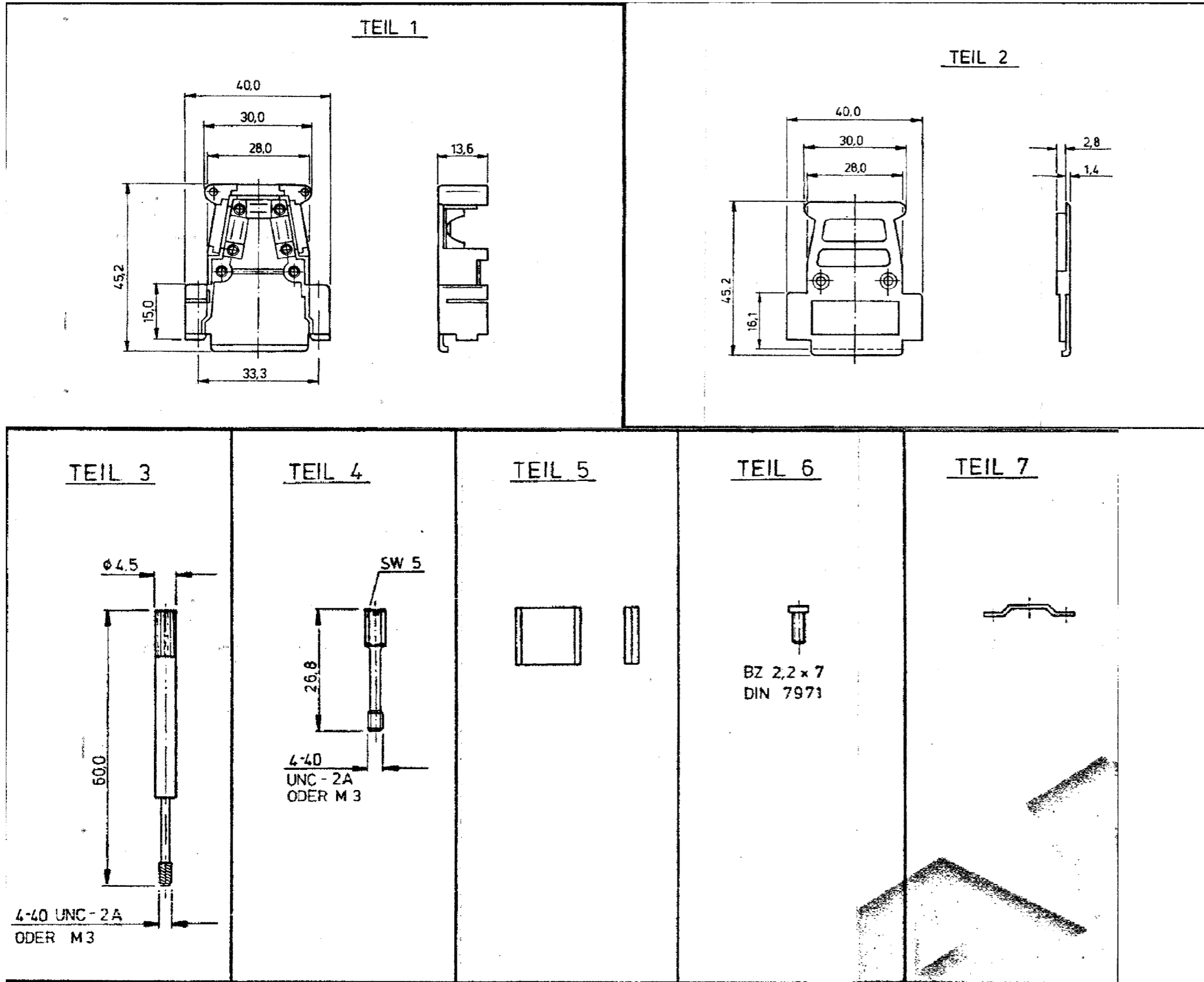
Email & Skype: info@chipsmall.com Web: www.chipsmall.com

Address: A1208, Overseas Decoration Building, #122 Zhenhua RD., Futian, Shenzhen, China



THIS DRAWING IS UNPUBLISHED. RELEASED FOR PUBLICATION  
 © COPYRIGHT 1987 BY TYCO ELECTRONICS CORPORATION. ALL RIGHTS RESERVED.

LOC	DIST	REVISIONS					
		P	LTR	DESCRIPTION	DATE	DWN	APVD
H	-	C3		EH01-0019-01	04-10-01	RF	-
		D		ECR-07-011550	22-08-07	BSV	KMA
		H		ECR-08-000115	16-01-08	BSV	KMA



- 9 ERSETZT DURCH 1- -6
- 8 ERSETZT DURCH 1- -5
- 7 ERSETZT DURCH - 6
- 6 ERSETZT DURCH - 5
- 5 ERSETZT DURCH - 4
- 4 PPO - GV SCHWARZ
- 3 WE 1, ZUSÄTZLICH LACKIERT MIT SILBERLACK
- 2 ABS. RUNDUM Ni ÜBER Cu
- 1 POLYCARBONAT GEFÜLLT MIT ALUMINIUM-FLOCKEN

MIT HEBE-SCHRAUBE LANG	MIT HEBE-SCHRAUBE KURZ	MIT HEBE-SCHRAUBE LANG	MIT HEBE-SCHRAUBE KURZ	MIT HEBE-SCHRAUBE LANG	MIT HEBE-SCHRAUBE KURZ	MIT HEBE-SCHRAUBE LANG	MIT HEBE-SCHRAUBE KURZ	MIT HEBE-SCHRAUBE LANG	MIT HEBE-SCHRAUBE KURZ	MIT HEBE-SCHRAUBE LANG	MIT HEBE-SCHRAUBE KURZ	OHNE HEBESCHRAUBE	MIT HEBE-SCHRAUBE LANG	MIT HEBE-SCHRAUBE KURZ	OHNE HEBESCHRAUBE	MIT HEBE-SCHRAUBE LANG	MIT HEBE-SCHRAUBE KURZ	OHNE HEBESCHRAUBE	
2	1	1	1	2	2	2	2	2	2	2	2	1	1	1	1	1	1	1	1
1	1	1	1	1	1	1	1	1	1	1	1	1	1	1	1	1	1	1	1
4	4	4	4	4	4	4	4	4	4	4	4	4	4	4	4	4	4	4	4
2	2	2	2	2	2	2	2	2	2	2	2	2	2	2	2	2	2	2	2
1	1	1	1	1	1	1	1	1	1	1	1	1	1	1	1	1	1	1	1
1	1	1	1	1	1	1	1	1	1	1	1	1	1	1	1	1	1	1	1
2--4	2--3	2--2	2--1	2--0	1--9	1--8	1--6	1--5	1--3	1--2	1--9	1--8	1--7	1--6	1--5	1--4	1--3	1--2	1--1

THIS DRAWING IS A CONTROLLED DOCUMENT.

DIMENSIONS: mm

TOLERANCES UNLESS OTHERWISE SPECIFIED:

0 PLC	±	-
1 PLC	±	-
2 PLC	±	-
3 PLC	±	-
4 PLC	±	-
ANGLES	±	-

MATERIAL: -

FINISH: -

WEIGHT: -

CUSTOMER DRAWING

DWN: 20NOV87

CHK: 07DEC87

APVD: -

PRODUCT SPEC: -

APPLICATION SPEC: -

SCALE: NTS

SHEET: 1 of 1

REV: H

Tyco Electronics Tyco Electronics Corporation s-HertogenBosch, Nederlands,

COVER FOR HD-20 15POLIG

SIZE: A2 CAGE CODE: 00779 DRAWING NO: C=828277

RESTRICTED TO: -