



Chipsmall Limited consists of a professional team with an average of over 10 year of expertise in the distribution of electronic components. Based in Hongkong, we have already established firm and mutual-benefit business relationships with customers from,Europe,America and south Asia,supplying obsolete and hard-to-find components to meet their specific needs.

With the principle of “Quality Parts,Customers Priority,Honest Operation,and Considerate Service”,our business mainly focus on the distribution of electronic components. Line cards we deal with include Microchip,ALPS,ROHM,Xilinx,Pulse,ON,Everlight and Freescale. Main products comprise IC,Modules,Potentiometer,IC Socket,Relay,Connector.Our parts cover such applications as commercial,industrial, and automotives areas.

We are looking forward to setting up business relationship with you and hope to provide you with the best service and solution. Let us make a better world for our industry!



Contact us

Tel: +86-755-8981 8866 Fax: +86-755-8427 6832

Email & Skype: info@chipsmall.com Web: www.chipsmall.com

Address: A1208, Overseas Decoration Building, #122 Zhenhua RD., Futian, Shenzhen, China



Ø 32 mm 3.9 Watts 3.9 W with tags Part number 82860004



- Nominal power : 3 W
- Versions with tag or lead connection
- Versions without filter or with standard filter or class B filter built into the motor
- Versions with or without encoder, 1 or 5 pulses per revolution, built into the motor

Part numbers

	Type	Type	Voltage	References
82860004	3.9 W with tags	82860	24 V	Varistor filter

Specifications

No-load characteristics

Speed of rotation (rpm)	5000
Absorbed power (W)	1,92
Absorbed current (A)	0,08

Nominal characteristics

Speed (rpm)	3700
Torque (mNm)	7,7
Usable power (W)	3
Absorbed power (W)	6
Absorbed current (A)	0,26
Gearbox case temperature rise (°C)	50
Efficiency (%)	50

General characteristics

Insulation class (conforming to IEC 85)	B (130 °C)
Protection rating	IP40
Max. output power (W)	3,9
Start torque (mNm)	30
Starting current (A)	0,76
Resistance (Ω)	32
Inductance (mH)	41,6
Torque constant (Nm/A)	0,0448
Electrical time constant (ms)	1,3
Mechanical time constant (ms)	36
Thermal time constant (mn)	8
Inertia (g.cm ²)	19
Weight (g)	95
Number of segments	3
Service life (h)	3000
Sintered bronze bearings	■
Leads connection 250 mm	-

Encoder characteristics

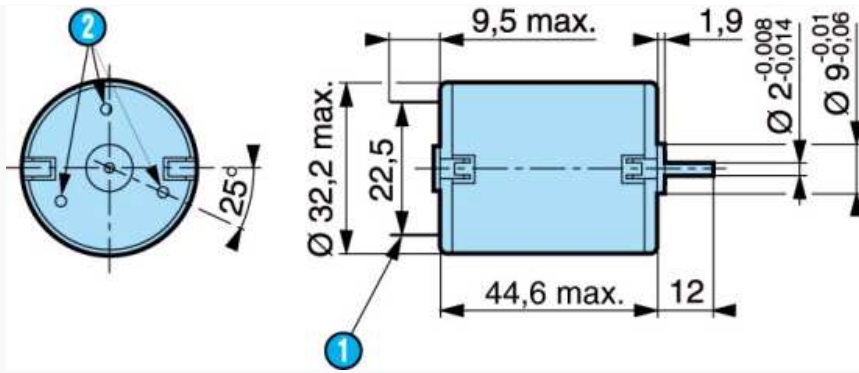
Connection	AWG24
Output current (mA)	< 20
Supply (V)	4,5 →30 DC

Made to order products, available on request

- Other supply voltages
- Motor with 2 ball bearings
- Shaft lengths at front and/or rear
- Lead outputs or radial tag terminals
- Special interference suppression
- Encoder : 5 pulses/rev

Dimensions (mm)

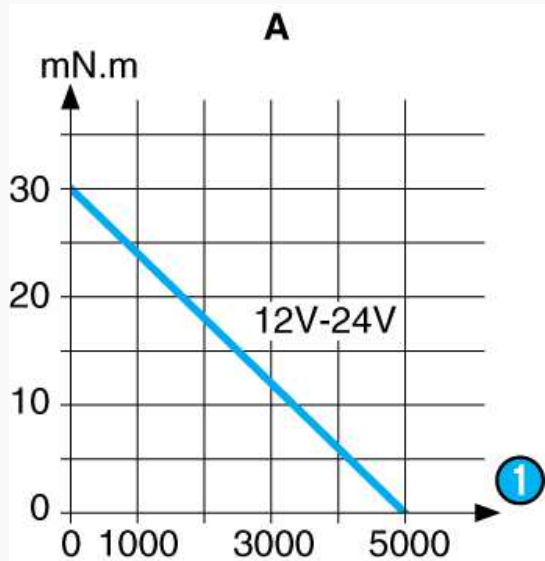
82 860 0 without encoder



N°	Legend
1	3 holes at 120 °C over Ø 26 mm : use self-tapping M2.2 screws ; screw depth max. 6 mm
2	2 tags NFC 20 - 120, series 2.8 x 0.5

Curves

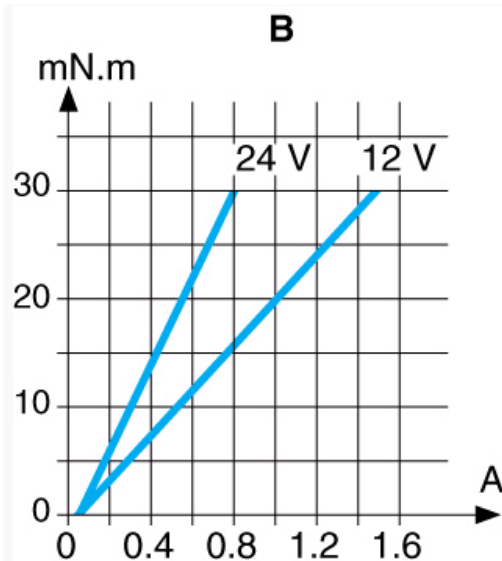
82860




N°	Legend
1	rpm
	Torque/nominal speed curve
Torque/nominal speed curves	
Torque/current curves	

Curves

82860



N°	Legend
	Torque/current curve

Product adaptations



- Special output shaft
- Pinion on output shaft
- Special supply voltage
- Special cable length
- Special ball bearings
- Special mounting plate
- Customised electronics
- Special connectors
- Shorter 1 W motor