



Chipsmall Limited consists of a professional team with an average of over 10 year of expertise in the distribution of electronic components. Based in Hongkong, we have already established firm and mutual-benefit business relationships with customers from,Europe,America and south Asia,supplying obsolete and hard-to-find components to meet their specific needs.

With the principle of “Quality Parts,Customers Priority,Honest Operation,and Considerate Service”,our business mainly focus on the distribution of electronic components. Line cards we deal with include Microchip,ALPS,ROHM,Xilinx,Pulse,ON,Everlight and Freescale. Main products comprise IC,Modules,Potentiometer,IC Socket,Relay,Connector.Our parts cover such applications as commercial,industrial, and automotives areas.

We are looking forward to setting up business relationship with you and hope to provide you with the best service and solution. Let us make a better world for our industry!



Contact us

Tel: +86-755-8981 8866 Fax: +86-755-8427 6832

Email & Skype: info@chipsmall.com Web: www.chipsmall.com

Address: A1208, Overseas Decoration Building, #122 Zhenhua RD., Futian, Shenzhen, China



5 Nm RC65 3.9 Watts 3.9 W Part number made to order



- Torque rating of gearboxes : 5 Nm, metal gears
- Motors : nominal power 3 W / interference suppression for standard stocked products
- Speed range : 1.7 to 344 rpm
- Optional encoder built into the motor

Part numbers

| | Type | Type | Voltage | Output speed (rpm) | Ratios (i) |
|----------------------|-------|--------|---------|--------------------|------------|
| MADE TO ORDER | 3.9 W | 828670 | 24 V | 1,72 | 2500 |

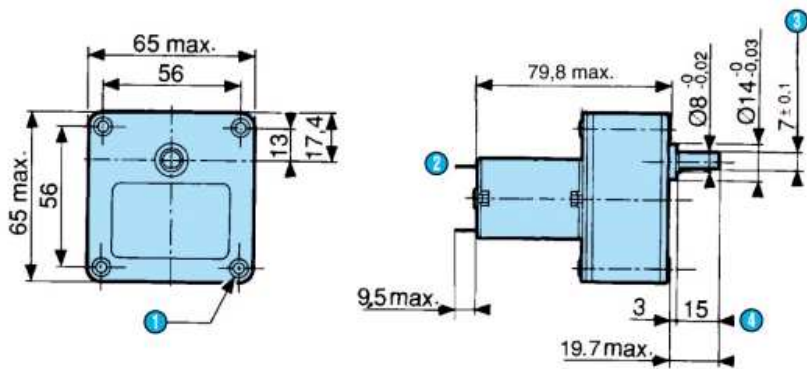
Specifications

General characteristics

| | |
|--|--------|
| Motor | 828600 |
| Gearbox | 810370 |
| Maximum permitted torque from gearmotor under continuous conditions for 1 million turns (Nm) | 5 |
| Axial load dynamic (daN) | 2 |
| Radial load dynamic (daN) | 3 |
| Max. output power (W) | 3,9 |
| Nominal output (W) | 3 |
| Gearbox case temperature rise (°C) | 50 |
| Weight (g) | 465 |

Dimensions (mm)

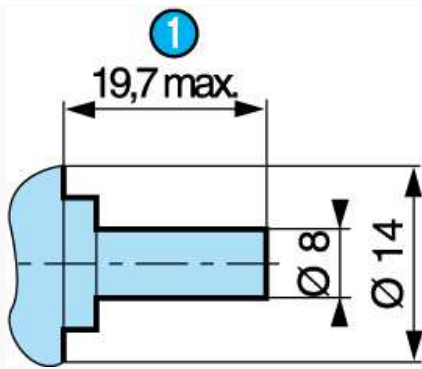
828670



| N° | Legend |
|----|---|
| 1 | 4 fixing holes Ø M4 x 12 |
| 2 | 2 standard tags NFC 20-120, series 2.8 x 0.5 mm |
| 3 | 7 ± 0.1 across flats |
| 4 | Shaft pushed-in |

Dimensions (mm)

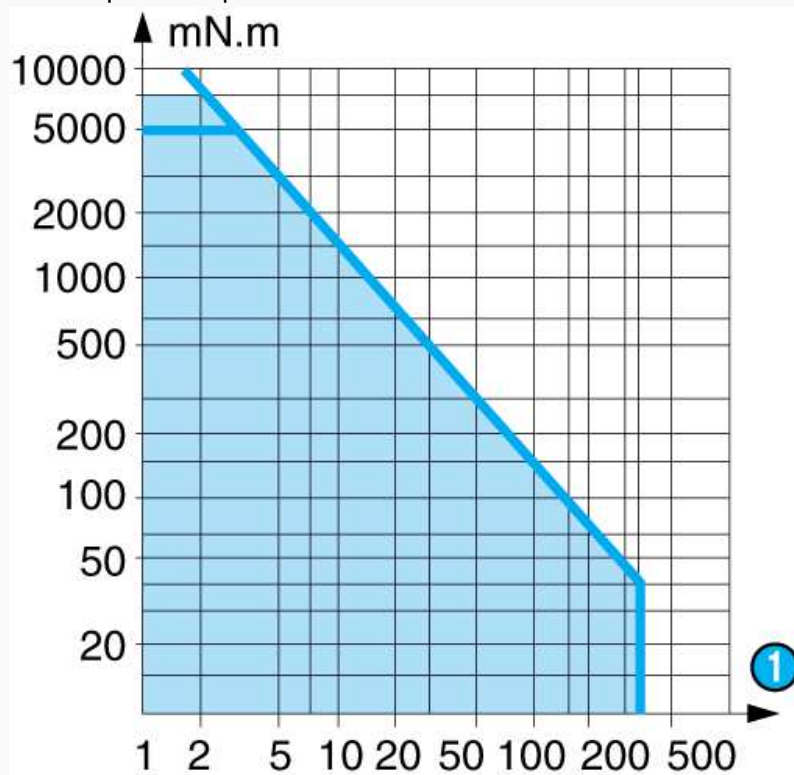
Shaft 79206478



| N° | Legend |
|----|-----------------|
| 1 | Shaft pushed-in |

Curves

Curve : torque/nominal speed



| N° | Legend |
|----|--------|
| 1 | rpm |

Product adaptations



- Special supply voltage
- Lead output
- 1 or 5 pulse Hall effect encoder
- Special connectors
- Special shaft
- Special reduction ratio (40 ratios available from 4 to 3750)
- Special materials for gears
- Special ball bearings
- Special adaptor plate
- EMC filter
- With shorter 1 W motor