



Chipsmall Limited consists of a professional team with an average of over 10 year of expertise in the distribution of electronic components. Based in Hongkong, we have already established firm and mutual-benefit business relationships with customers from,Europe,America and south Asia,supplying obsolete and hard-to-find components to meet their specific needs.

With the principle of "Quality Parts,Customers Priority,Honest Operation,and Considerate Service",our business mainly focus on the distribution of electronic components. Line cards we deal with include Microchip,ALPS,ROHM,Xilinx,Pulse,ON,Everlight and Freescale. Main products comprise IC,Modules,Potentiometer,IC Socket,Relay,Connector.Our parts cover such applications as commercial,industrial, and automotives areas.

We are looking forward to setting up business relationship with you and hope to provide you with the best service and solution. Let us make a better world for our industry!



Contact us

Tel: +86-755-8981 8866 Fax: +86-755-8427 6832

Email & Skype: info@chipsmall.com Web: www.chipsmall.com

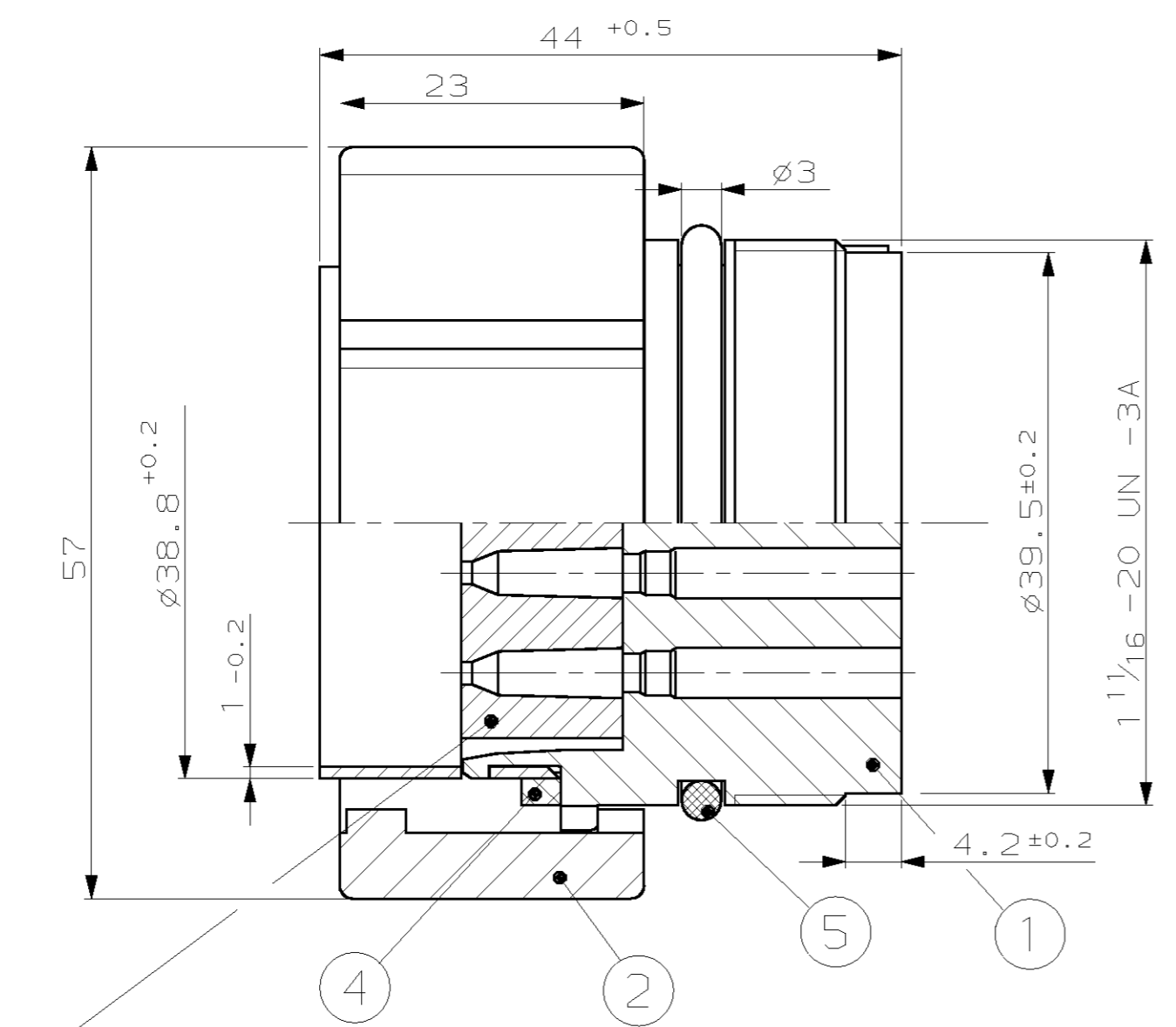
Address: A1208, Overseas Decoration Building, #122 Zhenhua RD., Futian, Shenzhen, China



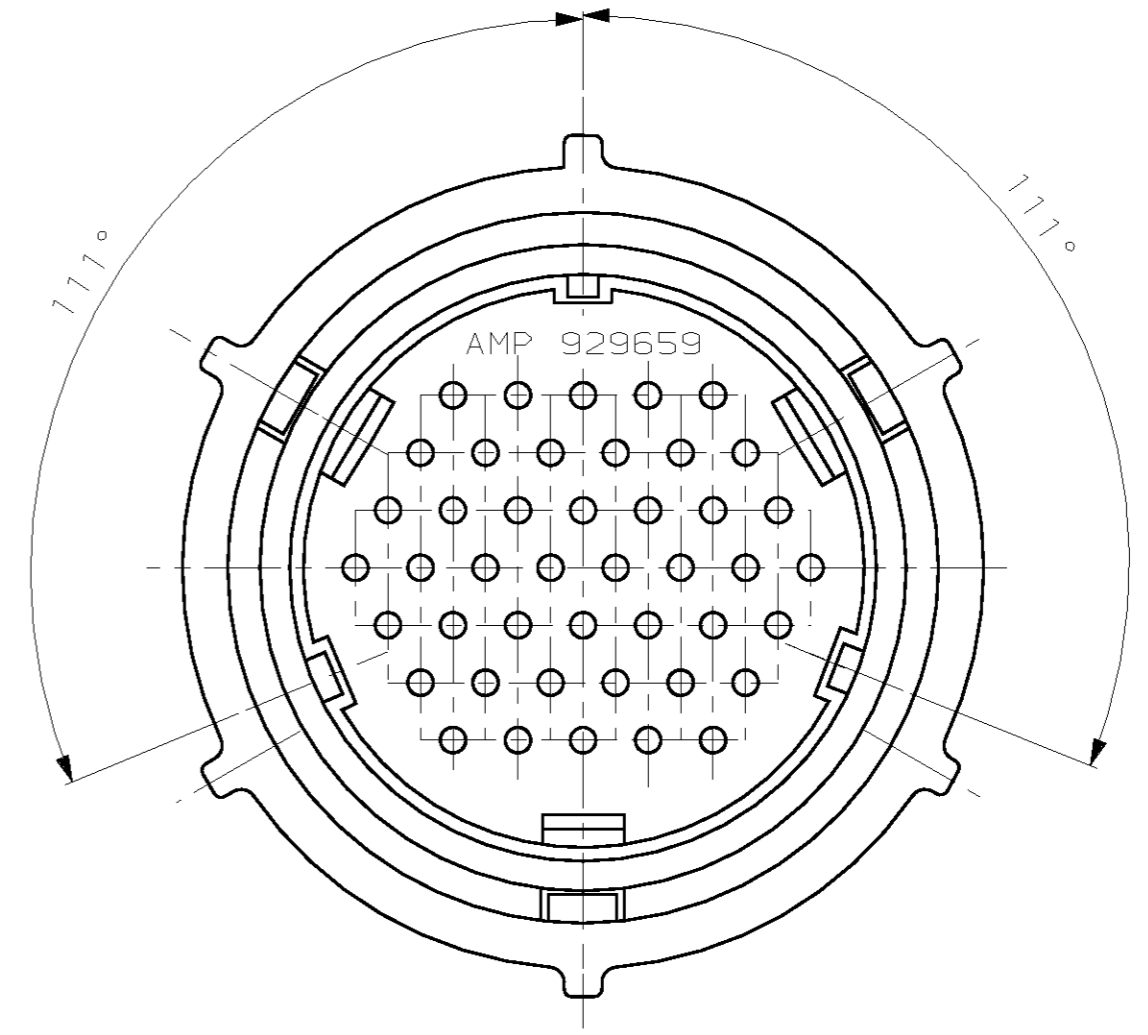
THIS DRAWING IS UNPUBLISHED. VERTRÄULICHE UNVERÖFFENTLICHTE ZEICHNUNG. RELEASED FOR PUBLICATION. FREI FÜR VERÖFFENTLICHUNG. 15.11.1993. MATED WITH. PASSEND ZU: 828897

© COPYRIGHT 1997 BY AMP INCORPORATED. ALLE RECHTE VORBEHALTEN.

LOC	DIST	REVISIONS		
AI	-	ÄNDERUNGEN	DATE	DWN
PROJEKT NR.:		BESCHREIBUNG		APVD
87-9436		FORMAT A2 WA5 A3, Revision:B WA5 4 AND NOTES	04.03.97	Kiltz
		Format A2 war A3, Revision:B war 4 und Bemerkungen		Haß



3 CENTRING PART FOR DEMOUNTING
Zentriereinsatz demontierbar



ORDER NO. / BESTELL-NR.	POS.	QTY. / STÜCK	DESCRIPTION / BENENNUNG EINZELTEIL	MATERIAL / WERKSTOFF	SURFACE / OBERFLÄCHE / COLOUR / FARBE
828895-1	5	1	O-RING/O-Ring	Si	REDBROWN/rotbraun
	4	1	SEAL/Dichtung	Si	NATURE/natur
	3	1	CENTRING PART/Zentriereinsatz	PBTP	BLACK/schwarz
	2	1	CLUTCH RING/Kupplungsring	PBTP	BLACK/schwarz
	1	1	PIN HOUSING/Stiftgehäuse	PBTP	BLACK/schwarz

<small>THIS DRAWING IS A CONTROLLED DOCUMENT FOR AMP INCORPORATED. IT IS SUBJECT TO CHANGE AND THE CONTROLLING ENGINEERING ORGANIZATION SHOULD BE CONTACTED FOR THE LATEST REVISION. DIESSES ZEICHNUNGSDOKUMENT WIRD DURCH AMP INCORPORATED KONTROLLIERT. ÄNDERUNGEN, DIE DEM TECHNISCHEN FORTSCHRITT DIENEN, SIND VORBEHALTEN. DEN JEWELNS LETZTLIESTIGEN ÄNDERUNGSSTAND ERFAHREN SIE AUF ANFRAGE.</small>	
DIMENSIONS: mm	TOLERANCES UNLESS OTHERWISE SPECIFIED: ALLGEMEINTOLERANZEN n. Tolerierung ISO 8015
0 PLC ±0.3mm 1 PLC ±0.3mm 2 PLC ± 3 PLC ±	ANGLES/WINKEL ±1.5° FINISH/OBERFLÄCHE/FARBE
MATERIAL SEE LIST siehe Liste	FINISH/OBERFLÄCHE/FARBE SEE LIST siehe Liste

DWN	04.03.97
CHK	A.Kiltz
APVD	04.03.97
PRODUCT SPEC	J.Granzow
PRODUCT SPEC	J.Haß
APPLICATION SPEC	
VERARBEITUNGSSPEZ.	
WEIGHT	
GEWICHT	

AMP AMP Deutschland GmbH D - 63225 Langen	
PIN HOUSING 44POS. CPL. Stiftgehäuse 44pol. kpl.	
SIZE	CAGE CODE
A2	00779
DRAWING NO. / ZEICHNUNGS-NR.	RESTRICTED TO / NUR FÜR
C-828895	
SCALE / MAßSTAB	SHEET / BLATT
2:1	1 OF 1
REV	B