



Chipsmall Limited consists of a professional team with an average of over 10 year of expertise in the distribution of electronic components. Based in Hongkong, we have already established firm and mutual-benefit business relationships with customers from,Europe,America and south Asia,supplying obsolete and hard-to-find components to meet their specific needs.

With the principle of “Quality Parts,Customers Priority,Honest Operation,and Considerate Service”,our business mainly focus on the distribution of electronic components. Line cards we deal with include Microchip,ALPS,ROHM,Xilinx,Pulse,ON,Everlight and Freescale. Main products comprise IC,Modules,Potentiometer,IC Socket,Relay,Connector.Our parts cover such applications as commercial,industrial, and automotives areas.

We are looking forward to setting up business relationship with you and hope to provide you with the best service and solution. Let us make a better world for our industry!



Contact us

Tel: +86-755-8981 8866 Fax: +86-755-8427 6832

Email & Skype: info@chipsmall.com Web: www.chipsmall.com

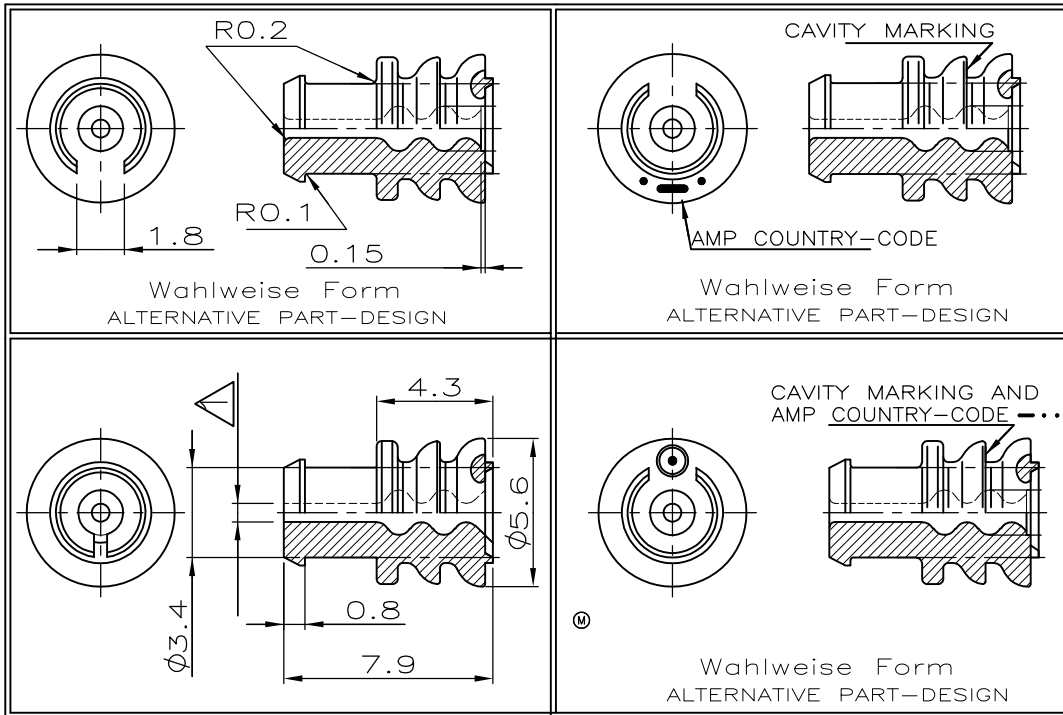
Address: A1208, Overseas Decoration Building, #122 Zhenhua RD., Futian, Shenzhen, China



ANDERUNGEN, DIE DEM TECHNISCHEN FORTSCHRITT DIENEN, BEHALTEN WIR UNS VOR	LOC	DIST
NUMMER 828904		
VERWENDET FÜR		
WAR NR. 87-9398-50		

REVISIONS				
P	LTR	DESCRIPTION	DATE	APVD
	M2	REVISED PER ECO-11-005150	21MAR11	RK HMR

M1:1



- ④ Verpackt in Kunststoff-Beutel zu 5 000 Teilen
PACKAGING IN PLASTIC BAG: QTY 5 000 PIECES
- ③ Verpackt in Kunststoff-Beutel zu 10 000 Teilen
PACKAGING IN PLASTIC BAG: QTY 10 000 PIECES
- ② Verpackt in Kunststoff-Beutel zu 1 000 Teilen
PACKAGING IN PLASTIC BAG: QTY 1 000 PIECES
- ① Für Isolationsø 1.2-2.1 mm

828904-3	④	M	SILICON SHORE A 50* lubriziert	hellblau
828904-2	③	M		
828904-1	②	M		
BESTELL-NR.	REV	WERKSTOFF	OBERFLÄCHE	
			FARBE	

CAD-ORIGINAL
ZEICHNUNG NICHT ÄNDERN

ZEICHNUNG GÜLTIG AB

DIMENSIONS: mm	DWN	H. Bouda	16 MAY 88	MATERIAL	-	FINISH	-
	CHK	W. PFEFFER	17 MAY 88	TE Connectivity			
TOLERANCES UNLESS OTHERWISE SPECIFIED:	APVD	-	-				
	0 PLC	± -	PRODUCT SPEC	-	Einzeldichtung (DIA 5.6)		
1 PLC	± 0.3	APPLICATION SPEC	-	SIZE	A4	CAGE CODE	00779
2 PLC	± -	WEIGHT	-	DRAWING NO	C-828904		RESTRICTED TO
3 PLC	± -			CUSTOMER DRAWING			SCALE
4 PLC	± -						5:1
ANGLES	± -						SHEET
							1 OF 1
							REV
							M2

THIS DRAWING IS UNPUBLISHED. ALL RIGHTS RESERVED. RELEASED FOR PUBLICATION