



Chipsmall Limited consists of a professional team with an average of over 10 year of expertise in the distribution of electronic components. Based in Hongkong, we have already established firm and mutual-benefit business relationships with customers from,Europe,America and south Asia,supplying obsolete and hard-to-find components to meet their specific needs.

With the principle of “Quality Parts,Customers Priority,Honest Operation,and Considerate Service”,our business mainly focus on the distribution of electronic components. Line cards we deal with include Microchip,ALPS,ROHM,Xilinx,Pulse,ON,Everlight and Freescale. Main products comprise IC,Modules,Potentiometer,IC Socket,Relay,Connector.Our parts cover such applications as commercial,industrial, and automotives areas.

We are looking forward to setting up business relationship with you and hope to provide you with the best service and solution. Let us make a better world for our industry!



## Contact us

Tel: +86-755-8981 8866 Fax: +86-755-8427 6832

Email & Skype: info@chipsmall.com Web: www.chipsmall.com

Address: A1208, Overseas Decoration Building, #122 Zhenhua RD., Futian, Shenzhen, China

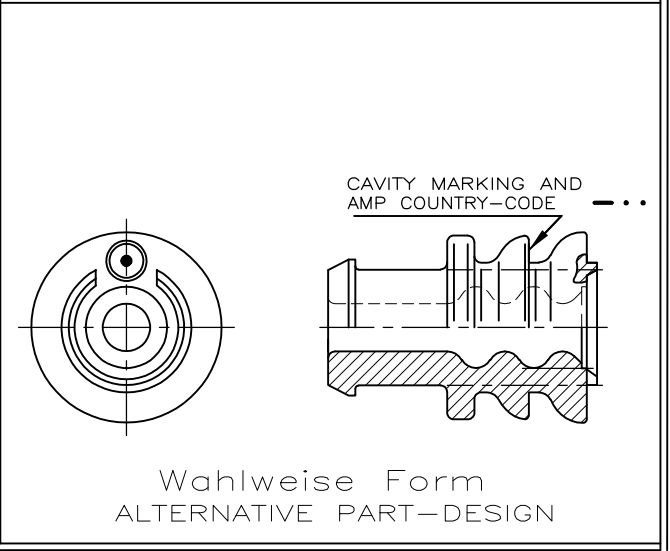
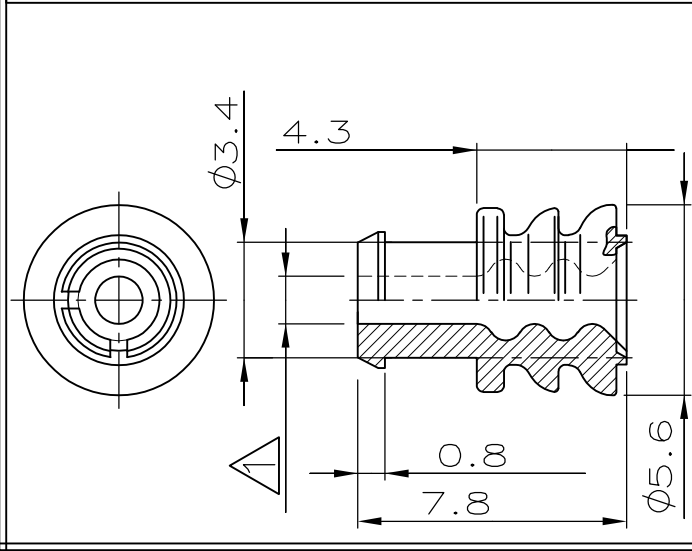
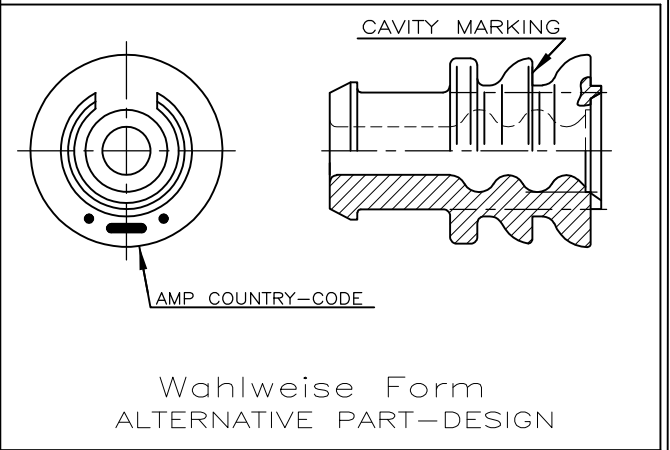
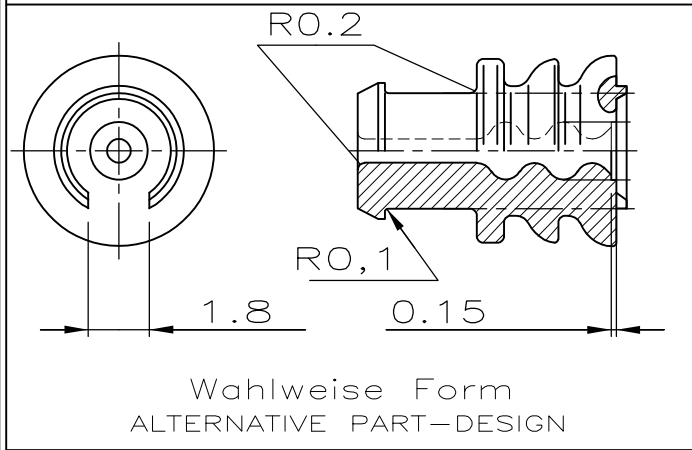


LOC	DIST	REVISIONS ÄNDERUNGEN			DATE	DWN	APVD
—	—	P	LTR	DESCRIPTION BESCHREIBUNG	28DEC11	RK	HMR
		J2		REVISED PER ECR-11-025934			

VERWENDET FÜR  
—  
WAR NR. 87-9398-51

ÄNDERUNGEN, DIE DEM  
TECHNISCHEN FORT-  
SCHRITT DIENEN, BE-  
HALTEN WIR UNS VOR

  
M1:1




1 Für Isolationsø 2.2-3.0 mm

THIS DRAWING IS UNPUBLISHED. VERTRÄGLICHE UNVERÖFFENTLICHTE ZEICHNUNG.  
 ALL RIGHTS RESERVED.

828905-1	J	SILICON SHORE A 50' lubriziert	weiß
BESTELL-NR.	REV	WERKSTOFF	OBERFLÄCHE FARBE

CAD-ORIGINAL  
ZEICHNUNG NICHT ÄNDERN

ZEICHNUNG GÜLTIG AB .....

DIMENSIONS: MASSEINHEITEN mm	DWN	H.Bouda	16. MAY 88	MATERIAL	SILICON	FINISH OBERFLAECHE/FARBE	—
	CHK	W.PFEFFER	17. MAY 88	 TE Connectivity			
TOLERANCES UNLESS OTHERWISE SPECIFIED: ALLGEMEINTOLERANZEN	APVD	—	—				
	PRODUCT SPEC PRODUKTSPEZ.	—	—	Einzeldichtung (DIA 5.6)			
0 PLC ± —	APPLICATION SPEC VERARBEITUNGSSPEZ.	—	—	SIZE	A4	CAGE CODE	00779
1 PLC ± 0.3 mm	WEIGHT GEWICHT	—	—	DRAWING NO ZEICHNUNGS-NR.	C-828905		RESTRICTED TO NUR FUER
2 PLC ± —		—	—	CUSTOMER DRAWING / KUNDENZEICHNUNG		SCALE MASSSTAB	5:1
3 PLC ± —	—		—		SHEET BLATT	1 OF VON 1	REV
4 PLC ± —	—		—		J2		
ANGLES/WINKEL ± —	—		—		—		