



Chipsmall Limited consists of a professional team with an average of over 10 year of expertise in the distribution of electronic components. Based in Hongkong, we have already established firm and mutual-benefit business relationships with customers from,Europe,America and south Asia,supplying obsolete and hard-to-find components to meet their specific needs.

With the principle of "Quality Parts,Customers Priority,Honest Operation,and Considerate Service",our business mainly focus on the distribution of electronic components. Line cards we deal with include Microchip,ALPS,ROHM,Xilinx,Pulse,ON,Everlight and Freescale. Main products comprise IC,Modules,Potentiometer,IC Socket,Relay,Connector.Our parts cover such applications as commercial,industrial, and automotives areas.

We are looking forward to setting up business relationship with you and hope to provide you with the best service and solution. Let us make a better world for our industry!



Contact us

Tel: +86-755-8981 8866 Fax: +86-755-8427 6832

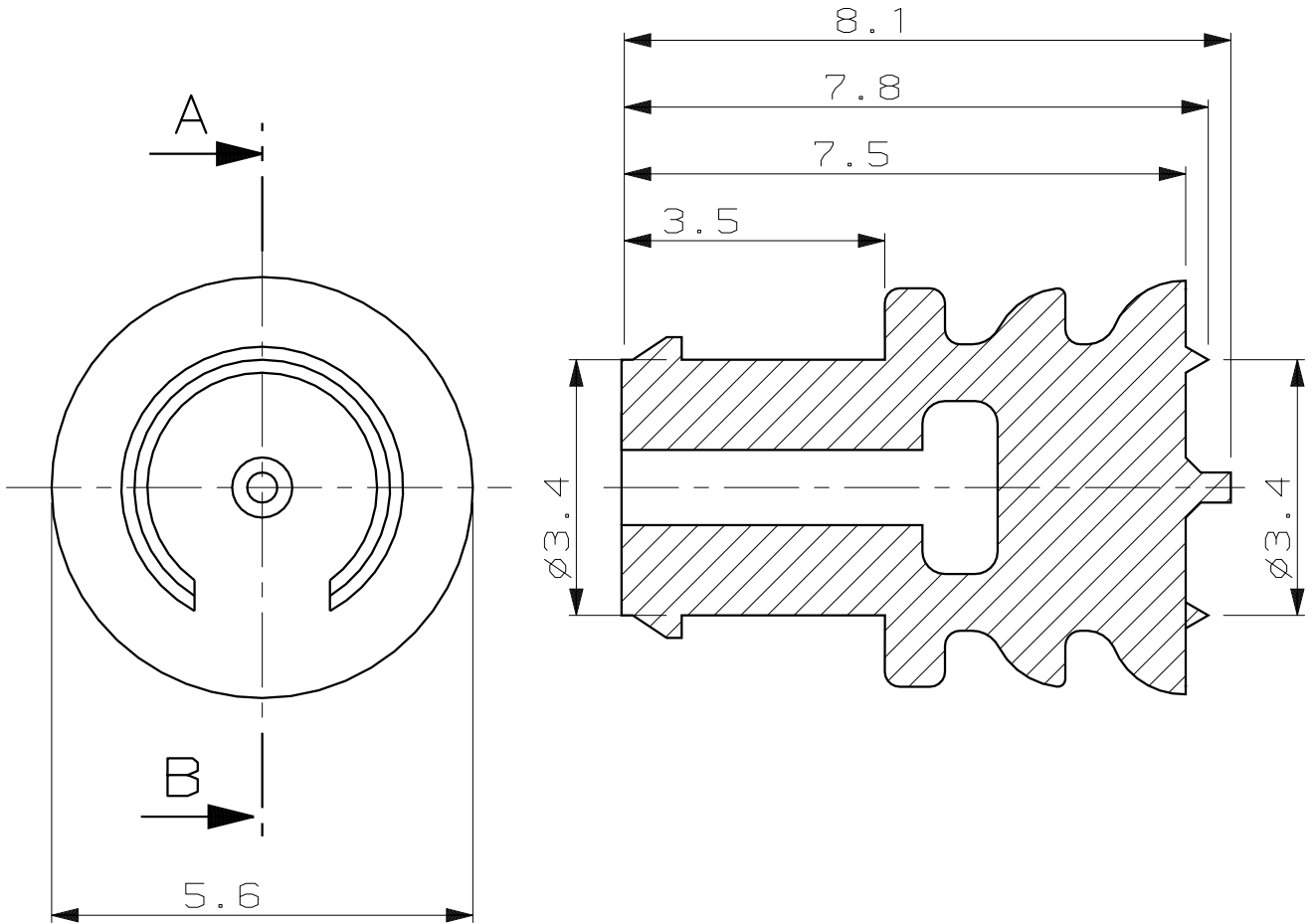
Email & Skype: info@chipsmall.com Web: www.chipsmall.com

Address: A1208, Overseas Decoration Building, #122 Zhenhua RD., Futian, Shenzhen, China



RELEASED FOR PUBLICATION
 FREI FUER VEROEFFENTLICHUNG
 VERTRÄULICHE UNVERÖFFENTLICHTE ZEICHNUNG.
 BY AMP INCORPORATED. ALL RIGHTS RESERVED. ALLE RECHTE VORBEHALTEN.
 COPYRIGHT 1992

MATED WITH: PASSEND ZU:	LOC	DIST	REVISIONS AENDERUNGEN					
-	AI	-	P	LTR	DESCRIPTION BESCHREIBUNG	DATE	DWN	APVD
PROJEKT NR.: -				F1	SEE PCN EG00-2915-02-1	05-SEP-02	M.K.	-
				F2	SEE PCN E-06-016258	05-JUL-06	M.K.	G.M.



REMARKS

Bemerkungen

- Fester Sitz in der $\varnothing 5$ mm Kammer nicht gewährleistet, individuell überprüfen. Vorzugsweise PN 828922 verwenden.
 TIGHT SEAT IN THE $\varnothing 5$ MM CAVITY NOT ENSURED, INDIVIDUALLY EXAMINE. PREFERRED USE PN 828922.

-	828906-2	E	-	SILICONE SHORE A 50° WITH 1.0% OIL	brown	CAVITY PLUG	-
-	828906-1	E	-	SILICONE SHORE A 50° WITHOUT OIL	red	CAVITY PLUG	-
CUSTOMER PART NO	AMP PART NO	REV.	PCS.	MATERIAL	SURFACE COLOR	DESCRIPTION	ITEM NO

DIMENSIONS: DIMENSIONEN: mm	DWN Lutsch 19.03.92	MATERIAL	FINISH OBERFLAECHE/FARBE	-
TOLERANCES UNLESS OTHERWISE SPECIFIED: ALLGEMEINTOLERANZEN	CHK F.Kourimsky 19.03.92	tyco Electronics AMP GmbH D - 64625 Bensheim		
n.p. 150 8015 p.p. 150 2768 - mH -E p. DIN 16901 - 140	APVD -	NAME Blindstopfen CAVITY PLUG		
0 PLC ± 0.3 mm 1 PLC ± 0.3 mm 2 PLC \pm 3 PLC \pm	PRODUCT SPEC PRODUKTSPEZ. -	SIZE A4	CAGE CODE 00779	DRAWING NO ZEICHNUNGS-NR. C-828906
ANGLES/WINKEL \pm	APPLICATION SPEC VERARBEITUNGSSPEZ. -	RESTRICTED TO NUR FUER		-
	WEIGHT GEWICHT -	CUSTOMER DRAWING / KUNDENZEICHNUNG MASSSTAB 10:1 BLATT 1 OF 1 VON 1 REV F2		