



Chipsmall Limited consists of a professional team with an average of over 10 year of expertise in the distribution of electronic components. Based in Hongkong, we have already established firm and mutual-benefit business relationships with customers from,Europe,America and south Asia,supplying obsolete and hard-to-find components to meet their specific needs.

With the principle of “Quality Parts,Customers Priority,Honest Operation,and Considerate Service”,our business mainly focus on the distribution of electronic components. Line cards we deal with include Microchip,ALPS,ROHM,Xilinx,Pulse,ON,Everlight and Freescale. Main products comprise IC,Modules,Potentiometer,IC Socket,Relay,Connector.Our parts cover such applications as commercial,industrial, and automotives areas.

We are looking forward to setting up business relationship with you and hope to provide you with the best service and solution. Let us make a better world for our industry!



## Contact us

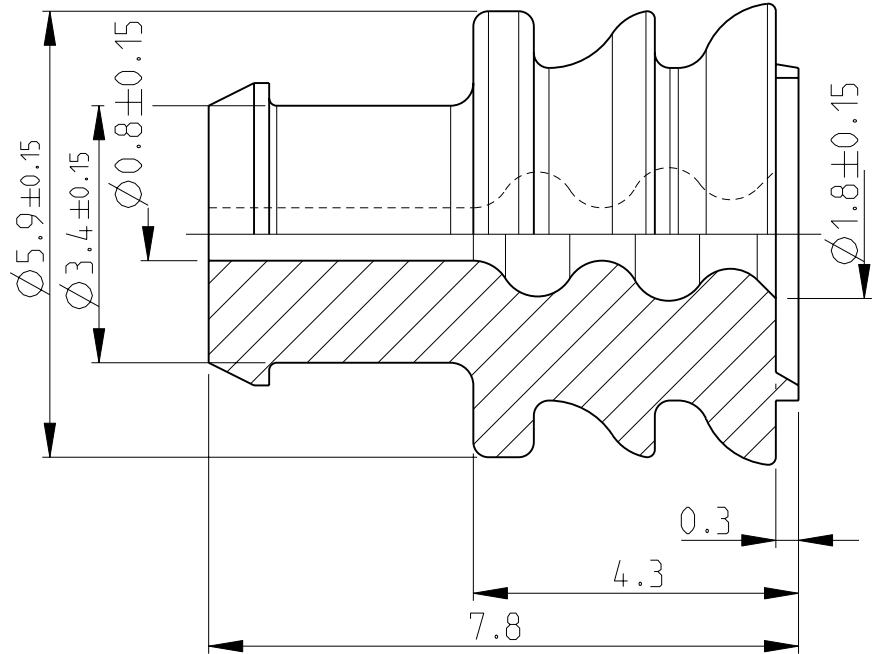
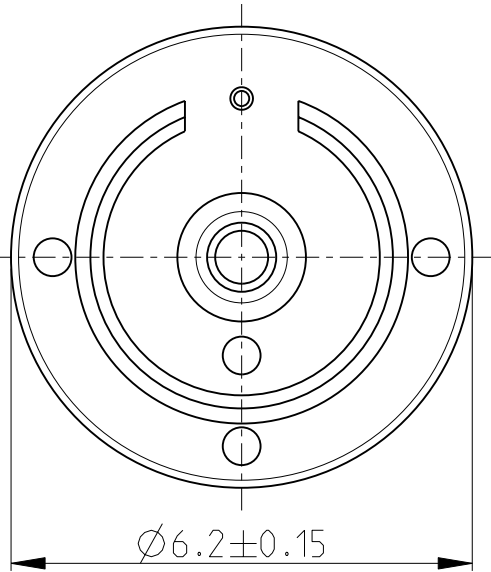
Tel: +86-755-8981 8866 Fax: +86-755-8427 6832

Email & Skype: info@chipsmall.com Web: www.chipsmall.com


Address: A1208, Overseas Decoration Building, #122 Zhenhua RD., Futian, Shenzhen, China



LOC	DIST	REVISIONS					
AI	-	P	LTR	DESCRIPTION	DATE	DWN	APVD
			M8	REVISED PER ECO-11-005150	31MAR2011	RK	HMR





BEMERKUNGEN  
NOTES

- Einzelheiten der Ausfuehrung bleiben dem hersteller ueberlassen  
DETAILS OF DESIGN ARE LEFT TO MANUFACTURER
- Passend fuer Drahtgroessenbereich: 0.35-1mm<sup>2</sup>  
SUITABLE FOR WIRE SIZE RANGE:  1:1
- Passend fuer Isolationsdurchmesser: 1.2-2mm  
SUITABLE FOR INSULATION DIAMETER:
- Bestueckungshilfe fuer Einzelleiterabdichtung siehe: TE Connectivity: 965702  
INSERTER FOR SINGLE WIRE SEAL SEE:
- Keine Luftloecher zulaessig  
NO AIR BUBBLES PERMITTED

828920-2	M	DARK BLUE	VMQ-50, SILICON OIL FREE
828920-1	M	GREY	VMQ-50, 50% SELF-LUBRICATING
PART NO.	REV.	COLOUR	MATERIAL

RELEASED FOR PUBLICATION  
ALL RIGHTS RESERVED.  
THIS DRAWING IS UNPUBLISHED.  
COPYRIGHT -

DIMENSIONS: mm	DWN Gaupp, P. 17APR1997	MATERIAL	SEE TABLE	FINISH	-
TOLERANCES UNLESS OTHERWISE SPECIFIED: DIN 16901-160	CHK Kuempel, D. 21APR1997	 TE Connectivity			
0 PLC ±	APVD -				
1 PLC ±	PRODUCT SPEC	NAME			
2 PLC ±	108-18263-1	RUBBER PLUG DIA. 2,5mm SYSTEM			
3 PLC ±	APPLICATION SPEC	SIZE	CAGE CODE	DRAWING NO	RESTRICTED TO
4 PLC ±	114-18031	A 4	00779	©-828920	-
ANGLES ±°	WEIGHT -	CUSTOMER DRAWING			
		SCALE	10:1	SHEET	1 OF 1
					REV M8