



Chipsmall Limited consists of a professional team with an average of over 10 year of expertise in the distribution of electronic components. Based in Hongkong, we have already established firm and mutual-benefit business relationships with customers from,Europe,America and south Asia,supplying obsolete and hard-to-find components to meet their specific needs.

With the principle of “Quality Parts,Customers Priority,Honest Operation,and Considerate Service”,our business mainly focus on the distribution of electronic components. Line cards we deal with include Microchip,ALPS,ROHM,Xilinx,Pulse,ON,Everlight and Freescale. Main products comprise IC,Modules,Potentiometer,IC Socket,Relay,Connector.Our parts cover such applications as commercial,industrial, and automotives areas.

We are looking forward to setting up business relationship with you and hope to provide you with the best service and solution. Let us make a better world for our industry!



Contact us

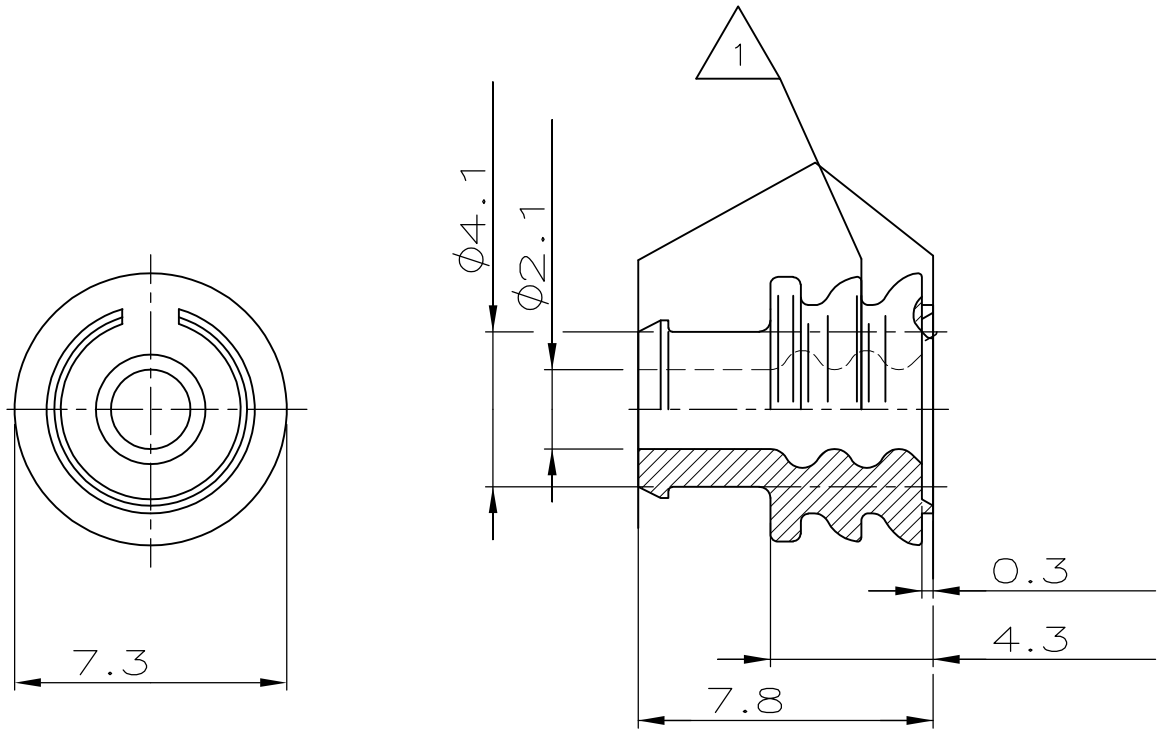
Tel: +86-755-8981 8866 Fax: +86-755-8427 6832

Email & Skype: info@chipsmall.com Web: www.chipsmall.com

Address: A1208, Overseas Decoration Building, #122 Zhenhua RD., Futian, Shenzhen, China



MATED WITH: PASSEND ZU: —	LOC A1	DIST —	REVISIONS					
			P	LTR	DESCRIPTION	DATE	DWN	APVD
PROJECT NR.: 87-9187			D8		REVISED PER ECR-11-025934	29DEC11	RK	HMR



Bemerkungen

NOTES

- 1 Werkzeugtrenngrat max. 0.5 hoch und 0.02 dick zulässig
(sonst kein Grat zulässig)
BURRS MAX. 0.5 HIGH AND 0.02 THICK PERMITTED
(NO BURRS ELSE PERMITTED)
- 2 Einzelheiten der Ausführung bleiben dem Hersteller überlassen
DETAILS OF DESIGN ARE LEFT TO MANUFACTURER
- 3 Passend für Kammer: $\phi 6.4\text{mm}$
SUITABLE FOR CAVITY: $\phi 6.4\text{mm}$
- 4 Passend für Isolationsdurchmesser: 3 - 3.7mm
SUITABLE FOR INSULATION DIAMETER: 3 - 3.7mm
- 5 Bestückungshilfe für Einzelleiterabdichtung siehe: TE CONNECTIVITY:965702
INSERTER FOR SINGLE WIRE SEAL SEE :
- 6 Keine Luftlöcher zulässig
NO AIR BUBBLES PERMITTED



M 1:1

(D6)

RELEASED FOR PUBLICATION

ALL RIGHTS RESERVED.

THIS DRAWING IS UNPUBLISHED.

COPYRIGHT -- By --

DIMENSIONS: mm	DWN P. Gaupp 17 APR 97	MATERIAL —	FINISH —			
	CHK D. Kuempel 21 APR 97	TE Connectivity				
TOLERANCES UNLESS OTHERWISE SPECIFIED:	APVD —			PRODUCT SPEC 108-18263-1 NAME 2.5mm System, Einzeldichtung 2.5MM SYSTEM, SINGLE WIRE SEAL		
 0 PLC ± - 1 PLC ± - 2 PLC ± - 3 PLC ± - 4 PLC ± - ANGLES ± - 	PRODUCT SPEC 114-18031 APPLICATION SPEC 114-18031	SIZE A4	CAGE CODE 00779	DRAWING NO C-828985	RESTRICTED TO —	
	WEIGHT —	CUSTOMER DRAWING		SCALE 5:1	SHEET 1 OF 1	REV D8