



Chipsmall Limited consists of a professional team with an average of over 10 year of expertise in the distribution of electronic components. Based in Hongkong, we have already established firm and mutual-benefit business relationships with customers from,Europe,America and south Asia,supplying obsolete and hard-to-find components to meet their specific needs.

With the principle of “Quality Parts,Customers Priority,Honest Operation,and Considerate Service”,our business mainly focus on the distribution of electronic components. Line cards we deal with include Microchip,ALPS,ROHM,Xilinx,Pulse,ON,Everlight and Freescale. Main products comprise IC,Modules,Potentiometer,IC Socket,Relay,Connector.Our parts cover such applications as commercial,industrial, and automotives areas.

We are looking forward to setting up business relationship with you and hope to provide you with the best service and solution. Let us make a better world for our industry!



Contact us

Tel: +86-755-8981 8866 Fax: +86-755-8427 6832

Email & Skype: info@chipsmall.com Web: www.chipsmall.com

Address: A1208, Overseas Decoration Building, #122 Zhenhua RD., Futian, Shenzhen, China



15° 5 Watts 4 phases Part number 82910502



- 24 steps/revolution (15°)
- Absorbed power : 5 W
- 2 or 4 phase versions available

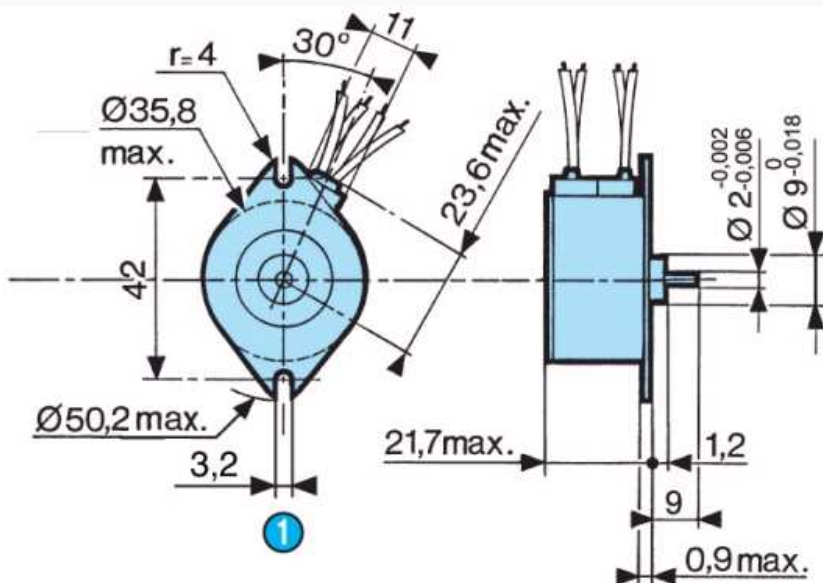
Part numbers

	Type	Type	Number of phases
82910502	4 phases	82 910 5	4

Specifications

Electronic controller used	Unipolar
Resistance per phase (Ω)	115
Inductance per phase (mH)	62
Current per phase (A)	0,14
Holding torque (mNm)	15
Voltage at motor terminals (V)	17
Absorbed power (W)	5
Step angle ($^\circ$)	15
Positioning accuracy (%)	5
Rotor inertia (gcm^2)	4,9
Max. detent torque (mNm)	3
Max. coil temperature ($^\circ\text{C}$)	120
Storage temperature ($^\circ\text{C}$)	-40 \rightarrow +80
Thermal resistance of coil - ambient air ($^\circ\text{C/W}$)	14
Insulation resistance (at 500 Vcc) (M Ω) following NFC 51200 standard	$> 10^3$
Bearings	Sintered bronze
Insulation voltage (50 Hz, 1 minute) (V) following NFC 51200 standard	> 600
Wires length (mm)	250
Weight (g)	90
Protection rating	IP 40

Dimensions (mm)



N°	Legend
----	--------

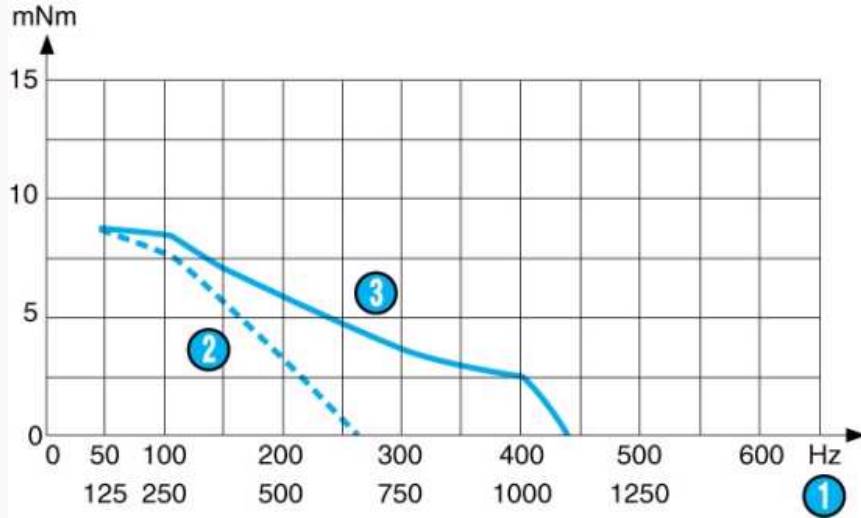


2 fixing holes $\varnothing 3,2^{+0,1}$

Curves

Nominal value dynamic curves

4 phases - 115 Ω



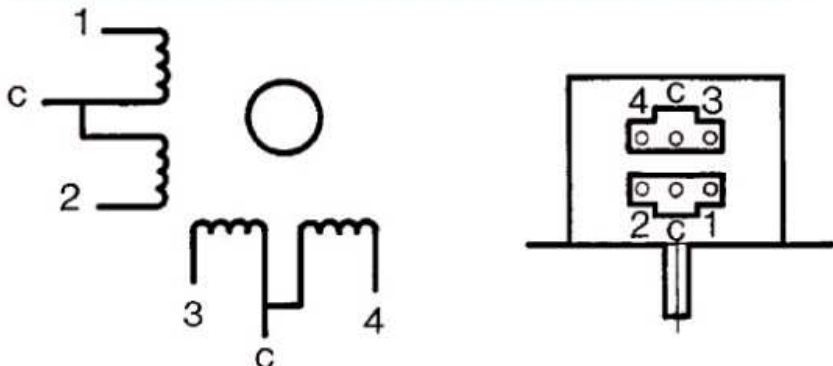
Measurement conditions : 89990101 constant voltage supply board, 17 V at motor terminals, 2 phases energised, full steps, inertia of measuring system 4.53 g.cm²

N°	Legend
1	RPM
2	Stopping-starting
3	Max. operating curves

Connections

4 phases

	1	2	3	4
1	-		-	
2	-			-
3		-		-
4		-	-	
5	-		-	



Energisation sequence for clockwise rotation : 2 phases energised (viewed from shaft end, front forward) Commons connected to positive.

N°	Legend
----	--------



Step

Product adaptations

- Special output shafts
- Special supply voltages
- Special cable lengths
- Special connectors