



Chipsmall Limited consists of a professional team with an average of over 10 year of expertise in the distribution of electronic components. Based in Hongkong, we have already established firm and mutual-benefit business relationships with customers from,Europe,America and south Asia,supplying obsolete and hard-to-find components to meet their specific needs.

With the principle of “Quality Parts,Customers Priority,Honest Operation,and Considerate Service”,our business mainly focus on the distribution of electronic components. Line cards we deal with include Microchip,ALPS,ROHM,Xilinx,Pulse,ON,Everlight and Freescale. Main products comprise IC,Modules,Potentiometer,IC Socket,Relay,Connector.Our parts cover such applications as commercial,industrial, and automotives areas.

We are looking forward to setting up business relationship with you and hope to provide you with the best service and solution. Let us make a better world for our industry!



Contact us

Tel: +86-755-8981 8866 Fax: +86-755-8427 6832

Email & Skype: info@chipsmall.com Web: www.chipsmall.com

Address: A1208, Overseas Decoration Building, #122 Zhenhua RD., Futian, Shenzhen, China



UTO SERIES



SOURIAU

Robust Metal & Shielded Connector



Contents

Overview

| | |
|---|----|
| Typical Applications | 06 |
| Features & Benefits | 07 |
| Range Overview | 08 |
| Layouts | 10 |
| General Technical Characteristics | 12 |

Connector

| | |
|---------------------------|-----|
| Cable Assembly | 16 |
| 2 contacts + ground | 20 |
| 3 contacts + ground | 28 |
| 4 contacts | 32 |
| 6 contacts | 40 |
| 6 contacts + ground | 48 |
| 8 contacts | 52 |
| 10 contacts | 60 |
| 12 contacts | 64 |
| 19 contacts | 72 |
| 23 contacts | 80 |
| 26 contacts | 84 |
| 28 contacts | 88 |
| 30 contacts | 92 |
| 32 contacts | 96 |
| 35 contacts | 100 |
| 38 contacts | 104 |
| 41 contacts | 108 |
| 48 contacts | 112 |
| 55 contacts | 116 |
| 61 contacts | 120 |

Contacts

| | |
|--------------------------------------|-----|
| Description | 126 |
| Contact Plating Selector Guide | 127 |
| Contact Selector Guide | 128 |
| Packaging | 128 |
| Crimp Contacts | 129 |
| #16 Coaxial Contacts | 131 |
| PCB Contacts | 132 |
| Fiber Optic Contacts | 133 |

Technical Information

| | |
|--|-----|
| Tooling | 138 |
| Crimping Instructions | 140 |
| Handle & Interchangeable Heads | 142 |
| Extraction Tools | 143 |
| Dimensions Overmolded Harnesses | 143 |
| Assembly Instructions | 144 |
| Mated Connector Length | 153 |
| Rated Current & Working Voltage | 155 |
| Shielding Effectiveness/Corrosion | 156 |
| UL94 + UL1977 | 157 |
| IEC 61984 with IP Code Explanation | 160 |
| IEC 61140 Explained | 162 |
| What is NEMA Rating ? | 163 |
| Ethernet for the Layman | 164 |

Appendices

| | |
|--|-----|
| #16 Coaxial Contacts/Cabling Notices | 168 |
| Glossary of Terms | 175 |
| Drilling Pattern | 176 |
| Discrimination/Keying Methods | 180 |
| Part Number Index | 181 |

UTO SERIES

Overview

| | |
|---|----|
| ■ Typical Applications | 06 |
| ■ Features & Benefits | 07 |
| ■ Range Overview | 08 |
| ■ Layouts | 10 |
| ■ General Technical Characteristics | 12 |

Typical Applications



Energy - Power



Robotics - Machine tools



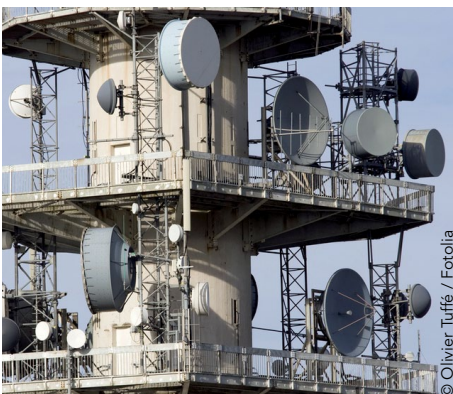
Building Automation & Control



Instrumentation measurement



Off road - Mining - Railway



Telecom - Data infrastructure

Features & Benefits

- WATER
PROOF**

IP68/69K Dynamic Mated

Ideal for outdoor and indoor dynamic applications requiring continuous underwater immersion, routine pressure washing and dust protection.

- SIGNAL
INTEGRITY**

EMI Shielded

65 dB at 100 Mhz: Qualified and compatible to be used in electromagnetic radiation areas and ensures proper signal integrity and transmission.

- CORROSION
RESISTANT**

Salt Spray 48 & 96 hours

Designed to withstand climate ingress and exposure to salt spray or corrosive atmospheres while still maintaining mechanical and electrical functionality.

- QUICK
MATING**

1/3 Bayonet Coupling

With only 1/3 twist of the bayonet coupling system, connectors are mated with audible "click" and tactile feel to confirm proper mating. This mating features eliminates connection uncertainty and reduces time and labor during installation.

- COST
SAVINGS**

Mixed Power & Signal Layouts

Power supply and signal transmission can be combined in a unique interconnect solution to reduce system complexity and minimize component/installation costs.



Choice of Crimp Contacts

- machined
- stamped and formed
- coaxial
- fiber optics



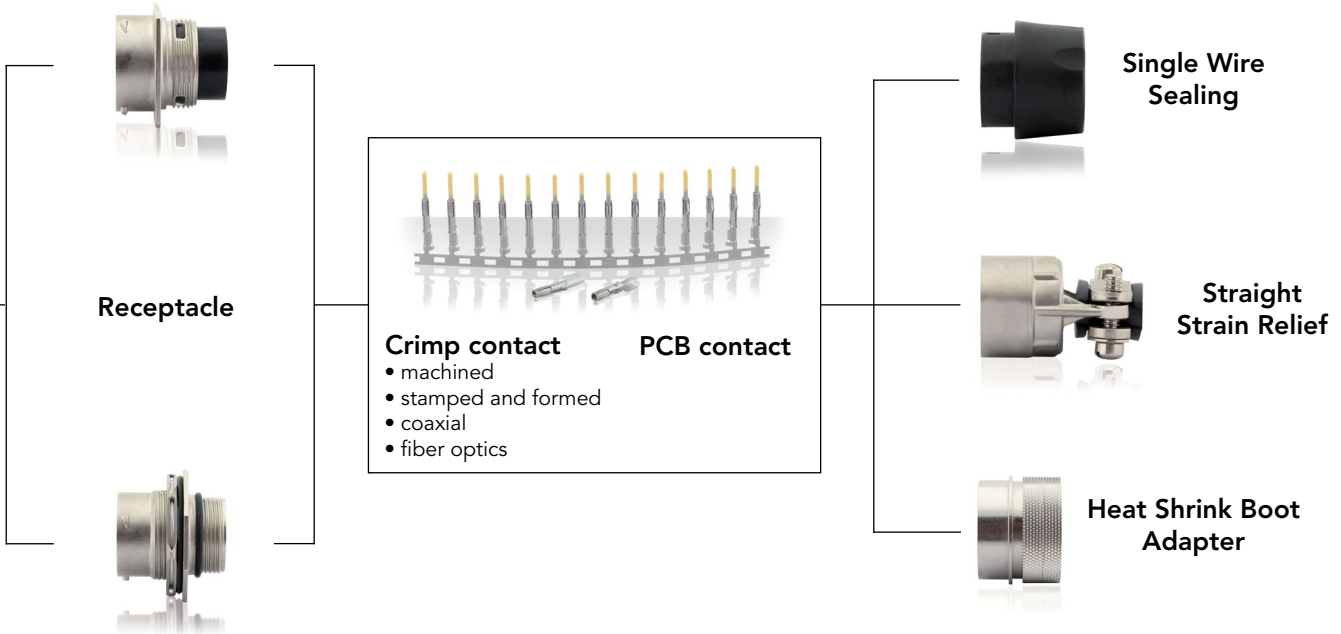
Plug

UTO Series

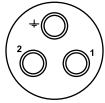
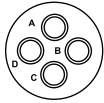
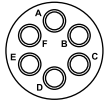
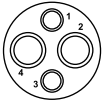
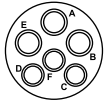
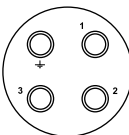
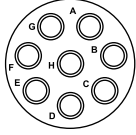
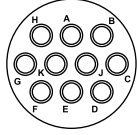
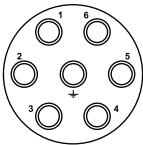
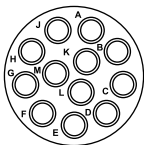
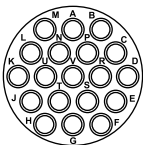
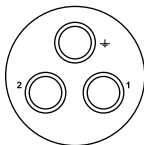
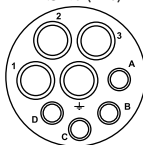
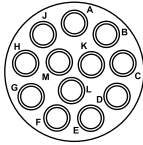
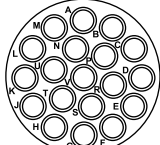
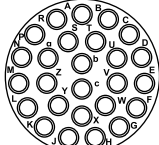


Sealed: IP68/69K
Shielded
Corrosion resistant
UL compliant

overview



Layouts (Electrical parameter according to UL1977)

| Shell size | Contact #16 (Ø 1.6) | Contact #20 (Ø 1.0) | Contact #8 (Ø 3.6) | Mixed power |
|------------|--|---|--|--|
| 10 | <p>103 10A 500V 2 contacts +ground 3xØ1.6 (#16)</p>  <p>Page 20</p> <p>104* 10A 500V 4 contacts 4xØ1.6 (#16)</p>  <p>Page 36</p> | <p>106* 5A 250V 6 contacts 6xØ1.0 (#20)</p>  <p>Page 44</p> | | <p>102W2 20A 500V 4 contacts 2xØ2.4 (#12) 2xØ1.0 (#20)</p>  <p>Page 32</p> <p>103W3 5A 250V 6 contacts 3xØ1.6 (#16) 3xØ1.0 (#20)</p>  <p>Page 40</p> |
| 12 | <p>124 16A 500V 3 contacts +ground 4xØ1.6 (#16)</p>  <p>Page 28</p> <p>128 10A 500V 8 contacts 8xØ1.6 (#16)</p>  <p>Page 52</p> | <p>1210* 5A 250V 10 contacts 10xØ1.0 (#20)</p>  <p>Page 60</p> | | |
| 14 | <p>147 10A 500V 6 contacts +ground 7xØ1.6 (#16)</p>  <p>Page 48</p> <p>1412 10A 500V 12 contacts 12xØ1.6 (#16)</p>  <p>Page 64</p> | <p>1419 5A 250V 19 contacts 19xØ1.0 (#20)</p>  <p>Page 72</p> | <p>142G1 44A 600V 2 contacts +ground 3xØ3.6 (#8)</p>  <p>Page 24</p> | <p>148 25A 250V 8 contacts 4xØ2.4 (#12) 4xØ1.6 (#16)</p>  <p>Page 56</p> |
| | <p>1492 10A 500V 12 contacts 12xØ1.6 (#16)</p>  <p>Page 68</p> | | | |
| 16 | <p>1619* 9A 500V 19 contacts 19xØ1.6 (#16)</p>  <p>Page 76</p> | <p>1626 4A 250V 26 contacts 26xØ1.0 (#20)</p>  <p>Page 84</p> | | |

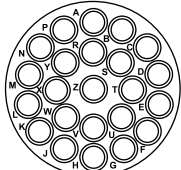
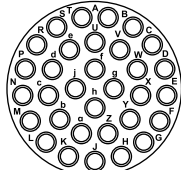
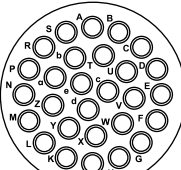
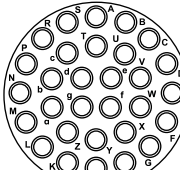
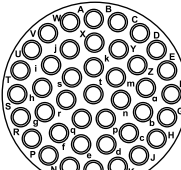
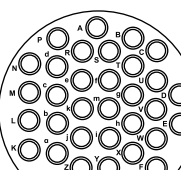
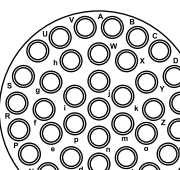
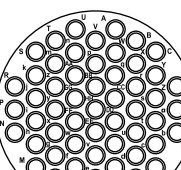
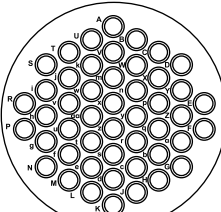
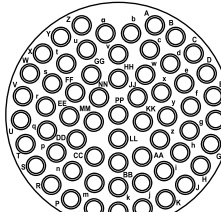
* Ethernet compatible see page 164 & 165

Contacts #16:
from AWG 30 to 14,
0.05 to 2.5 mm²

Contacts #20:
from AWG 26 to 18,
0.13 to 0.93 mm²

Contacts #8:
from AWG 16 to 8,
1.5 to 10 mm²

Contacts #12:
from AWG 22 to 12,
0.13 to 4 mm²

| Shell size | Contact #16 (Ø 1.6) | Contact #20 (Ø 1.0) |
|------------|---|--|
| 18 | <p>1823 8A 500V 23 contacts 23xØ1.6 (#16)</p>  <p>Page 80</p> | <p>1832 4A 250V 32 contacts 32xØ1.0 (#20)</p>  <p>Page 96</p> |
| 20 | <p>2028 5A 500V 28 contacts 28xØ1.6 (#16)</p>  <p>Page 88</p> <p>2030 5A 500V 30 contacts 30xØ1.6 (#16)</p>  <p>Page 92</p> | <p>2041 3A 250V 41 contacts 41xØ1.0 (#20)</p>  <p>Page 108</p> |
| 22 | <p>2235 5A 500V 35 contacts 35xØ1.6 (#16)</p>  <p>Page 100</p> <p>2238 5A 500V 38 contacts 38xØ1.6 (#16)</p>  <p>Page 104</p> | <p>2255 3A 250V 55 contacts 55xØ1.0 (#20)</p>  <p>Page 116</p> |
| 24 | <p>2448 5A 500V 48 contacts 48xØ1.6 (#16)</p>  <p>Page 112</p> | <p>2461 3A 250V 61 contacts 61xØ1.0 (#20)</p>  <p>Page 120</p> |

General technical characteristics



Materials

- **Shell:** Zinc alloy
- **Backshells and cable glands:** Brass
- **Coupling ring:** Aluminum alloy
- **Coupling spring:** Spring stainless steel
- **Insert:** Glass-filled thermoplast
- **Contacts:** See page 125
- **Halogen free**
- **RoHS compliant & conforms to the Chinese standard SJ/T1166-2006 (Chinese RoHS equivalent)**



Environmental

- **Operating temperature:** from -40°C to +105°C
40/100/21 per NFF 61-030
- **Flammability rating:** UL94 V-0
I2F3 according to NFF 16101 and NFF 16102
- **Salt spray:** per MIL-STD-202 method 101
- 48 h (standard version)
- 96 h (black anodized coupling ring)
Higher salt spray resistance (200/500 h) upon request
- **Sealing:** Per IEC 60529/DIN 40050: Dynamic IP67 / IP68 (under 10 m of water during 1 week) / IP69K in mated condition and in combination with sealed backshell.
- **Fluid resistance:**
 - Gas and oil
 - Mineral oil
 - Acid bath
 - Basic bath
- **Shielding effectiveness:** 65 dB at 100 MHz

Electrical



- **In accordance with:**
 - UL 1977: Certificate ECBT2
File number: E169916
 - CSA C22.2: Certificate ECBT8
File number E169916
- Also see pages 10 & 11

Mechanical

- **Durability:** 500 matings & unmatings per MIL-C-26482
- **Vibration resistance:**
 - 55-2000 Hz, acceleration 15 g per MIL-C-26482 (Series 1)
 - 10-100 Hz, acceleration 2 g per NFF61030
- **Thermal shock:** 5 cycles 30 min. from -40°C to 105°C per MIL-STD-202 method 207
- **Mechanical shock:**
 - 50 g, 11 ms period per MIL-C-26482 (Series 1)
 - 30 g, 18 ms period per NFF61030

UTO Series

Connector

| | | | | |
|---------------------------------|-----|-----------|--|-----|
| Upgrade of the UTO Series | | | | 16 |
| Cable Assembly | | | | 17 |
| 2 contacts + ground | | | | |
| 103: | 10A | 500V..... | | 20 |
| 142G1: | 44A | 600V..... | | 24 |
| 3 contacts + ground | | | | |
| 124: | 16A | 500V..... | | 28 |
| 4 contacts | | | | |
| 102W2: | 20A | 500V..... | | 32 |
| 104*: | 10A | 500V..... | | 36 |
| 6 contacts | | | | |
| 103W3: | 5A | 250V..... | | 40 |
| 106*: | 5A | 250V..... | | 44 |
| 6 contacts + ground | | | | |
| 147: | 10A | 500V..... | | 48 |
| 8 contacts | | | | |
| 128: | 10A | 500V..... | | 52 |
| 148: | 25A | 250V..... | | 56 |
| 10 contacts | | | | |
| 1210*: | 5A | 250V..... | | 60 |
| 12 contacts | | | | |
| 1412: | 10A | 500V..... | | 64 |
| 1492: | 10A | 500V..... | | 68 |
| 19 contacts | | | | |
| 1419: | 5A | 250V..... | | 72 |
| 1619*: | 9A | 500V..... | | 76 |
| 23 contacts | | | | |
| 1823: | 8A | 500V..... | | 80 |
| 26 contacts | | | | |
| 1626: | 4A | 250V..... | | 84 |
| 28 contacts | | | | |
| 2028: | 5A | 500V..... | | 88 |
| 30 contacts | | | | |
| 2030: | 5A | 500V..... | | 92 |
| 32 contacts | | | | |
| 1832: | 4A | 250V..... | | 96 |
| 35 contacts | | | | |
| 2235: | 5A | 500V..... | | 100 |
| 38 contacts | | | | |
| 2238: | 5A | 500V..... | | 104 |
| 41 contacts | | | | |
| 2041: | 3A | 250V..... | | 108 |
| 48 contacts | | | | |
| 2448: | 5A | 500V..... | | 112 |
| 55 contacts | | | | |
| 2255: | 3A | 250V..... | | 116 |
| 61 contacts | | | | |
| 2461: | 3A | 250V..... | | 120 |

Electrical parameters according to UL1977

* Ethernet compatible see pages 164 & 165

Upgrade of the UTO Series



Description of Change:

To better meet the demanding requirements and diversity of industrial markets/applications, SOURIAU changed the position of the wavy washer inside the plug. This slight modification makes the new version of the UTO sealed to IP68/69K in dynamic conditions.

Product Part Number:

Below is an overview of the old part numbers with the corresponding new part numbers.

Note that some of the old part numbers where backshells were included will now be sold individually, i.e. plug connector + backshell.

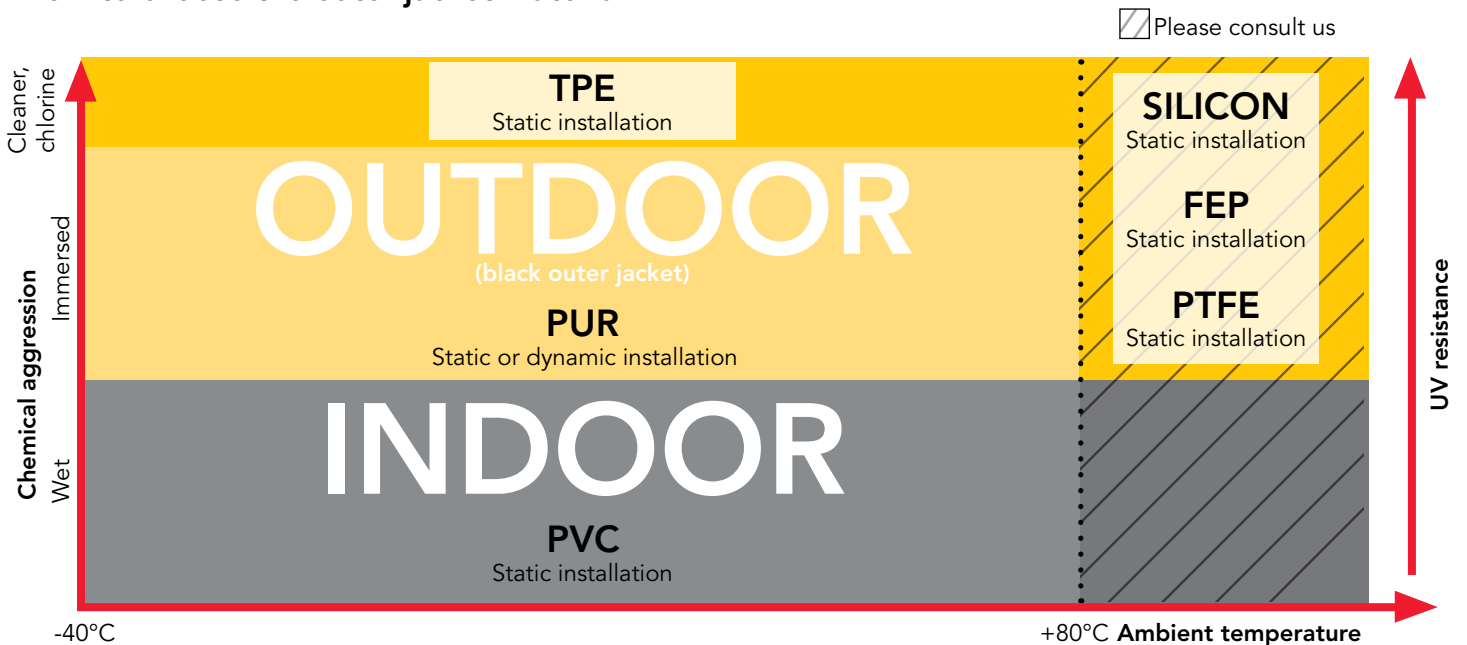
| Old part number | New part number connector | New part number backshell | Comments |
|-----------------|-----------------------------|---------------------------|--|
| UT00/6-S/PT | UT00/6-S/PH(6) | - | - |
| UT00-S/PHT | UT00-S/PH(6) | - | - |
| UT00/6AC-S/PT | UT00/6-S/PH(6) | - | - |
| UT00/6PG-S/PHT | UT00/6-S/PH(6) | UT0-AC | - |
| UTO-21/22- | Keep old part number | UT0-JC | Silksreen version |
| UTO-44/45- | Keep old part number | - | Screw coupling version |
| UTO-ACT | - | UT0-AC | 851 backshell Nickel plated |
| UTO-PGT | - | UT0-JC | Longer threading on connector side + metric cable gland |
| UTOS-PGT | - | UT0S-JC | Longer threading on connector side + shielded metric cable gland |
| U-AD01T | UT0-AD01 | UT0-AD01 | Longer threading to achieve sealing |
| U-AD01N | Keep old part number | - | Used on old UT06-45N screw coupling version |

Cable Assembly

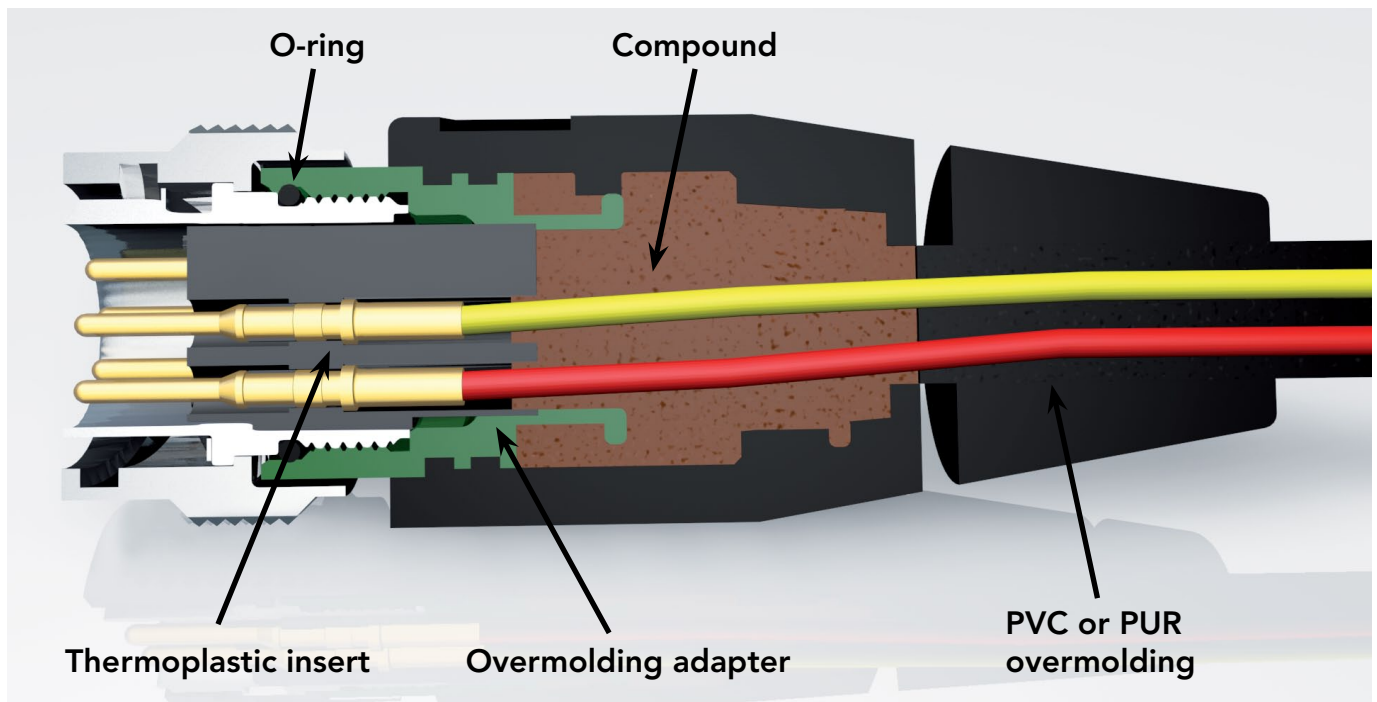
SOURIAU has provided connectors for various applications for more than 90 years and has been used in the most extreme environments. Conscious about the difficulty in finding a quick and reliable harness manufacturer, we began our own in-house cable assembly production. It allows customers to reduce the number of suppliers and to take advantage of the "best in class" quality of the SOURIAU group. Overmolding is a process that further enhances the sealing properties and helps to minimize stress on the cable termination to the connector. In addition, the wires are encapsulated inside the molding which creates a barrier preventing liquid/moisture from entering the equipment through the connector or cable jacket if breached.



How to choose the outer jacket material

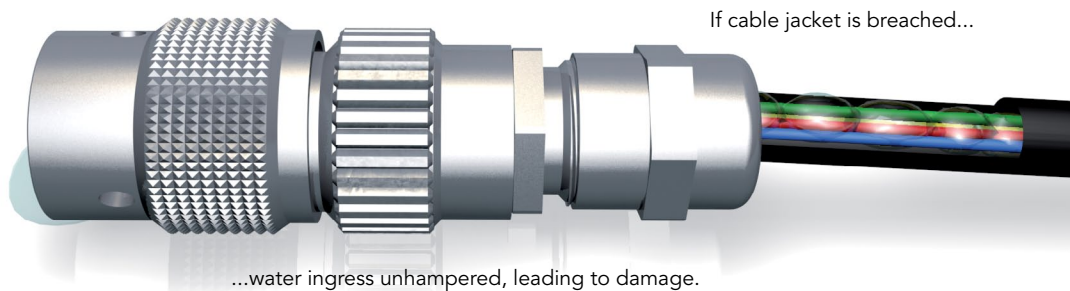


Overmolding Description



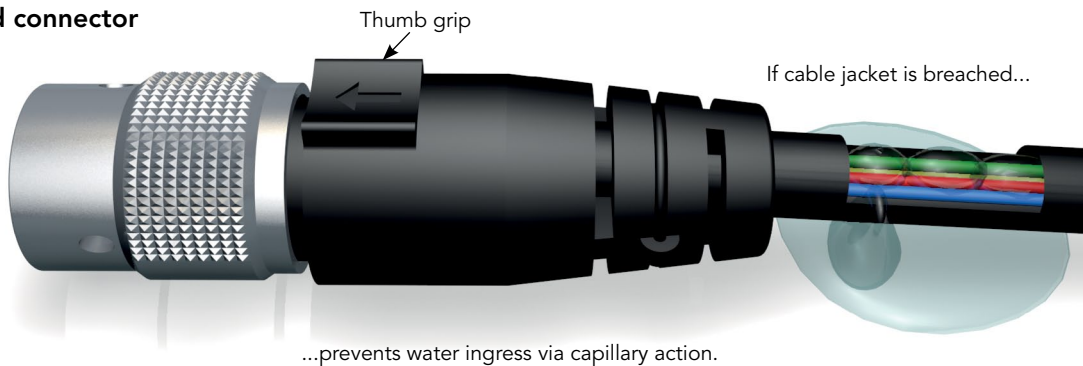
Discrete connector

GOOD



Overmolded connector

BEST



UTO Robust Metal & Shielded Cable Assembly



Description

Connector

- Shielded metal connector
- Extreme sealing: IP68/69K dynamic mated
- 26 layouts
- Rapid 1/3 turn connection

Cable

- Polyurethane Jacket (Black)
- 16 AWG conductors
- Multi-conductor 8
- 300V
- Shielded
- Flammability rating UL 1581 Sec.1080 (VW-1)

Applications

- Machining Centers (Oil Resistant)
- Assembly Automation Equipment
- Geophysical Equipment
- Solar (UV Stable)
- Outdoor Displays

Specifications

| PLATING | SALT SPRAY | DEGREE | WATERPROOF | COUPLING |
|-----------------|------------|----------------|---------------------------|-----------------------|
| Black anodized* | 96 H | -40° C + 50° C | IP68/69K dynamic mated | 500 matings/unmatings |
| Nickel | 48 H | | | |

* Custom black anodized version available on demand

Description

| Series | Nbr contacts | Size | Wire size | Description | Length (FT) | Part number |
|--------|--------------|------|-----------|--|-------------|--------------------------|
| UTO | 8 | 12 | 16 AWG | D/E assembly 1 male plug & 1 female plug | 3 | UT06V1208PS03FT00 |
| UTO | 8 | 12 | 16 AWG | D/E assembly 1 male plug & 1 female plug | 6 | UT06V1208PS06FT00 |
| UTO | 8 | 12 | 16 AWG | D/E assembly 1 male plug & 1 female plug | 12 | UT06V1208PS12FT00 |
| UTO | 8 | 12 | 16 AWG | S/E assembly 1 female plug | 3 | UT06V1208S03FT00 |
| UTO | 8 | 12 | 16 AWG | S/E assembly 1 female plug | 6 | UT06V1208S06FT00 |
| UTO | 8 | 12 | 16 AWG | S/E assembly 1 female plug | 12 | UT06V1208S12FT00 |
| UTO | 8 | 12 | 16 AWG | S/E assembly 1 male plug | 3 | UT06V1208P03FT00 |
| UTO | 8 | 12 | 16 AWG | S/E assembly 1 male plug | 6 | UT06V1208P06FT00 |
| UTO | 8 | 12 | 16 AWG | S/E assembly 1 male plug | 12 | UT06V1208P12FT00 |

103 (Shell size 10, 2 + ground, 3x#16)



Connector Part Numbers

Drilling pattern see page 176

| Contact type | Connector type | Sealing | Salt spray | Part number | |
|--|--------------------------|--------------------|------------|----------------------------|----------------------------|
| | | | | Male insert | Female insert |
| Contacts supplied separately see page 23 | Square flange receptacle | IP67 | 96h | UT00103PH | UT00103SH |
| | | IP68 & IP69K | 96h | UT00103PH6 | UT00103SH6 |
| | Plug | IP67, IP68 & IP69K | 48h | UT06103PH | UT06103SH |
| | | IP67, IP68 & IP69K | 96h | UT06103PH02 (Black) | UT06103SH02 (Black) |
| | Jam nut receptacle | IP67 | 48h | UT07103PH | UT07103SH |
| | | IP68 & IP69K | 48h | UT07103PH6 | UT07103SH6 |
| | | IP67 | 96h | UT07103PH01 | UT07103SH01 |
| | | IP68 & IP69K | 96h | UT07103PH601 | UT07103SH601 |

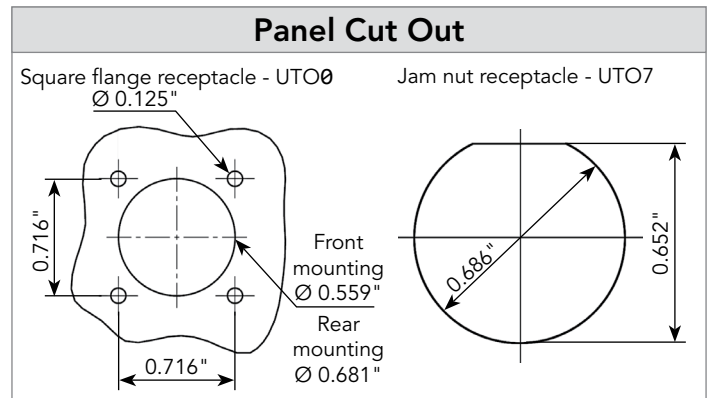
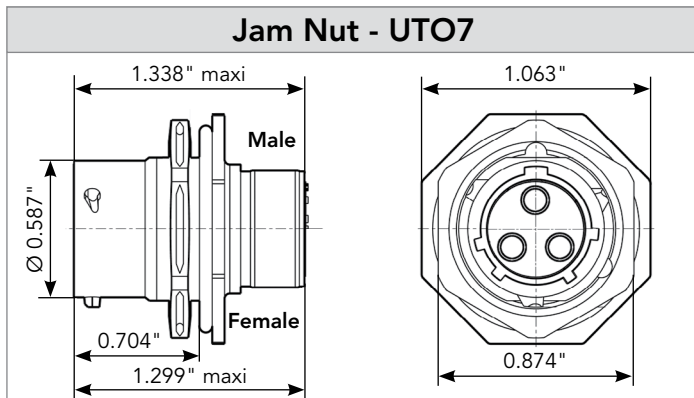
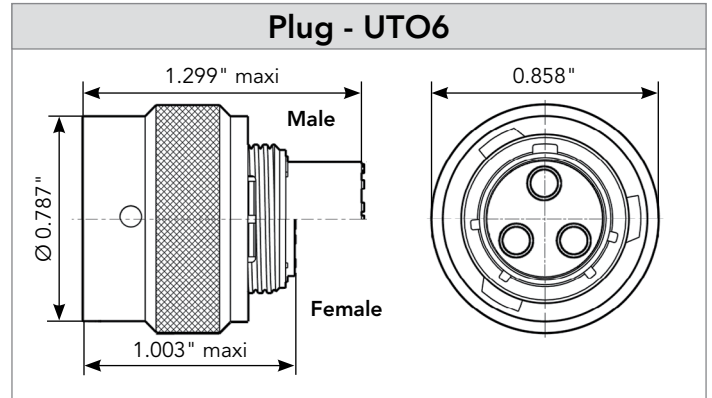
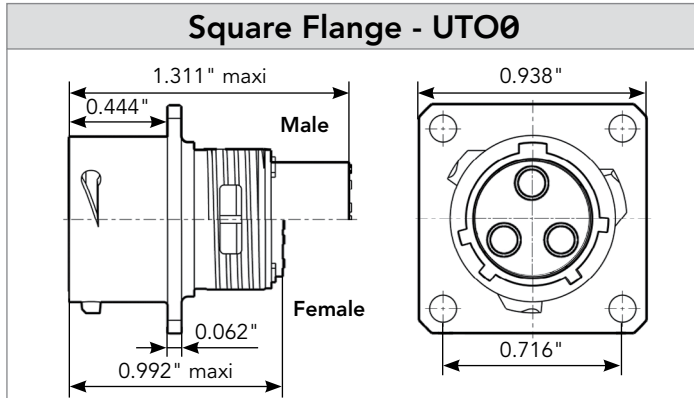
Backshells

| Backshell type | Shielding | Cable range (Ø inch) min/max | Part number | |
|---|-----------|------------------------------|--------------------|------------------|
| | | | Short version | Long version |
| Cable gland with strain relief nut for water protected applications (IP68 & IP69K) (Fig.1) | - | 0.118"/0.236" | UT010JCS | UT010JC |
| Cable gland with large strain relief nut for water protected applications (IP68 & IP69K) (Fig.2) | - | 0.196"/0.314" | UT010JCSL | UT010JCL |
| Shielded cable gland with strain relief nut for water protected applications (IP68 & IP69K) (Fig.3) | ✓ | 0.157"/0.255" | UT0S10JCS | UT0S10JC |
| Shielded cable gland with large strain relief nut for water protected applications (IP68 & IP69K) (Fig.4) | ✓ | 0.196"/0.334" | UT0S10JCSL | UT0S10JCL |
| Metal cable clamp with strain relief (Fig.5) | - | 0.196" | UT010AC | |
| Metal shrink boot adaptor (Fig.6) | - | - | UT010AD | |
| Metal right angle cable clamp with strain relief nut (Fig.7) | - | 0.157"/0.393" | UT010LPGN | |
| Shielded cable clamp with plastic strain relief nut (Fig.8) | ✓ | 0.157"/0.346" | UT0S10JCPGN | |
| Cable clamp with plastic strain relief nut (Fig.8) | - | 0.157"/0.393" | UT010JCPGN | |

103 (Shell size 10, 2 + ground, 3x#16)



Dimensions



Backshells (for Mated Connector Length: See Page 153)

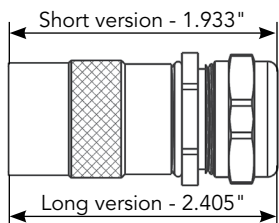


Fig. 1

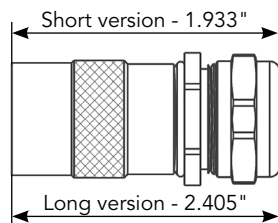


Fig. 2

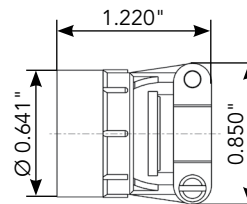


Fig. 5

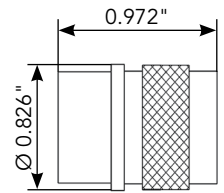


Fig. 6

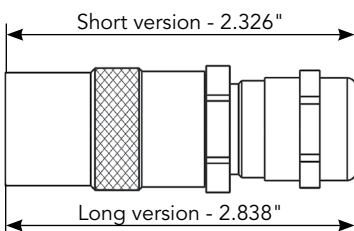


Fig. 3

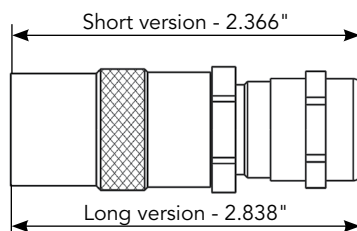


Fig. 4

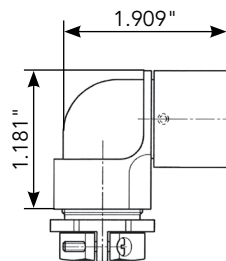


Fig. 7

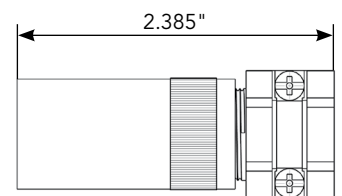


Fig. 8

Note: all dimensions are in inches

103 (Shell size 10, 2 + ground, 3x#16)

Accessories and Tooling

Dustcap (Receptacle)



Part number
UT010DCG*

Dustcap (Plug)




Part number
UTG610DCG*

Handle (without Head)




Part number
SHANDLES

Tool Kit



Part number
TOOLKIT

Gasket



Part number / Neoprene
UTFD12B

Dummy Contact #16



Part number / Polyamide 6.6
SMSPK00


See page 180 for more information

Extraction Tool #16



Part number
RX2025GE1

Crimp Tooling (without Shandles)



| Contacts | Contact size | Part number of head | |
|--------------------------------|-------------------------------------|---------------------|--|
| RM/RC 28M1K ⁽¹⁾ | Standard contacts #16 Ø 1.6mm | S16RCM20* | |
| RM/RC 24M9K ⁽¹⁾ | | S16RCM20* | |
| RM/RC 20M13K ⁽¹⁾ | | S16RCM20* | |
| RM/RC 20M12K ⁽¹⁾ | | S16RCM20* | |
| RM/RC 16M23K ⁽¹⁾ | | S16RCM16* | |
| RM/RC 14M30K ⁽¹⁾ | | S16RCM14* | |
| SM/SC 24ML1TK6 ⁽¹⁾ | | S16SCM20* | |
| SM/SC 20ML1TK6 ⁽¹⁾ | | S16SCM20* | |
| SM/SC 16ML1TK6 ⁽¹⁾ | | S16SCML1* | |
| SM/SC 14ML1TK6 ⁽¹⁾ | | S16SCML1* | |
| SM/SC 16ML11TK6 ⁽¹⁾ | | S16SCML11* | |
| RMDXK10D28K | | Coaxial contacts | M10S1J with die set & stop bushing see page 172 to 174 |
| RCDXK1D28K | | | |
| RM/RC DX60xxD28K | | | |
| RM/RC DXK10D28 + york090 | | | |
| RM/RC DX60xxD28 | | | |

(1): Example of plating, for other plating options see page 129
* Heads to be used with handle PN: SHANDLES



* For dustcap without chain, skip "G", e.g. UT010DC

103 (Shell size 10, 2 + ground, 3x#16)

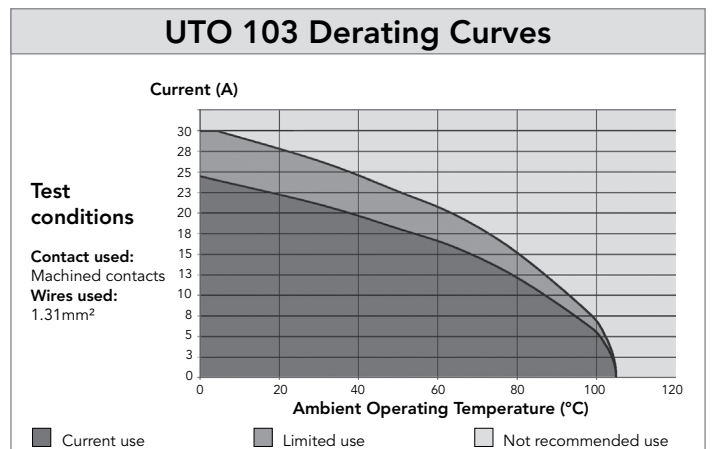


Contacts

| #16 | Contact type | AWG | Part number | | Max wire Ø | Max insulator Ø |
|---------|--|---------------------------------|------------------------------|------------------------------|------------|-----------------|
| | | | Male | Female | | |
| Crimp | Machined | 30-28 | RM28M1K ⁽¹⁾ | RC28M1K ⁽¹⁾ | 0.021" | 0.039" |
| | | 26-24 | RM24M9K ⁽¹⁾ | RC24M9K ⁽¹⁾ | 0.031" | 0.062" |
| | | 22-20 | RM20M13K ⁽¹⁾ | RC20M13K ⁽¹⁾ | 0.045" | 0.070" |
| | | 22-20 | RM20M12K ⁽¹⁾ | RC20M12K ⁽¹⁾ | 0.045" | 0.086" |
| | | 20-16 | RM16M23K ⁽¹⁾ | RC16M23K ⁽¹⁾ | 0.070" | 0.125" |
| | | 16-14 | RM14M30K ⁽¹⁾ | RC14M30K ⁽¹⁾ | 0.090" | 0.125" |
| | Stamped & Formed reeled contacts See note (2) for loose piece | 26-24 | SM24M1TK6 ⁽¹⁾⁽²⁾ | SC24M1TK6 ⁽¹⁾⁽²⁾ | - | 0.035"-0.062" |
| | | 22-20 | SM20M1TK6 ⁽¹⁾⁽²⁾ | SC20M1TK6 ⁽¹⁾⁽²⁾ | - | 0.047"-0.082" |
| | | 18-16 | SM16M1TK6 ⁽¹⁾⁽²⁾ | SC16M1TK6 ⁽¹⁾⁽²⁾ | - | 0.125" |
| | | 18-16 | SM16M11TK6 ⁽¹⁾⁽²⁾ | SC16M11TK6 ⁽¹⁾⁽²⁾ | - | 0.118" |
| 14 | | SM14M1TK6 ⁽¹⁾⁽²⁾ | SC14M1TK6 ⁽¹⁾⁽²⁾ | - | 0.125" | |
| PCB | Machined ⁽³⁾ | - | RM20M12E8K ⁽¹⁾ | RC20M12E84K ⁽¹⁾ | - | - |
| Coaxial | Cable Multipiece | see pages 131, 168 to 174 | RMDXK10D28 | RCDXK1D28 | - | - |
| | Cable Monocrimp | | RMDX60xxD28 | RCDX60xxD28 | - | - |
| | Twisted pair Multipiece | | RMDXK10D28 + york090 | RCDXK1D28 + york090 | - | - |
| | Twisted pair Monocrimp | | RMDX60xxD28 | RCDX60xxD28 | - | - |

(1): Example of plating, for other plating options see page 129
 (2): For loose piece contact packaging, place "L" in part number. Example: SM20ML1TK6
 (3): For dimensions see page 132
 Note: all dimensions are in inches

| Electrical Characteristics |
|--|
| <p>UL 10A 500V UL94 V-0</p> <p>CSA 7A 500V UL94 V-0</p> <p>IEC 16A 150V 2.5kV 3</p> |



142G1 (Shell size 14, 2 + ground, 3x#8)



Drilling pattern see page 176

Connector Part Numbers

| Contact type | Connector type | Sealing | Salt spray | Part number | |
|--|--------------------------|--------------------|------------|------------------------------|------------------------------|
| | | | | Male insert | Female insert |
| Contacts supplied separately see page 27 | Square flange receptacle | IP67 | 96h | UT00142G1PH | UT00142G1SH |
| | | IP68 & IP69K | 96h | UT00142G1PH6 | UT00142G1SH6 |
| | Plug | IP67, IP68 & IP69K | 48h | UT06142G1PH | UT06142G1SH |
| | | IP67, IP68 & IP69K | 96h | UT06142G1PH02 (Black) | UT06142G1SH02 (Black) |
| | Jam nut receptacle | IP67 | 48h | UT07142G1PH | UT07142G1SH |
| | | IP68 & IP69K | 48h | UT07142G1PH6 | UT07142G1SH6 |
| | | IP67 | 96h | UT07142G1PH01 | UT07142G1SH01 |
| | | IP68 & IP69K | 96h | UT07142G1PH601 | UT07142G1SH601 |

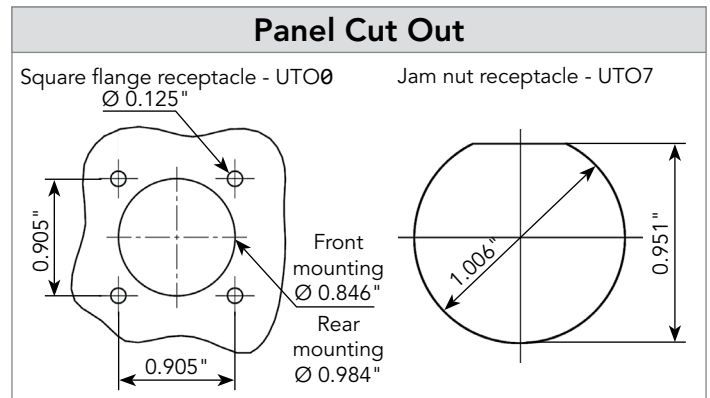
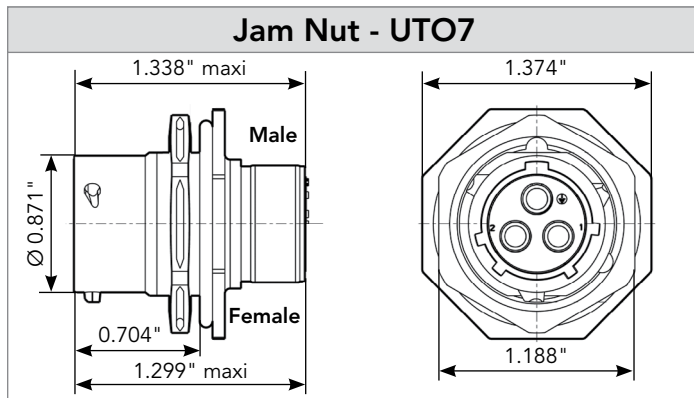
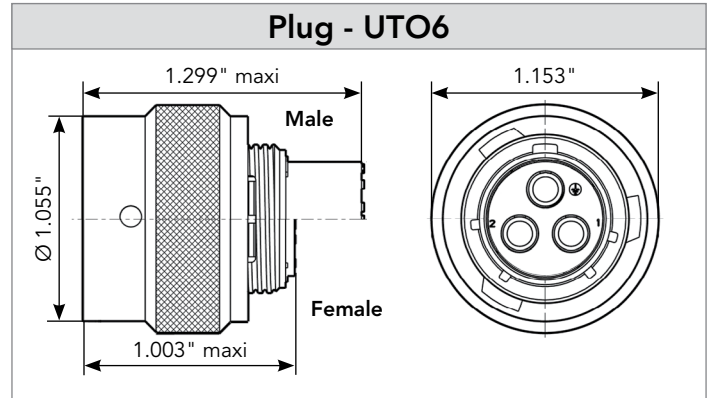
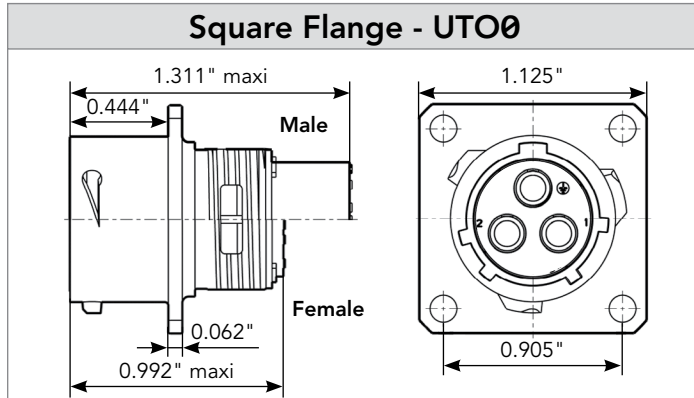
Backshells

| Backshell type | Shielding | Cable range (Ø inch) min/max | Part number | |
|---|-----------|------------------------------|--------------------|------------------|
| | | | Short version | Long version |
| Cable gland with strain relief nut for water protected applications (IP68 & IP69K) (Fig.1) | - | 0.236"/0.393" | UT014JCS | UT014JC |
| Cable gland with large strain relief nut for water protected applications (IP68 & IP69K) (Fig.2) | - | 0.314"/0.472" | UT014JCSL | UT014JCL |
| Shielded cable gland with strain relief nut for water protected applications (IP68 & IP69K) (Fig.3) | ✓ | 0.275"/0.413" | UT0S14JCS | UT0S14JC |
| Shielded cable gland with large strain relief nut for water protected applications (IP68 & IP69K) (Fig.4) | ✓ | 0.314"/0.492" | UT0S14JCSL | UT0S14JCL |
| Metal cable clamp with strain relief (Fig.5) | - | 0.393" | UT014AC | |
| Metal shrink boot adaptor (Fig.6) | - | - | UT014AD | |
| Metal right angle cable clamp with strain relief nut (Fig.7) | - | 0.255"/0.551" | UT014LPGN | |
| Shielded cable clamp with plastic strain relief nut (Fig.8) | ✓ | 0.255"/0.531" | UT0S14JCPGN | |
| Cable clamp with plastic strain relief nut (Fig.8) | - | 0.255"/0.531" | UT014JCPGN | |

142G1 (Shell size 14, 2 + ground, 3x#8)

2 +
⊕

Dimensions



Backshells (for Mated Connector Length: See Page 153)

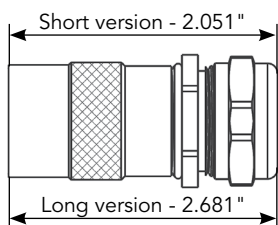


Fig. 1

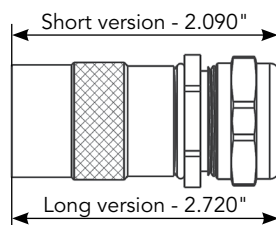


Fig. 2

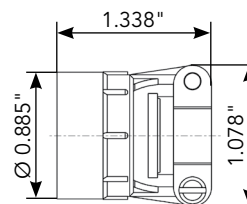


Fig. 5

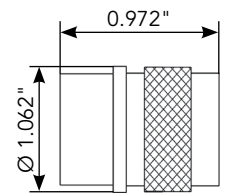


Fig. 6

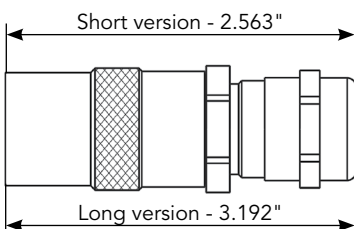


Fig. 3

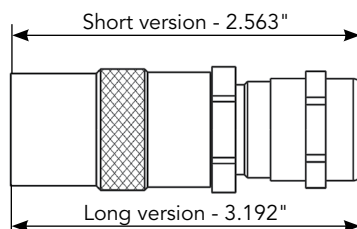


Fig. 4

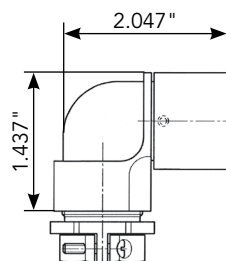


Fig. 7

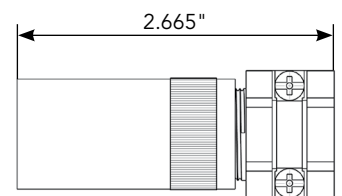


Fig. 8

Note: all dimensions are in inches