



Chipsmall Limited consists of a professional team with an average of over 10 year of expertise in the distribution of electronic components. Based in Hongkong, we have already established firm and mutual-benefit business relationships with customers from,Europe,America and south Asia,supplying obsolete and hard-to-find components to meet their specific needs.

With the principle of “Quality Parts,Customers Priority,Honest Operation,and Considerate Service”,our business mainly focus on the distribution of electronic components. Line cards we deal with include Microchip,ALPS,ROHM,Xilinx,Pulse,ON,Everlight and Freescale. Main products comprise IC,Modules,Potentiometer,IC Socket,Relay,Connector.Our parts cover such applications as commercial,industrial, and automotives areas.

We are looking forward to setting up business relationship with you and hope to provide you with the best service and solution. Let us make a better world for our industry!



## Contact us

Tel: +86-755-8981 8866 Fax: +86-755-8427 6832

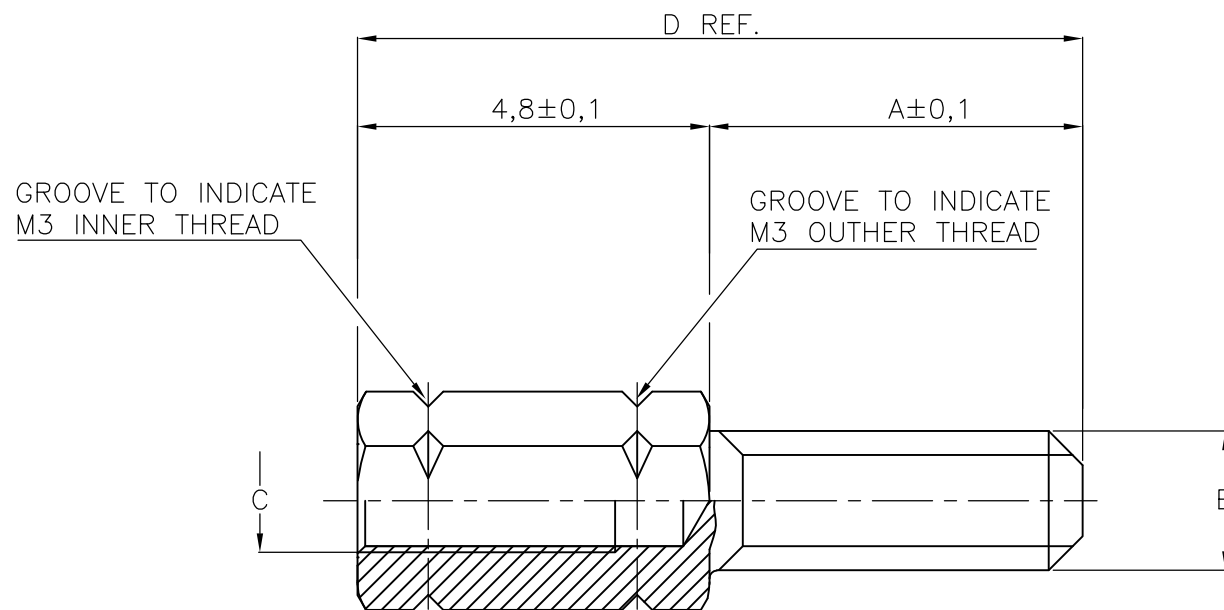
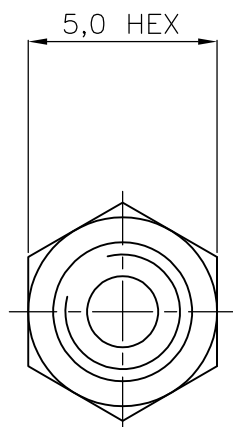
Email & Skype: info@chipsmall.com Web: www.chipsmall.com

Address: A1208, Overseas Decoration Building, #122 Zhenhua RD., Futian, Shenzhen, China



THIS DRAWING IS UNPUBLISHED. RELEASED FOR PUBLICATION  
 © COPYRIGHT - By - ALL RIGHTS RESERVED.

LOC	DIST	REVISIONS					
H	-	P	LTR	DESCRIPTION	DATE	DWN	APVD
			J	ECR-09-000314	21-05-09	AEG	KMA
			J1	REVISED PER ECO-09-023313	12OCT09	KK	AEG
			J2	ECR-10-026542	05JAN11	KK	HMR



	DIM "D"	DIM "C"	DIM "B"	DIM "A"	FINISH	MATERIAL	PART NUMBER	
<del>1</del>	<del>10,8</del>	<del>4-40 UNC</del>	<del>4-40 UNC</del>	<del>6,0</del>	TINPLATED	BRASS	<del>3-829261-0</del>	
<del>1</del>		M3	4-40 UNC	5,0			<del>2-829261-8</del>	
	9,8	4-40 UNC	M3	5,0			2-829261-6	
		M3	M3	5,0			2-829261-4	
	19,0	4-40 UNC	4-40 UNC	5,0			2-829261-2	
<del>1</del>		<del>10,8</del>	M3	4-40 UNC			14,2	<del>1-829261-8</del>
		4-40 UNC	M3	14,2			1-829261-6	
	12,7	M3	M3	14,2			1-829261-4	
		4-40 UNC	4-40 UNC	14,2			1-829261-2	
		M3	4-40 UNC	7,9			829261-8	
	12,7	4-40 UNC	M3	7,9			829261-6	
		M3	M3	7,9			<del>829261-4</del>	
	4-40 UNC	4-40 UNC	7,9	829261-2				

**1** OBSOLETE PARTS: OBSOLETE CIS STREAMLINING  
 PER D.RENAUD/D.SINISI

THIS DRAWING IS A CONTROLLED DOCUMENT.		DWN D.KESSLER 02APR91	TE Connectivity SCREWLOCK, FEMALE HD-SERIES			
DIMENSIONS: mm		CHK C.V.TILBURG 23APR91				
TOLERANCES UNLESS OTHERWISE SPECIFIED:		APVD L.V.SOEST 25APR91				
0 PLC ± - 1 PLC ± 0,2 2 PLC ± - 3 PLC ± - 4 PLC ± - ANGLES ±		NAME				
MATERIAL		PRODUCT SPEC	SIZE	CAGE CODE	DRAWING NO	RESTRICTED TO
FINISH		APPLICATION SPEC	A300779		C-829261	-
		WEIGHT	CUSTOMER DRAWING		SCALE	SHEET
					NTS	1 OF 1
						REV J2