



Chipsmall Limited consists of a professional team with an average of over 10 year of expertise in the distribution of electronic components. Based in Hongkong, we have already established firm and mutual-benefit business relationships with customers from,Europe,America and south Asia,supplying obsolete and hard-to-find components to meet their specific needs.

With the principle of “Quality Parts,Customers Priority,Honest Operation,and Considerate Service”,our business mainly focus on the distribution of electronic components. Line cards we deal with include Microchip,ALPS,ROHM,Xilinx,Pulse,ON,Everlight and Freescale. Main products comprise IC,Modules,Potentiometer,IC Socket,Relay,Connector.Our parts cover such applications as commercial,industrial, and automotives areas.

We are looking forward to setting up business relationship with you and hope to provide you with the best service and solution. Let us make a better world for our industry!



Contact us

Tel: +86-755-8981 8866 Fax: +86-755-8427 6832

Email & Skype: info@chipsmall.com Web: www.chipsmall.com

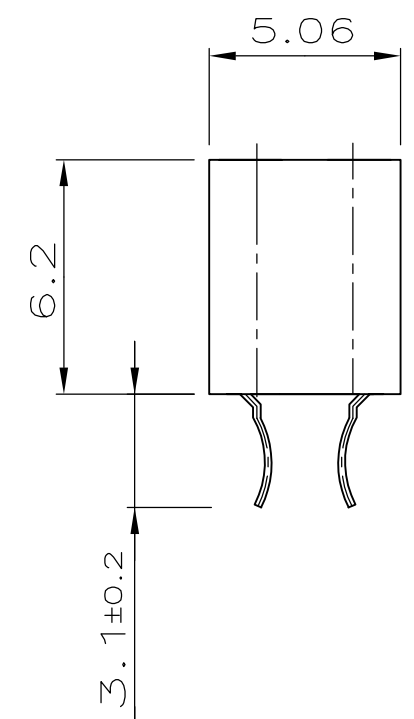
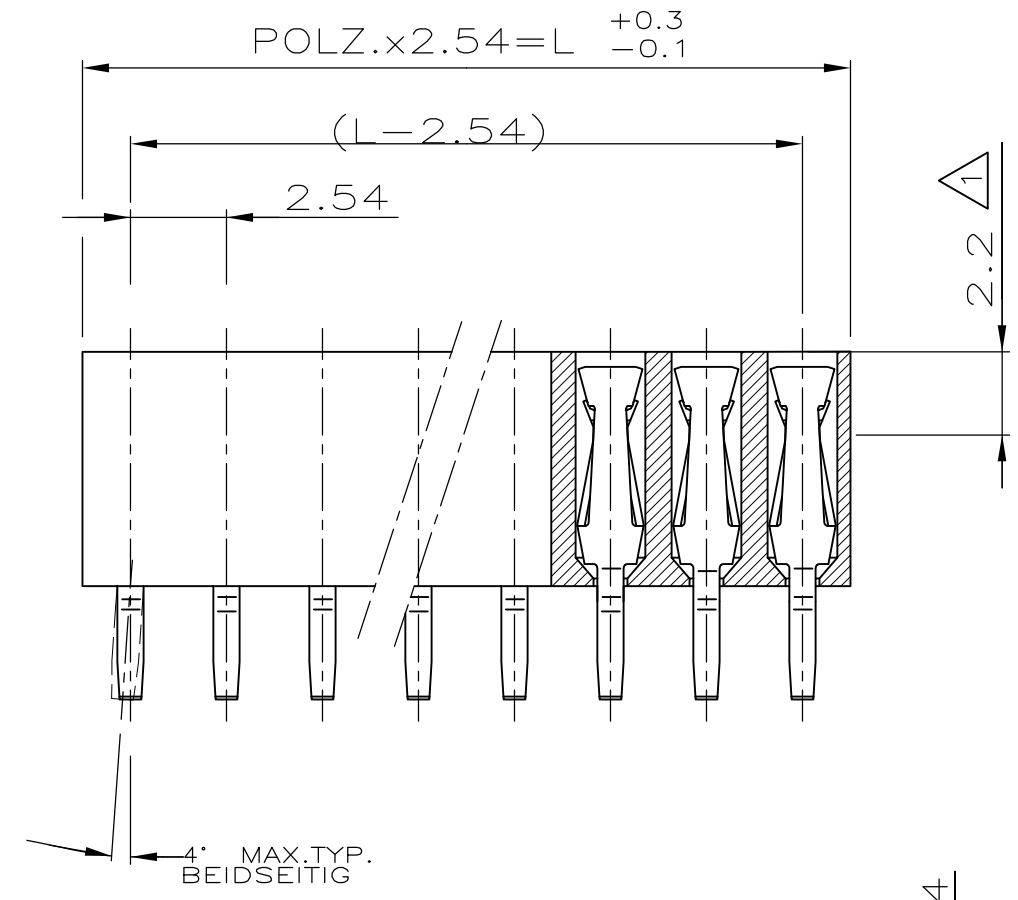
Address: A1208, Overseas Decoration Building, #122 Zhenhua RD., Futian, Shenzhen, China



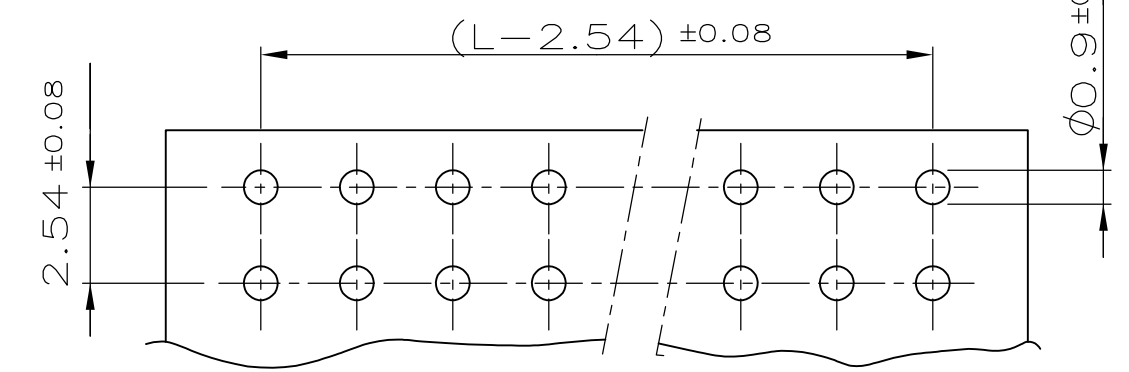
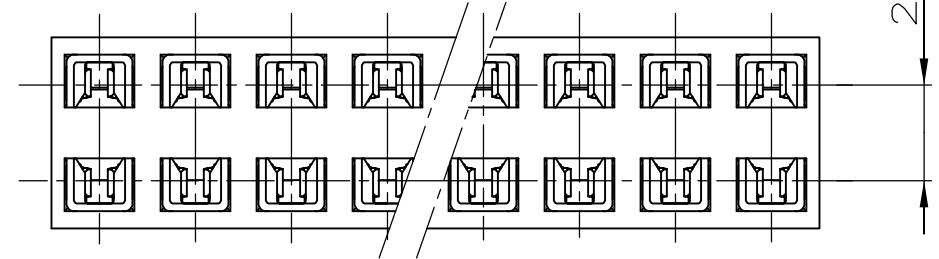
THIS DRAWING IS UNPUBLISHED. RELEASED FOR PUBLICATION
 © COPYRIGHT - By - ALL RIGHTS RESERVED.

LOC	DIST	REVISIONS			
P	LTR	DESCRIPTION	DATE	DWN	APVD
AI	-	VERWENDET FÜR E-88-9829			
	2	LÖTLÄNGE VON 3.0 IN 3.1 GEÄNDERT	16.03.92	-	A.HO
	B	VERPACKUNGSANGABE HINZU	09.01.96	-	F.RDT
	B1	ECR-10-026307	13JAN11	KK	HMR

POLZ. PRO REIHE	L	BESTELL-NR.		
-	-	-		
2	5.08	829 410 2	OBSOLETE	
3	7.62	-3		
4	10.16	-4	OBSOLETE	
5	12.70	-5		
6	15.24	-6	OBSOLETE	
7	17.78	-7		
8	20.32	-8		
9	22.86	-9		
10	25.40	-0	OBSOLETE	
11	27.94	1-	-1	
12	30.48	1-	-2	
13	33.02	1-	-3	
14	35.56	1-	-4	OBSOLETE
15	38.10	1-	-5	OBSOLETE
16	40.64	1-	-6	OBSOLETE
17	43.18	1-	-7	OBSOLETE
18	45.72	1-	-8	OBSOLETE
19	48.26	1-	-9	OBSOLETE
20	50.80	2-	-0	OBSOLETE
21	53.34	2-	-1	OBSOLETE
22	55.88	2-	-2	OBSOLETE
23	58.42	2-	-3	OBSOLETE
24	60.96	2-	-4	OBSOLETE
25	63.50	2-	-5	OBSOLETE
26	66.04	2-	-6	OBSOLETE
27	68.58	2-	-7	OBSOLETE
28	71.12	2-	-8	OBSOLETE
29	73.66	2-	-9	OBSOLETE
30	76.20	3-	-0	OBSOLETE
31	78.74	3-	-1	OBSOLETE
32	81.28	3-	-2	OBSOLETE
33	83.82	3-	-3	OBSOLETE
34	86.36	3-	-4	OBSOLETE
35	88.90	3-	-5	OBSOLETE
36	91.44	3- 829 410 6	OBSOLETE	



- 1 KONTAKTPUNKT
- 2 2.5µm ZINN
- 3. EMPFOHLENE LEITERPLATTENDICKE 1.6mm
- 4. STECKBAR MIT MODU II STIFTEN ϕ/\square 0.63
- 5. HV100 BUCHSENSTECKER VERPACKT IN ANTI-STATISCHEM BLISTER



EMPFOHLENES BOHRBILD

ZEICHNUNG GÜLTIG AB KW .06./96

THIS DRAWING IS A CONTROLLED DOCUMENT.

DIMENSIONS:	TOLERANCES UNLESS OTHERWISE SPECIFIED:
mm	±0.2mm
	0 PLC ±
	1 PLC ±
	2 PLC ±
	3 PLC ±
	4 PLC ±
	ANGLES ±
	FINISH -

DWN	A.HO	31.05.89
CHK	M.SCHAARSCHMIDT	31.05.89
APVD	-	-
PRODUCT SPEC	-	-
APPLICATION SPEC	-	-
WEIGHT	-	-

STE TE Connectivity			
NAME HV 100 BUCHSENSTECKER ZWEIREIHIG			
SIZE	CAGE CODE	DRAWING NO	RESTRICTED TO
A3	00779	C-829410	-
CUSTOMER DRAWING		SCALE 5:1	SHEET 1 OF 1 REV B1

			HV 100 KONTAKT	CuSn	2
			HV 100 GEHÄUSE	PBTP GV	GRÜN
BESTELL-NR.	POS.	STÜCK	BENENNUNG EINZELTEIL	WERKSTOFF	OBERFLÄCHE FARBE