



Chipsmall Limited consists of a professional team with an average of over 10 year of expertise in the distribution of electronic components. Based in Hongkong, we have already established firm and mutual-benefit business relationships with customers from,Europe,America and south Asia,supplying obsolete and hard-to-find components to meet their specific needs.

With the principle of "Quality Parts,Customers Priority,Honest Operation,and Considerate Service",our business mainly focus on the distribution of electronic components. Line cards we deal with include Microchip,ALPS,ROHM,Xilinx,Pulse,ON,Everlight and Freescale. Main products comprise IC,Modules,Potentiometer,IC Socket,Relay,Connector.Our parts cover such applications as commercial,industrial, and automotives areas.

We are looking forward to setting up business relationship with you and hope to provide you with the best service and solution. Let us make a better world for our industry!



Contact us

Tel: +86-755-8981 8866 Fax: +86-755-8427 6832

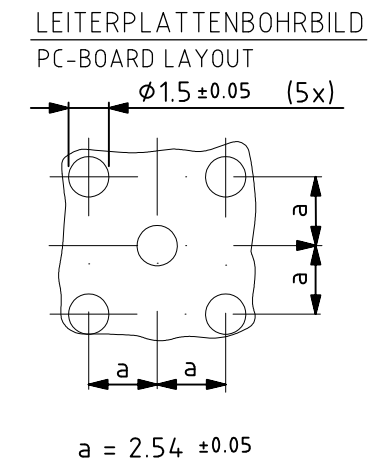
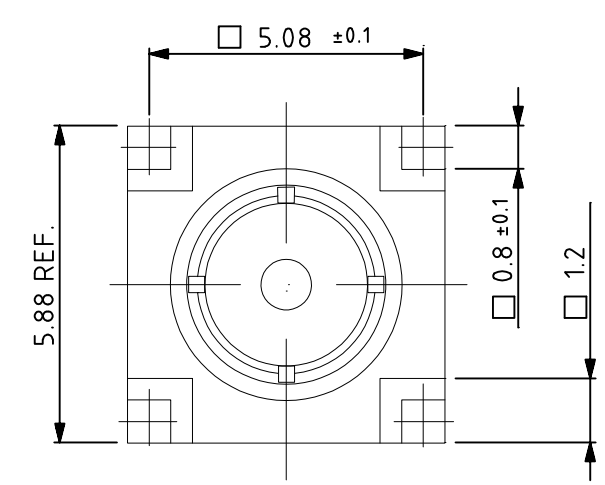
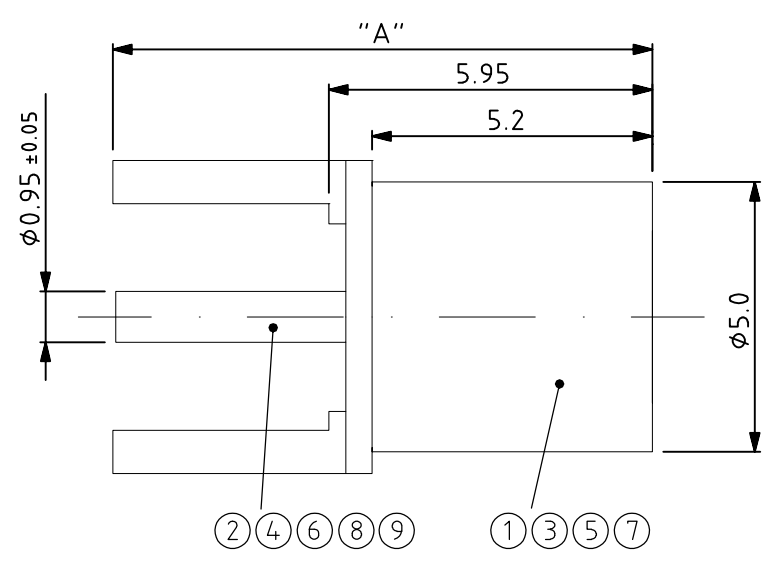
Email & Skype: info@chipsmall.com Web: www.chipsmall.com

Address: A1208, Overseas Decoration Building, #122 Zhenhua RD., Futian, Shenzhen, China



THIS DRAWING IS UNPUBLISHED. RELEASED FOR PUBLICATION
 © COPYRIGHT 2005 BY TYCO ELECTRONICS CORPORATION. ALL RIGHTS RESERVED.

LOC	DIST	REVISIONS					
EK	00	P	LTR	DESCRIPTION	DATE	DWN	APVD
			L1	REVISED PER ECO-09-18178	06AUG2009	KF	KW



- 1 KOAX STECKVERBINDER NACH CECC 22220
COAX CONNECTOR COMPLIES WITH SPEC. CECC 22220
- 2 1 KOAX - KUPPLER IM PLASTIKBEUTEL VERPACKT
1 COAX JACK PACKED IN PLASTIC BAG

- 3 VERGOLDET 112-162-5; 1.3µm MIN DICKE ÜBER Ni 112-25-2; 2.0µm MIN - 4.0µm MAX DICKE
GOLD PL. 112-162-5; 1.3µm MIN THK OVER Ni PL. 112-25-2; 2.0µm MIN - 4.0µm MAX THK
- 4 VERGOLDET 112-162-5; 0.8µm MIN DICKE ÜBER Ni 112-25-2; 2.0µm MIN - 4.0µm MAX DICKE
GOLD PL. 112-162-5; 0.8µm MIN THK OVER Ni PL. 112-25-2; 2.0µm MIN - 4.0µm MAX THK

- 5 VERGOLDET 0.1-0.2µm DICKE ÜBER NOM. 4.0µm Ni P DICKE
0.1-0.2µm Au OVER NOM. 4.0µm Ni P PLATING
- 6 100 KOAX - KUPPLER IM PLASTIKBEUTEL VERPACKT 5 PLASTIKBEUTEL IN 1 KARTON
100 COAX JACK PACKED IN PLASTIC BAG 5 PLASTIC BAGS IN 1 CARTON BOX

DIM "A"	BESTELL-NR. PART-NO.	BESTELL-NR. PART-NO.	POS. ITEM-NO.	STÜCK PIECES	BENENNUNG EINZEL TEIL DESCRIPTION	WERKSTOFF MATERIAL	OBERFLÄCHE PLATING FARBE/COLOUR
8.5	5-829558-5	829558-5	9	1	BUCHSENKONT./FEMALE CONTACT	Cu Be / BZ4	4
			3	1	KUPPLER/JACK	Cu Zn	5
8.5	5-829558-4	829558-4	8	1	BUCHSENKONT./FEMALE CONTACT	Cu Be / BZ4	3
			7	1	KUPPLER/JACK	Cu Zn	4
8.5	5-829558-3	829558-3	6	1	BUCHSENKONT./FEMALE CONTACT	Cu Be / BZ4	5
			5	1	KUPPLER/JACK	Cu Zn	5
10	5-829558-2	829558-2	4	1	BUCHSENKONT./FEMALE CONTACT	Cu Be / BZ4	5
			3	1	KUPPLER/JACK	Cu Zn	5
10	5-829558-1	829558-1	2	1	BUCHSENKONT./FEMALE CONTACT	Cu Be / BZ4	3
			1	1	KUPPLER/JACK	Cu Zn	4

THIS DRAWING IS A CONTROLLED DOCUMENT.

DWN	ZANDER	13FEB91	Tyco Electronics Corporation Harrisburg, PA 17105-3608
CHK			
APVD	FISHCER	13DEC90	COAXICON SERIES MCX, -JACK FOR PCB (PITCH 5.08 mm)
PRODUCT SPEC			
APPLICATION SPEC			SIZE: A3 CAGE CODE: 00779 DRAWING NO: C-829558 RESTRICTED TO:
WEIGHT			SCALE: 1:1 SHEET: 1 OF 1 REV: L1

CUSTOMER DRAWING