



Chipsmall Limited consists of a professional team with an average of over 10 year of expertise in the distribution of electronic components. Based in Hongkong, we have already established firm and mutual-benefit business relationships with customers from,Europe,America and south Asia,supplying obsolete and hard-to-find components to meet their specific needs.

With the principle of “Quality Parts,Customers Priority,Honest Operation,and Considerate Service”,our business mainly focus on the distribution of electronic components. Line cards we deal with include Microchip,ALPS,ROHM,Xilinx,Pulse,ON,Everlight and Freescale. Main products comprise IC,Modules,Potentiometer,IC Socket,Relay,Connector.Our parts cover such applications as commercial,industrial, and automotives areas.

We are looking forward to setting up business relationship with you and hope to provide you with the best service and solution. Let us make a better world for our industry!



Contact us

Tel: +86-755-8981 8866 Fax: +86-755-8427 6832

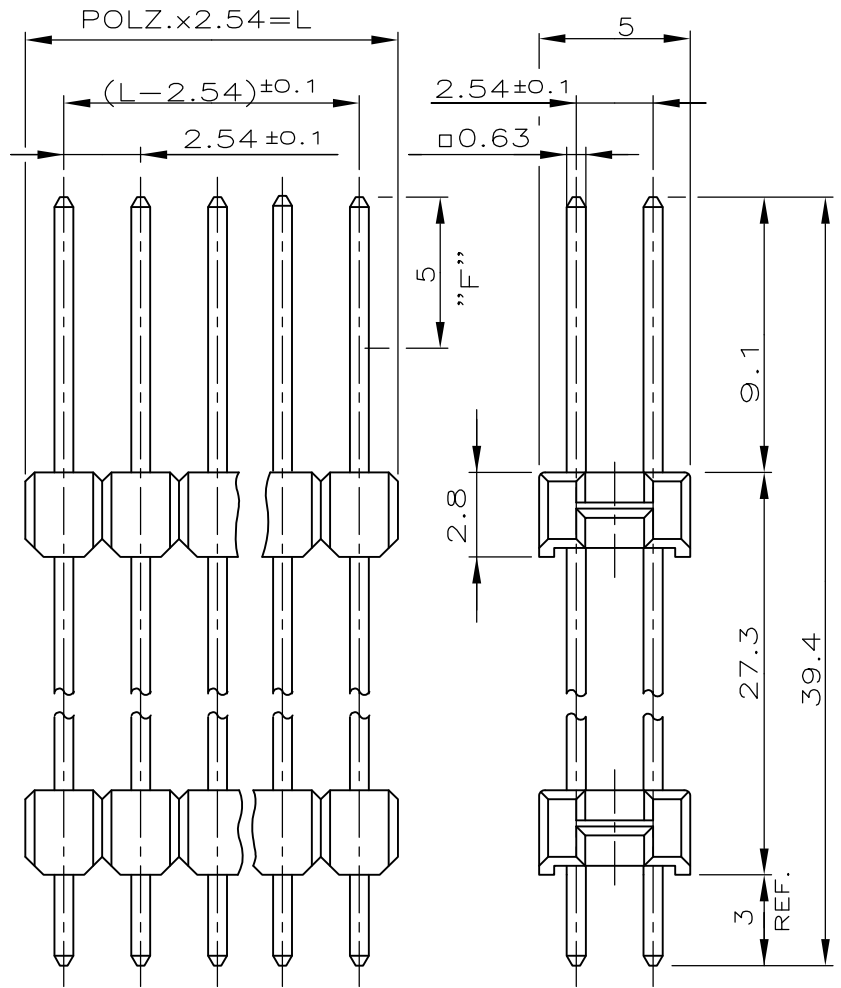
Email & Skype: info@chipsmall.com Web: www.chipsmall.com

Address: A1208, Overseas Decoration Building, #122 Zhenhua RD., Futian, Shenzhen, China



LOC	DIST	REVISIONS					
		P	LTR	DESCRIPTION	DATE	DWN	APVD
NUMMER	829822		01	S.P.C. MAß ENTFÄLLT	07.12.94	—	A.HO
VERWENDET FÜR	E91-52529		02	REVISED PER ECO-09-023929	15OCT09	—	AEG
WAR NR.	E91-52529		03	ECR-10-026307	13JAN11	KK	HMR

POLZ-PRO-REIHE	L±0.4	BESTELL-NR.
—	—	—
2	5.08	-2
3	7.62	3
4	10.16	-4
5	12.70	-5
6	15.24	-6
7	17.78	829 822 -7
8	20.32	-8
9	22.86	9
10	25.40	1-0
11	27.94	1-1
12	30.48	1-2
13	33.02	1-3
14	35.56	1-4
15	38.10	1-5
16	40.64	1-6
17	43.18	1-7
18	45.72	1-8
19	48.26	1-9
20	50.80	2-0
21	53.34	2-1
22	55.88	2-2
23	58.42	2-3
24	60.96	2-4
25	63.50	2-5
26	66.04	2-6
27	68.58	2-7
28	71.12	2-8
29	73.66	2-9
30	76.20	3-0
31	78.74	3-1
32	81.28	3-2
33	83.82	3-3
34	86.36	3-4
35	88.90	3-5
36	91.44	3-6
37	93.98	3-7
38	96.52	3-8
39	99.06	3-9
40	101.60	4-0
41	104.14	4-1
42	106.68	4-2
43	109.22	4-3
44	111.76	4-4
45	114.30	4-5
46	116.84	4-6
47	119.38	4-7
48	121.92	4-8
49	124.46	4-9
50	127.00	5-829 822 -0



- ① STECKSEITE: IM BEREICH "F" 0.8 µm GOLD ÜBER 1.27 µm NICKEL
LÖTSEITE: MIN. 2.5 µm ZINN ÜBER 1.27 µm NICKEL
- ② OBSOLETE PARTS: OBSOLETE CIS STREAMLINING PER D.RENAUD/D.SINISI
- ③ OBSOLETE

KONTAKT	Cu Sn	①
STIFTGEHÄUSE	PBTP GV	GRÜN
BENENNUNG	WERKSTOFF	OBERFLÄCHE
		FARBE

ZEICHNUNG GÜLTIG AB KW 50/94.

DIMENSIONS: mm	DWN	A.HO	12.03.91	MATERIAL	—	FINISH	—
	CHK	M.SCHAARSCHMIDT	13.03.91	TE Connectivity			
TOLERANCES UNLESS OTHERWISE SPECIFIED: ±0.2 mm	APVD	—	—				
0 PLC ± -	PRODUCT SPEC	—	—	SIZE	CAGE CODE	DRAWING NO	RESTRICTED TO
1 PLC ± -	APPLICATION SPEC	—	—	A4	00779	829822	—
2 PLC ± -	WEIGHT	—	—	CUSTOMER DRAWING			SCALE
3 PLC ± -							4:1
4 PLC ± -							SHEET
ANGLES ± *							1 OF 1
							REV
							03

