



Chipsmall Limited consists of a professional team with an average of over 10 year of expertise in the distribution of electronic components. Based in Hongkong, we have already established firm and mutual-benefit business relationships with customers from,Europe,America and south Asia,supplying obsolete and hard-to-find components to meet their specific needs.

With the principle of “Quality Parts,Customers Priority,Honest Operation,and Considerate Service”,our business mainly focus on the distribution of electronic components. Line cards we deal with include Microchip,ALPS,ROHM,Xilinx,Pulse,ON,Everlight and Freescale. Main products comprise IC,Modules,Potentiometer,IC Socket,Relay,Connector.Our parts cover such applications as commercial,industrial, and automotives areas.

We are looking forward to setting up business relationship with you and hope to provide you with the best service and solution. Let us make a better world for our industry!



Contact us

Tel: +86-755-8981 8866 Fax: +86-755-8427 6832

Email & Skype: info@chipsmall.com Web: www.chipsmall.com

Address: A1208, Overseas Decoration Building, #122 Zhenhua RD., Futian, Shenzhen, China





Dual T1/E1/J1 Long Haul / Short Haul Transceiver IDT82P2282

**Version 10
August 20, 2009**

6024 Silver Creek Valley Road, San Jose, CA 95138
Telephone: (800) 345-7015 • TWX: 910-338-2070 • FAX: (408) 284-2775
Printed in U.S.A.
© 2008 Integrated Device Technology, Inc.

DISCLAIMER

Integrated Device Technology, Inc. reserves the right to make changes to its products or specifications at any time, without notice, in order to improve design or performance and to supply the best possible product. IDT does not assume any responsibility for use of any circuitry described other than the circuitry embodied in an IDT product. The Company makes no representations that circuitry described herein is free from patent infringement or other rights of third parties which may result from its use. No license is granted by implication or otherwise under any patent, patent rights or other rights, of Integrated Device Technology, Inc.

LIFE SUPPORT POLICY

Integrated Device Technology's products are not authorized for use as critical components in life support devices or systems unless a specific written agreement pertaining to such intended use is executed between the manufacturer and an officer of IDT.

1. Life support devices or systems are devices or systems which (a) are intended for surgical implant into the body or (b) support or sustain life and whose failure to perform, when properly used in accordance with instructions for use provided in the labeling, can be reasonably expected to result in a significant injury to the user.
 2. A critical component is any components of a life support device or system whose failure to perform can be reasonably expected to cause the failure of the life support device or system, or to affect its safety or effectiveness.
-



Table of Contents

FEATURES	12
APPLICATIONS	12
BLOCK DIAGRAM	13
1 PIN ASSIGNMENT	14
2 PIN DESCRIPTION	15
3 FUNCTIONAL DESCRIPTION	22
3.1 T1 / E1 / J1 MODE SELECTION	24
3.2 RECEIVER IMPEDANCE MATCHING	25
3.2.1 Line Monitor	25
3.3 ADAPTIVE EQUALIZER	28
3.4 DATA SLICER	28
3.5 CLOCK AND DATA RECOVERY	28
3.6 RECEIVE JITTER ATTENUATOR	29
3.7 DECODER	30
3.7.1 Line Code Rule	30
3.7.1.1 T1 / J1 Mode	30
3.7.1.2 E1 Mode	30
3.7.2 Decode Error Detection	30
3.7.2.1 T1 / J1 Mode	30
3.7.2.2 E1 Mode	30
3.7.3 LOS Detection	31
3.8 FRAME PROCESSOR	34
3.8.1 T1/J1 Mode	34
3.8.1.1 Synchronization Searching	34
3.8.1.1.1 Super Frame (SF) Format	34
3.8.1.1.2 Extended Super Frame (ESF) Format	35
3.8.1.1.3 T1 Digital Multiplexer (DM) Format (T1 only)	36
3.8.1.1.4 Switch Line Carrier - 96 (SLC-96) Format (T1 only)	37
3.8.1.2 Error Event And Out Of Synchronization Detection	38
3.8.1.2.1 Super Frame (SF) Format	38
3.8.1.2.2 Extended Super Frame (ESF) Format	38
3.8.1.2.3 T1 Digital Multiplexer (DM) Format (T1 only)	38
3.8.1.2.4 Switch Line Carrier - 96 (SLC-96) Format (T1 only)	38
3.8.1.3 Overhead Extraction (T1 Mode SLC-96 Format Only)	39
3.8.1.4 Interrupt Summary	39
3.8.2 E1 Mode	41
3.8.2.1 Synchronization Searching	43
3.8.2.1.1 Basic Frame	43
3.8.2.1.2 CRC Multi-Frame	44
3.8.2.1.3 CAS Signaling Multi-Frame	45
3.8.2.2 Error Event And Out Of Synchronization Detection	45
3.8.2.2.1 Out Of Basic Frame Synchronization	46
3.8.2.2.2 Out Of CRC Multi-Frame Synchronization	46
3.8.2.2.3 Out Of CAS Signaling Multi-Frame Synchronization	46
3.8.2.3 Overhead Extraction	46
3.8.2.3.1 International Bit Extraction	46
3.8.2.3.2 Remote Alarm Indication Bit Extraction	46

- 3.8.2.3.3 National Bit Extraction 46
- 3.8.2.3.4 National Bit Codeword Extraction 46
- 3.8.2.3.5 Extra Bit Extraction 46
- 3.8.2.3.6 Remote Signaling Multi-Frame Alarm Indication Bit Extraction 46
- 3.8.2.3.7 Sa6 Code Detection Per ETS 300 233 46
- 3.8.2.4 V5.2 Link 47
- 3.8.2.5 Interrupt Summary 47
- 3.9 PERFORMANCE MONITOR 49**
 - 3.9.1 T1/J1 Mode 49
 - 3.9.2 E1 Mode 51
- 3.10 ALARM DETECTOR 53**
 - 3.10.1 T1/J1 Mode 53
 - 3.10.2 E1 Mode 55
- 3.11 HDLC RECEIVER 56**
 - 3.11.1 HDLC Channel Configuration 56
 - 3.11.2 HDLC Mode 56
- 3.12 BIT-ORIENTED MESSAGE RECEIVER 59**
- 3.13 INBAND LOOPBACK CODE DETECTOR (T1/J1 ONLY) 59**
- 3.14 ELASTIC STORE BUFFER 60**
- 3.15 RECEIVE CAS/RBS BUFFER 60**
 - 3.15.1 T1/J1 Mode 60
 - 3.15.2 E1 Mode 61
- 3.16 RECEIVE PAYLOAD CONTROL 63**
- 3.17 RECEIVE SYSTEM INTERFACE 65**
 - 3.17.1 T1/J1 Mode 65**
 - 3.17.1.1 Receive Clock Master Mode 65
 - 3.17.1.1.1 Receive Clock Master Full T1/J1 Mode 65
 - 3.17.1.1.2 Receive Clock Master Fractional T1/J1 Mode 66
 - 3.17.1.2 Receive Clock Slave Mode 66
 - 3.17.1.3 Receive Multiplexed Mode 67
 - 3.17.1.4 Offset 67
 - 3.17.1.5 Output On RSDn/MRSD & RSIGn/MRSIG 70
 - 3.17.2 E1 Mode 70**
 - 3.17.2.1 Receive Clock Master Mode 70
 - 3.17.2.1.1 Receive Clock Master Full E1 Mode 70
 - 3.17.2.1.2 Receive Clock Master Fractional E1 Mode 70
 - 3.17.2.2 Receive Clock Slave Mode 70
 - 3.17.2.3 Receive Multiplexed Mode 71
 - 3.17.2.4 Offset 71
 - 3.17.2.5 Output On RSDn/MRSD & RSIGn/MRSIG 71
- 3.18 TRANSMIT SYSTEM INTERFACE 73**
 - 3.18.1 T1/J1 Mode 73**
 - 3.18.1.1 Transmit Clock Master Mode 73
 - 3.18.1.1.1 Transmit Clock Master Full T1/J1 Mode 73
 - 3.18.1.1.2 Transmit Clock Master Fractional T1/J1 Mode 73
 - 3.18.1.2 Transmit Clock Slave Mode 74
 - 3.18.1.3 Transmit Multiplexed Mode 75
 - 3.18.1.4 Offset 76
 - 3.18.2 E1 Mode 79**
 - 3.18.2.1 Transmit Clock Master Mode 79
 - 3.18.2.1.1 Transmit Clock Master Full E1 Mode 79
 - 3.18.2.1.2 Transmit Clock Master Fractional E1 Mode 79
 - 3.18.2.2 Transmit Clock Slave Mode 79
 - 3.18.2.3 Transmit Multiplexed Mode 80

- 3.18.2.4 Offset 80
- 3.19 TRANSMIT PAYLOAD CONTROL 81**
- 3.20 FRAME GENERATOR 82**
 - 3.20.1 Generation 82**
 - 3.20.1.1 T1 / J1 Mode 82
 - 3.20.1.1.1 Super Frame (SF) Format 82
 - 3.20.1.1.2 Extended Super Frame (ESF) Format 82
 - 3.20.1.1.3 T1 Digital Multiplexer (DM) Format (T1 only) 82
 - 3.20.1.1.4 Switch Line Carrier - 96 (SLC-96) Format (T1 only) 82
 - 3.20.1.1.5 Interrupt Summary 83
 - 3.20.1.2 E1 Mode 84
 - 3.20.1.2.1 Interrupt Summary 85
 - 3.20.2 HDLC Transmitter 87**
 - 3.20.2.1 HDLC Channel Configuration 87
 - 3.20.2.2 HDLC Mode 87
 - 3.20.2.2.1 HDLC Mode 87
 - 3.20.2.3 Interrupt Summary 87
 - 3.20.2.4 Reset 87
 - 3.20.3 Automatic Performance Report Message (T1/J1 Only) 89**
 - 3.20.4 Bit-Oriented Message Transmitter (T1/J1 Only) 90**
 - 3.20.5 Inband Loopback Code Generator (T1/J1 Only) 90**
 - 3.20.6 All 'Zero's & All 'One's 90**
 - 3.20.7 Change Of Frame Alignment 90**
- 3.21 TRANSMIT BUFFER 91**
- 3.22 ENCODER 91**
 - 3.22.1 Line Code Rule 91**
 - 3.22.1.1 T1/J1 Mode 91
 - 3.22.1.2 E1 Mode 91
 - 3.22.2 BPV Error Insertion 91**
 - 3.22.3 All 'One's Insertion 91**
- 3.23 TRANSMIT JITTER ATTENUATOR 92**
- 3.24 WAVEFORM SHAPER / LINE BUILD OUT 93**
 - 3.24.1 Preset Waveform Template 93**
 - 3.24.1.1 T1/J1 Mode 93
 - 3.24.1.2 E1 Mode 93
 - 3.24.2 Line Build Out (LBO) (T1 Only) 94**
 - 3.24.3 User-Programmable Arbitrary Waveform 94**
- 3.25 LINE DRIVER 101**
- 3.26 TRANSMITTER IMPEDANCE MATCHING 102**
- 3.27 TESTING AND DIAGNOSTIC FACILITIES 103**
 - 3.27.1 PRBS Generator / Detector 103**
 - 3.27.1.1 Pattern Generator 103
 - 3.27.1.2 Pattern Detector 103
 - 3.27.2 Loopback 104**
 - 3.27.2.1 System Loopback 104
 - 3.27.2.1.1 System Remote Loopback 104
 - 3.27.2.1.2 System Local Loopback 104
 - 3.27.2.2 Payload Loopback 104
 - 3.27.2.3 Local Digital Loopback 1 104
 - 3.27.2.4 Remote Loopback 104
 - 3.27.2.5 Local Digital Loopback 2 104
 - 3.27.2.6 Analog Loopback 104
 - 3.27.3 G.772 Non-Intrusive Monitoring 104**
- 3.28 INTERRUPT SUMMARY 107**

4	OPERATION	108
4.1	POWER-ON SEQUENCE	108
4.2	RESET	108
4.3	RECEIVE / TRANSMIT PATH POWER DOWN	108
4.4	MICROPROCESSOR INTERFACE	109
4.4.1	SPI Mode	109
4.4.2	Parallel Microprocessor Interface	110
4.5	INDIRECT REGISTER ACCESS SCHEME	111
4.5.1	Indirect Register Read Access	111
4.5.2	Indirect Register Write Access	111
5	PROGRAMMING INFORMATION	112
5.1	REGISTER MAP	112
5.1.1	T1/J1 Mode	112
5.1.1.1	Direct Register	112
5.1.1.2	Indirect Register	117
5.1.2	E1 Mode	118
5.1.2.1	Direct Register	118
5.1.2.2	Indirect Register	123
5.2	REGISTER DESCRIPTION	125
5.2.1	T1/J1 Mode	126
5.2.1.1	Direct Register	126
5.2.1.2	Indirect Register	227
5.2.2	E1 Mode	240
5.2.2.1	Direct Register	240
5.2.2.2	Indirect Register	342
6	IEEE STD 1149.1 JTAG TEST ACCESS PORT	357
6.1	JTAG INSTRUCTIONS AND INSTRUCTION REGISTER (IR)	358
6.2	JTAG DATA REGISTER	359
6.2.1	Device Identification Register (IDR)	359
6.2.2	Bypass Register (BYP)	359
6.2.3	Boundary Scan Register (BSR)	359
6.3	TEST ACCESS PORT CONTROLLER	361
7	PHYSICAL AND ELECTRICAL SPECIFICATIONS	364
7.1	ABSOLUTE MAXIMUM RATINGS	364
7.2	RECOMMENDED OPERATING CONDITIONS	364
7.3	D.C. CHARACTERISTICS	365
7.4	DIGITAL I/O TIMING CHARACTERISTICS	366
7.4.1	In Non-Multiplexed Mode	366
7.4.2	In Multiplexed Mode	367
7.5	CLOCK FREQUENCY REQUIREMENT	367
7.6	T1/J1 LINE RECEIVER ELECTRICAL CHARACTERISTICS	368
7.7	E1 LINE RECEIVER ELECTRICAL CHARACTERISTICS	369
7.8	T1/J1 LINE TRANSMITTER ELECTRICAL CHARACTERISTICS	370
7.9	E1 LINE TRANSMITTER ELECTRICAL CHARACTERISTICS	371
7.10	JITTER TOLERANCE	372
7.10.1	T1/J1 Mode	372
7.10.2	E1 Mode	373
7.11	JITTER TRANSFER	374
7.11.1	T1/J1 Mode	374
7.11.2	E1 Mode	375
7.12	MICROPROCESSOR TIMING SPECIFICATION	376
7.12.1	Motorola Non-Multiplexed Mode	376
7.12.1.1	Read Cycle Specification	376

7.12.1.2 Write Cycle Specification 377

7.12.2 Intel Non-Multiplexed Mode 378

7.12.2.1 Read Cycle Specification 378

7.12.2.2 Write Cycle Specification 379

7.12.3 SPI Mode 380

ORDERING INFORMATION 381

DOCUMENT HISTORY 381



List of Tables

Table 1: Operating Mode Selection	24
Table 2: Related Bit / Register In Chapter 3.1	24
Table 3: Impedance Matching Value For The Receiver	25
Table 4: Related Bit / Register In Chapter 3.2	27
Table 5: Related Bit / Register In Chapter 3.3 & Chapter 3.4	28
Table 6: Criteria Of Speed Adjustment Start	29
Table 7: Related Bit / Register In Chapter 3.6	29
Table 8: Excessive Zero Error Definition	30
Table 9: LOS Condition In T1/J1 Mode	32
Table 10: LOS Condition In E1 Mode	32
Table 11: Related Bit / Register In Chapter 3.7	33
Table 12: The Structure of SF	34
Table 13: The Structure of ESF	35
Table 14: The Structure of T1 DM	36
Table 15: The Structure of SLC-96	37
Table 16: Interrupt Source In T1/J1 Frame Processor	39
Table 17: Related Bit / Register In Chapter 3.8.1	40
Table 18: The Structure Of TS0 In CRC Multi-Frame	44
Table 19: FAS/NFAS Bit/Pattern Error Criteria	45
Table 20: Interrupt Source In E1 Frame Processor	47
Table 21: Related Bit / Register In Chapter 3.8.2	48
Table 22: Monitored Events In T1/J1 Mode	49
Table 23: Related Bit / Register In Chapter 3.9.1	50
Table 24: Monitored Events In E1 Mode	51
Table 25: Related Bit / Register In Chapter 3.9.2	52
Table 26: RED Alarm, Yellow Alarm & Blue Alarm Criteria	53
Table 27: Related Bit / Register In Chapter 3.10.1	54
Table 28: Related Bit / Register In Chapter 3.10.2	55
Table 29: Related Bit / Register In Chapter 3.11.1	56
Table 30: Interrupt Summarize In HDLC Mode	57
Table 31: Related Bit / Register In Chapter 3.11.2	58
Table 32: Related Bit / Register In Chapter 3.12	59
Table 33: Related Bit / Register In Chapter 3.13	59
Table 34: Related Bit / Register In Chapter 3.14	60
Table 35: Related Bit / Register In Chapter 3.15	62
Table 36: A-Law Digital Milliwatt Pattern	63
Table 37: μ -Law Digital Milliwatt Pattern	63
Table 38: Related Bit / Register In Chapter 3.16	64
Table 39: Operating Modes Selection In T1/J1 Receive Path	65
Table 40: Operating Modes Selection In E1 Receive Path	70
Table 41: Related Bit / Register In Chapter 3.17	72
Table 42: Operating Modes Selection In T1/J1 Transmit Path	73
Table 43: Operating Modes Selection In E1 Transmit Path	79
Table 44: Related Bit / Register In Chapter 3.18	80
Table 45: Related Bit / Register In Chapter 3.19	81
Table 46: Related Bit / Register In Chapter 3.20.1.1	83
Table 47: E1 Frame Generation	84
Table 48: Control Over E Bits	84

Table 49: Interrupt Summary In E1 Mode	85
Table 50: Related Bit / Register In Chapter 3.20.1.2	86
Table 51: Related Bit / Register In Chapter 3.20.2.1	87
Table 52: Related Bit / Register In Chapter 3.20.2.2 ~ Chapter 3.20.2.4	88
Table 53: APRM Message Format	89
Table 54: APRM Interpretation	89
Table 55: Related Bit / Register In Chapter 3.20.3	90
Table 56: Related Bit / Register In Chapter 3.20.4 & Chapter 3.20.5	90
Table 57: Related Bit / Register In Chapter 3.20.6, Chapter 3.20.7 & Chapter 3.21	91
Table 58: Related Bit / Register In Chapter 3.22	91
Table 59: Related Bit / Register In Chapter 3.23	92
Table 60: PULS[3:0] Setting In T1/J1 Mode	93
Table 61: LBO PULS[3:0] Setting In T1 Mode	94
Table 62: Transmit Waveform Value For E1 75 Ohm	95
Table 63: Transmit Waveform Value For E1 120 Ohm	95
Table 64: Transmit Waveform Value For T1 0~133 ft	96
Table 65: Transmit Waveform Value For T1 133~266 ft	96
Table 66: Transmit Waveform Value For T1 266~399 ft	97
Table 67: Transmit Waveform Value For T1 399~533 ft	97
Table 68: Transmit Waveform Value For T1 533~655 ft	98
Table 69: Transmit Waveform Value For J1 0~655ft	98
Table 70: Transmit Waveform Value For DS1 0 dB LBO	99
Table 71: Transmit Waveform Value For DS1 -7.5 dB LBO	99
Table 72: Transmit Waveform Value For DS1 -15.0 dB LBO	100
Table 73: Transmit Waveform Value For DS1 -22.5 dB LBO	100
Table 74: Related Bit / Register In Chapter 3.24	100
Table 75: Impedance Matching Value For The Transmitter	102
Table 76: Related Bit / Register In Chapter 3.25 & Chapter 3.26	102
Table 77: Related Bit / Register In Chapter 3.27.1	103
Table 78: Related Bit / Register In Chapter 3.27.2 & Chapter 3.27.3	106
Table 79: Related Bit / Register In Chapter 3.28	107
Table 80: Parallel Microprocessor Interface	110
Table 81: Related Bit / Register In Chapter 4	111
Table 82: IR Code	358
Table 83: IDR	359
Table 84: Boundary Scan (BS) Sequence	359
Table 85: TAP Controller State Description	361



List of Figures

Figure 1. 100-Pin TQFP (Top View)	14
Figure 2. Receive / Transmit Line Circuit	25
Figure 3. Receive Path Monitoring (Twisted Pair)	26
Figure 4. Transmit Path Monitoring (Twisted Pair)	26
Figure 5. Receive Path Monitoring (COAX)	27
Figure 6. Transmit Path Monitoring(COAX)	27
Figure 7. Jitter Attenuator	29
Figure 8. AMI Bipolar Violation Error	31
Figure 9. B8ZS Excessive Zero Error	31
Figure 10. HDB3 Code Violation & Excessive Zero Error	31
Figure 11. E1 Frame Searching Process	42
Figure 12. Basic Frame Searching Process	43
Figure 13. TS16 Structure Of CAS Signaling Multi-Frame	45
Figure 14. Standard HDLC Packet	56
Figure 15. Overhead Indication In The FIFO	57
Figure 16. Signaling Output In T1/J1 Mode	61
Figure 17. Signaling Output In E1 Mode	61
Figure 18. T1/J1 To E1 Format Mapping - G.802 Mode	66
Figure 19. T1/J1 To E1 Format Mapping - One Filler Every Fourth Channel Mode	66
Figure 20. T1/J1 To E1 Format Mapping - Continuous Channels Mode	67
Figure 21. No Offset When FE = 1 & DE = 1 In Receive Path	68
Figure 22. No Offset When FE = 0 & DE = 0 In Receive Path	68
Figure 23. No Offset When FE = 0 & DE = 1 In Receive Path	69
Figure 24. No Offset When FE = 1 & DE = 0 In Receive Path	69
Figure 25. E1 To T1/J1 Format Mapping - G.802 Mode	74
Figure 26. E1 To T1/J1 Format Mapping - One Filler Every Fourth Channel Mode	74
Figure 27. E1 To T1/J1 Format Mapping - Continuous Channels Mode	75
Figure 28. No Offset When FE = 1 & DE = 1 In Transmit Path	76
Figure 29. No Offset When FE = 0 & DE = 0 In Transmit Path	76
Figure 30. No Offset When FE = 0 & DE = 1 In Transmit Path	77
Figure 31. No Offset When FE = 1 & DE = 0 In Transmit Path	77
Figure 32. DSX-1 Waveform Template	93
Figure 33. T1/J1 Pulse Template Measurement Circuit	93
Figure 34. E1 Waveform Template	93
Figure 35. E1 Pulse Template Measurement Circuit	93
Figure 36. G.772 Non-Intrusive Monitor	105
Figure 37. Hardware Reset When Powered-Up	108
Figure 38. Hardware Reset In Normal Operation	108
Figure 39. Read Operation In SPI Mode	109
Figure 40. Write Operation In SPI Mode	109
Figure 41. JTAG Architecture	357
Figure 42. JTAG State Diagram	363
Figure 43. I/O Timing in Non-Multiplexed Mode	366
Figure 44. I/O Timing in Multiplexed Mode	367
Figure 45. T1/J1 Jitter Tolerance Performance Requirement	372
Figure 46. E1 Jitter Tolerance Performance Requirement	373
Figure 47. T1/J1 Jitter Transfer Performance Requirement (AT&T62411 / GR-253-CORE / TR-TSY-000009)	374
Figure 48. E1 Jitter Transfer Performance Requirement (G.736)	375

Figure 49. Motorola Non-Multiplexed Mode Read Cycle 376
Figure 50. Motorola Non-Multiplexed Mode Write Cycle 377
Figure 51. Intel Non-Multiplexed Mode Read Cycle 378
Figure 52. Intel Non-Multiplexed Mode Write Cycle 379
Figure 53. SPI Timing Diagram 380



Dual T1/E1/J1 Long Haul / Short Haul Transceiver

IDT82P2282

FEATURES

LINE INTERFACE

- Each link can be configured as T1, E1 or J1
- Supports T1/E1/J1 long haul/short haul line interface
- HPS for 1+1 protection without external relays
- Receive sensitivity exceeds -36 dB @ 772 Hz and -43 dB @ 1024 Hz
- Selectable internal line termination impedance: 100 Ω (for T1), 75 Ω / 120 Ω (for E1) and 110 Ω (for J1)
- Supports AMI/B8ZS (for T1/J1) and AMI/HDB3 (for E1) line encoding/decoding
- Provides T1/E1/J1 short haul pulse templates, long haul LBO (per ANSI T1.403 and FCC68: 0 dB, -7.5 dB, -15 dB, -22 dB) and user-programmable arbitrary pulse template
- Supports G.772 non-intrusive monitoring
- Supports T1.102 line monitor
- Transmit line short-circuit detection and protection
- Separate Transmit and Receive Jitter Attenuators (2 per link)
- Indicates the interval between the write pointer and the read pointer of the FIFO in JA
- Loss of signal indication with programmable thresholds according to ITUT-T G.775, ETS 300 233 (E1) and ANSI T1.403 (T1/J1)
- Supports Analog Loopback, Digital Loopback and Remote Loopback
- Each receiver and transmitter can be individually powered down

FRAMER

- Each link can be configured as T1, E1 or J1
- Frame alignment/generation for T1 (per ITU-T G.704, TA-TSY-000278, TR-TSY-000008), E1 (per ITU-T G.704), J1 (per JT G.704) and un-framed mode
- Supports T1/J1 Super Frame and Extended Super Frame, T1 Digital Multiplexer and Switch Line Carrier - 96, E1 CRC Multi-frame and Signaling Multi-frame
- Signaling extraction/insertion for CAS and RBS signaling
- Provides programmable system interface supporting Mitel™ ST-bus, AT&T™ CHI and MVIP bus, 8.192 Mb/s multiplexed bus and 1.544 Mb/s or 2.048 Mb/s non-multiplexed bus
- Three HDLC controllers per link with separate 128-byte transmit and receive FIFOs per controller
- Programmable bit insertion and bit inversion on per channel/ timeslot basis
- Provides Bit Oriented Message (BOM) generation and detection
- Provides Automatic Performance Report Message (APRM) generation
- Detects and generates alarms (AIS, RAI)

- Provides performance monitor to count Bipolar Violation error, Excess Zero error, CRC error, framing bit error, far end CRC error, out of frame and change of framing alignment position
- Supports System Loopback, Payload Loopback, Digital Loopback and Inband Loopback
- Detects and generates selectable PRBS and QRSS
- Transmission and Extraction of Synchronization Supply Message (SSM) in BITS application

CONTROL INTERFACE

- Supports Serial Peripheral Interface (SPI) microprocessor and parallel Intel/Motorola non-multiplexed microprocessor interface
- Global hardware and software reset
- One general purpose I/O pin
- Per link power down

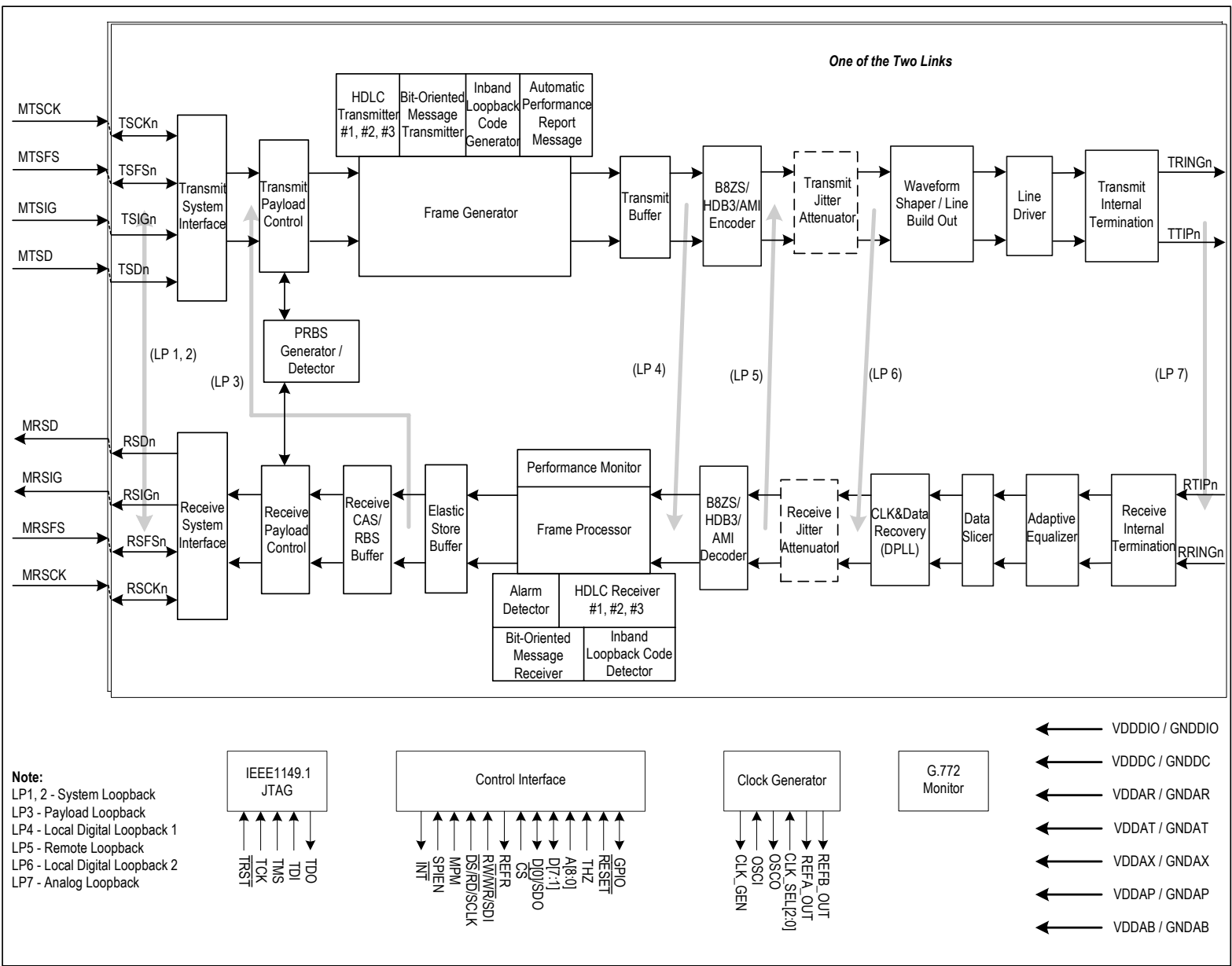
GENERAL

- Flexible reference clock (N x 1.544 MHz or N x 2.048 MHz) (0<N<5)
- JTAG boundary scan
- 3.3 V I/O with 5 V tolerant inputs
- Low power consumption (Typical 270 mW)
- 3.3 V and 1.8 V power supply
- 100-pin TQFP package

APPLICATIONS

- C.O, PABX, ISDN PRI
- Wireless Base Stations
- T1/E1/J1 ATM Gateways, Multiplexer
- T1/E1/J1 Access Networks
- LAN/WAN Router
- Digital Cross Connect
- SONET/SDH Add/Drop Equipment
- Clock recovery at 1.544 MHz / 2.048 MHz for BITS application with SSM support

BLOCK DIAGRAM



1 PIN ASSIGNMENT

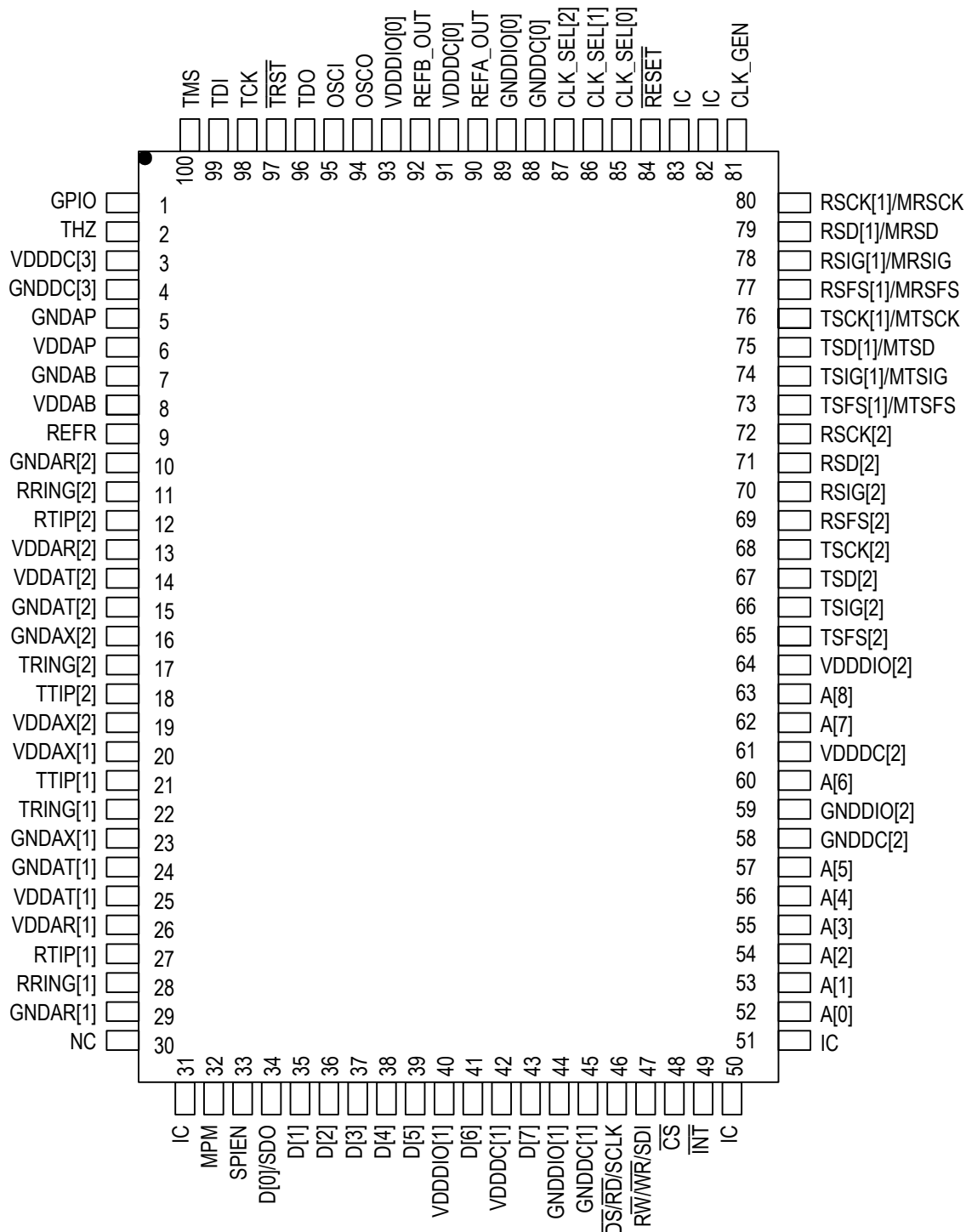


Figure 1. 100-Pin TQFP (Top View)

2 PIN DESCRIPTION

Name	Type	Pin No.	Description
Line and System Interface			
RTIP[1] RTIP[2]	Input	27 12	RTIP[1:2] / RRING[1:2]: Receive Bipolar Tip/Ring for Link 1 ~ 2 These pins are the differential line receiver inputs.
RRING[1] RRING[2]		28 11	
TTIP[1] TTIP[2]	Output	21 18	TTIP[1:2] / TRING[1:2]: Transmit Bipolar Tip/Ring for Link 1 ~ 2 These pins are the differential line driver outputs and can be set to high impedance state globally or individually. A logic high on the THZ pin sets all these pins to high impedance state. When the T_HZ bit (b4, T1/J1-023H,... / b4, E1-023H,...) * is set to '1', the TTIPn/TRINGn pins in the corresponding link are set to high impedance state.
TRING[1] TRING[2]		22 17	Besides, TTIPn/TRINGn will also be set to high impedance state by other ways (refer to Chapter 3.25 Line Driver for details).
RSD[1] / MRSD RSD[2]	Output	79 71	RSD[1:2]: Receive Side System Data for Link 1 ~ 2 The processed data stream is output on these pins. In Receive Clock Master mode, the RSDn pins are updated on the active edge of the corresponding RSCKn. In Receive Clock Slave mode, selected by the RSLVCK bit (b4, T1/J1-010H / b4, E1-010H), the RSDn pins are updated on the active edge of the corresponding RSCKn or both two RSDn pins are updated on the active edge of RSCK[1]. MRSD: Multiplexed Receive Side System Data for Link 1 ~ 2 In Receive Multiplexed mode, the MRSD pin is used to output the processed data stream. Using a byte-interleaved multiplexing scheme, the MRSD pin outputs the data from Link 1 and Link 2. The data on the MRSD pin is updated on the active edge of the MRSCK.
RSIG[1] / MRSIG RSIG[2]	Output	78 70	RSIG[1:2]: Receive Side System Signaling for Link 1 ~ 2 The extracted signaling bits are output on these pins. They are located in the lower nibble (b5 ~ b8) and are channel/timeslot-aligned with the data output on the corresponding RSDn pin. In Receive Clock Master mode, the RSIGn pins are updated on the active edge of the corresponding RSCKn. In Receive Clock Slave mode, selected by the RSLVCK bit (b4, T1/J1-010H / b4, E1-010H), the RSIGn pins are updated on the active edge of the corresponding RSCKn or both two RSIGn are updated on the active edge of RSCK[1]. MRSIG: Multiplexed Receive Side System Signaling for Link 1 ~ 2 In Receive Multiplexed mode, the MRSIG pin is used to output the extracted signaling bits. The signaling bits are located in the lower nibble (b5 ~ b8) and are channel/timeslot-aligned with the data output on the MRSD pin. Using the byte-interleaved multiplexing scheme, the MRSIG pin outputs the signaling bits from Link 1 and Link 2. The signaling bits on the MRSIG pin is updated on the active edge of the MRSCK.

Note:

* The contents in the brackets indicate the position of the preceding bit and the address of the register. After the address, if the punctuation '...' is followed, this bit is in a per-link control register and the listed address belongs to Link 1. Users can find the omitted addresses in Chapter 5. If there is no punctuation followed the address, this bit is in a global control register.

Name	Type	Pin No.	Description
RSFS[1] / MRSFS RSFS[2]	Output / Input	77 69	<p>RSFS[1:2]: Receive Side System Frame Pulse for Link 1 ~ 2 In T1/J1 Receive Clock Master mode, RSFSn outputs the pulse to indicate each F-bit, every second F-bit in SF frame, the first F-bit of every SF/ESF/T1 DM/SLC-96 multi-frame or the first F-bit of every second SF multi-frame. In T1/J1 Receive Clock Slave mode, RSFSn inputs the pulse at a rate of integer multiple of 125 μs to indicate the start of a frame. In E1 Receive Clock Master mode, RSFSn outputs the pulse to indicate the Basic frame, CRC Multi-frame, Signaling Multi-frame, or both the CRC Multi-frame and Signaling Multi-frame, or the TS1 and TS16 overhead. In E1 Receive Clock Slave mode, RSFSn inputs the pulse at a rate of integer multiple of 125 μs to indicate the start of a frame. RSFSn is updated/sampled on the active edge of the corresponding RSCKn. The active polarity of RSFSn is selected by the FSINV bit (b4, T1/J1-048H,... / b4, E1-048H,...).</p> <p>MRSFS: Multiplexed Receive Side System Frame Pulse for Link 1 ~ 2 In Receive Multiplexed mode, MRSFS inputs the pulse at a rate of integer multiple of 125 μs to indicate the start of a frame on the multiplexed data bus. MRSFS is sampled on the active edge of MRSCCK. The active polarity of MRSFS is selected by the FSINV bit (b4, T1/J1-048H,... / b4, E1-048H,...).</p> <p>RSFS[1:2]/MRSCCK are Schmitt-triggered inputs/outputs with pull-up resistors.</p>
RSCK[1] / MRSCCK RSCK[2]	Output / Input	80 72	<p>RSCK[1:2]: Receive Side System Clock for Link 1 ~ 2 In Receive Clock Master mode, the RSCKn pins output a (gapped) 1.544 MHz (for T1/J1 mode) / 2.048 MHz (for E1 mode) clock used to update the signal on the corresponding RSDn, RSIGn and RSFSn pins. In Receive Clock Slave mode, the RSCKn pins input a 1.544 MHz (for T1/J1 mode only), 2.048 MHz or 4.096 MHz clock used to update the signals on the corresponding RSDn and RSIGn pins and sample the signals on the corresponding RSFSn pins. Selected by the RSLVCK bit (b4, T1/J1-010H / b4, E1-010H), the RSCK[1] pin can be used for both two links.</p> <p>MRSCCK: Multiplexed Receive Side System Clock for Link 1 ~ 2 In Receive Multiplexed mode, MRSCCK inputs a 8.192 MHz or 16.384 MHz clock used to update the signals on the MRSD and MRSIG pins and sample the signal on the MRSFS pin.</p> <p>RSCK[1:2]/MRSCCK are Schmitt-triggered inputs/outputs with pull-up resistors.</p>
TSD[1] / MTSD TSD[2]	Input	75 67	<p>TSD[1:2]: Transmit Side System Data for Link 1 ~ 2 The data stream from the system side is input on these pins. In Transmit Clock Master mode, the TSDn pins are sampled on the active edge of the corresponding TSCKn. In Transmit Clock Slave mode, selected by the TSLVCK bit (b1, T1/J1-010H / b1, E1-010H), the TSDn pins are sampled on the active edge of the corresponding TSCKn or both two TSDn pins are sampled on the active edge of TSCK[1].</p> <p>MTSD: Multiplexed Transmit Side System Data for Link 1 ~ 2 In Transmit Multiplexed mode, the MTSD pin is used to input the data stream. Using a byte-interleaved multiplexing scheme, the MTSD pin inputs the data for Link 1 and Link 2. The data on the MTSD pin is sampled on the active edge of MTSCCK.</p> <p>TSD[1]/MTSD is a Schmitt-triggered input. TSD[2] is a Schmitt-triggered input with pull-up resistor.</p>

Name	Type	Pin No.	Description
TSIG[1] / MTSIG TSIG[2]	Input	74 66	<p>TSIG[1:2]: Transmit Side System Signaling for Link 1 ~ 2 The signaling bits are input on these pins. They are located in the lower nibble (b5 ~ b8) and are channel/timeslot-aligned with the data input on the corresponding TSDn pin. In Transmit Clock Master mode, TSIGn is sampled on the active edge of the corresponding TSCKn. In Transmit Clock Slave mode, selected by the TSLVCK bit (b1, T1/J1-010H / b1, E1-010H), TSIGn is sampled on the active edge of the corresponding TSCKn or both two TSIGn are updated on the active edge of TSCK[1].</p> <p>MTSIG: Multiplexed Transmit Side System Signaling for Link 1 ~ 2 In Transmit Multiplexed mode, the MTSIG pin is used to input the signaling bits. The signaling bits are located in the lower nibble (b5 ~ b8) and are channel/timeslot-aligned with the data input on the MTSD pin. Using the byte-interleaved multiplexing scheme, the MTSIG pin inputs the signaling bits for Link 1 and Link 2. The signaling bits on the MTSIG pin is sampled on the active edge of MTSCCK.</p> <p>TSIG[1]/MTSIG is a Schmitt-triggered input. TSIG[2] is a Schmitt-triggered input with pull-up resistor.</p>
TSFS[1] / MTSFS TSFS[2]	Output / Input	73 65	<p>TSFS[1:2]: Transmit Side System Frame Pulse for Link 1 ~ 2 In T1/J1 Transmit Clock Master mode, TSFSn outputs the pulse to indicate each F-bit or the first F-bit of every SF/ESF/T1 DM/SLC-96 multi-frame. In T1/J1 Transmit Clock Slave mode, TSFSn inputs the pulse to indicate each F-bit or the first F-bit of every SF/ESF/T1 DM/SLC-96 multi-frame. In E1 Transmit Clock Master mode, TSFSn outputs the pulse to indicate the Basic frame, CRC Multi-frame and/or Signaling Multi-frame. In E1 Transmit Clock Slave mode, TSFSn inputs the pulse to indicate the Basic frame, CRC Multi-frame and/or Signaling Multi-frame. TSFSn is updated/sampled on the active edge of the corresponding TSCKn. The active polarity of TSFSn is selected by the FSINV bit (b1, T1/J1-042H,... / b1, E1-042H,...).</p> <p>MTSFS: Multiplexed Transmit Side System Frame Pulse for Link 1 ~ 2 In T1/J1 Transmit Multiplexed mode, MTSFS inputs the pulse to indicate each F-bit or the first F-bit of every SF/ESF/T1 DM/SLC-96 multi-frame of one link on the multiplexed data bus. In E1 Transmit Multiplexed mode, MTSFS inputs the pulse to indicate each Basic frame, CRC Multi-frame and/or Signaling Multi-frame of one link on the multiplexed data bus. MTSFS is sampled on the active edge of MTSCCK. The active polarity of MTSFS is selected by the FSINV bit (b1, T1/J1-042H,... / b1, E1-042H,...).</p> <p>TSFS[1:2]/MTSFS are Schmitt-triggered inputs/outputs with pull-up resistors.</p>
TSCK[1] / MTSCCK TSCK[2]	Output / Input	76 68	<p>TSCK[1:2]: Transmit Side System Clock for Link 1 ~ 2 In Transmit Clock Master mode, TSCKn outputs a (gapped) 1.544 MHz (for T1/J1 mode) / 2.048 MHz (for E1 mode) clock used to sample the signal on the corresponding TSDn and TSIGn pins and update the signal on the corresponding TSFSn pin. In Transmit Clock Slave mode, TSCKn inputs a 1.544 MHz (for T1/J1 mode only), 2.048 MHz or 4.096 MHz clock used to sample the signal on the corresponding TSDn, TSIGn and TSFSn pins. Selected by the TSLVCK bit (b1, T1/J1-010H / b1, E1-010H), the TSCK[1] can be used for both two links.</p> <p>MTSCCK: Multiplexed Transmit Side System Clock for Link 1 ~ 2 In Transmit Multiplexed mode, MTSCCK inputs a 8.192 MHz or 16.384 MHz clock used to sample the signal on the MTSD, MTSIG and MTSFS pins.</p> <p>TSCK[1:2]/MTSCCK are Schmitt-triggered inputs/outputs with pull-up resistors.</p>
Clock Generator			
OSCI	Input	95	<p>OSCI: Crystal Oscillator Input This pin is connected to an external clock source. The clock frequency of OSCI is defined by CLK_SEL[2:0]. The clock accuracy should be ± 32 ppm and duty cycle should be from 40% to 60%. Hardware or software reset can only be applied when the clock on this pin is available.</p>

Name	Type	Pin No.	Description
OSCO	Output	94	OSCO: Crystal Oscillator Output This pin outputs the inverted, buffered clock input from OSCI.
CLK_SEL[0] CLK_SEL[1] CLK_SEL[2]	Input	85 86 87	CLK_SEL[2:0]: Clock Selection These three pins select the input clock signal: When the CLK_SEL[2] pin is low, the input clock signal is N X 1.544 MHz; when the CLK_SEL[2] pin is high, the input clock signal is N X 2.048 MHz. When the CLK_SEL[1:0] pins are '00', the N is 1; When the CLK_SEL[1:0] pins are '01', the N is 2; When the CLK_SEL[1:0] pins are '10', the N is 3; When the CLK_SEL[1:0] pins are '11', the N is 4. CLK_SEL[2:0] are Schmitt-trigger inputs.
CLK_GEN	Output	81	CLK_GEN: Clock Generator This pin outputs the 1.544/2.048 MHz clock signal generated by the Clock Generator.
REFA_OUT	Output	90	REFA_OUT: Reference Clock Output A The frequency is 2.048 MHz (E1) or 1.544 MHz (T1/J1). When no LOS is detected, this pin outputs a recovered clock from the Clock and Data Recovery function block of one of the two links. The link is selected by the RO10 bit (b0, T1/J1-007H / b0, E1-007H). When LOS is detected, this pin outputs MCLK or high level, as selected by the REFH_LOS bit (b0, T1/J1-03EH, b0, E1-03EH). Note: MCLK is a clock derived from OSCI using an internal PLL, and the frequency is 2.048 MHz (E1) or 1.544 MHz (T1/J1).
REFB_OUT	Output	92	REFB_OUT: Reference Clock Output B The frequency is 2.048 MHz(E1) or 1.544 MHz(T1/J1). When no LOS is detected, this pin outputs a recovered clock from the Clock and Data Recovery function block of one of the two links. The link is selected by the RO20 bit (b3, T1/J1-007H / b3, E1-007H). When LOS is detected, this pin outputs MCLK or high level, as selected by the REFH_LOS bit (b0, T1/J1-03EH/ b0, E1-03EH).
Control Interface			
$\overline{\text{RESET}}$	Input	84	$\overline{\text{RESET}}$: Reset (Active Low) A low pulse for more than 100 ns on this pin resets the device. All the registers are accessible 2 ms after the reset. Reset can only be applied when the clock on the OSCI pin is available. The $\overline{\text{RESET}}$ pin is a Schmitt-trigger input with a weak pull-up resistor. The OSCI clock must exist when the device is reset.
GPIO	Output / Input	1	General Purpose I/O This pin can be defined as input pin or output pin by the DIR0 bit (b0, T1/J1-006H / b0, E1-006H). When the pin is input, its polarity is indicated by the LEVEL0 bit (b2, T1/J1-006H / b2, E1-006H). When the pin is output, its polarity is controlled by the LEVEL0 bit (b2, T1/J1-006H / b2, E1-006H). GPIO is a Schmitt-trigger input/output with a pull-up resistor.
THZ	Input	2	THZ: Transmit High-Z A high level on this pin puts all the TTIPn/TRINGn pins into high impedance state. THZ is a Schmitt-trigger input.
$\overline{\text{INT}}$	Output	49	$\overline{\text{INT}}$: Interrupt (Active Low) This is the open drain, active low interrupt output. This pin will stay low until all the active unmasked interrupt indication bits are cleared.
REFR	Output	9	REFR: This pin should be connected to ground via an external 10K resistor.
$\overline{\text{CS}}$	Input	48	$\overline{\text{CS}}$: Chip Select (Active Low) This pin must be asserted low to enable the microprocessor interface. The signal must be asserted high at least once after power up to clear the internal test modes. A transition from high to low must occur on this pin for each Read/Write operation and can not return to high until the operation is completed. $\overline{\text{CS}}$ is a Schmitt-trigger input.

Name	Type	Pin No.	Description
A[0] A[1] A[2] A[3] A[4] A[5] A[6] A[7] A[8]	Input	52 53 54 55 56 57 60 62 63	A[8:0]: Address Bus In parallel mode, the signals on these pins select the register for the microprocessor to access. In SPI mode, these pins should be connected to the ground. A[8:0] are Schmitt-trigger inputs with pull-down resistor.
D[0] / SDO D[1] D[2] D[3] D[4] D[5] D[6] D[7]	Output / Input	34 35 36 37 38 39 41 43	D[7:0]: Bi-directional Data Bus In parallel mode, the signals on these pins are the data for Read / Write operation. In SPI mode, the D[7:1] pins should be connected to the ground through a 10 K resistor. D[7:0] are Schmitt-trigger inputs/outputs. SDO: Serial Data Output In SPI mode, the data is serially output on this pin.
MPM	Input	32	MPM: Micro Controller Mode In parallel mode, set this pin low for Motorola mode or high for Intel mode. In SPI mode, set this pin to a fixed level (high or low). This pin is useless in SPI mode. MPM is a Schmitt-trigger input.
\overline{RW} / \overline{WR} / SDI	Input	47	\overline{RW}: Read / Write Select In parallel Motorola mode, this pin is active high for read operation and active low for write operation. \overline{WR}: Write Strobe (Active Low) In parallel Intel mode, this pin is active low for write operation. SDI: Serial Data Input In SPI mode, the address/control and/or data are serially input on this pin. \overline{RW} / \overline{WR} / SDI is a Schmitt-trigger input.
\overline{DS} / \overline{RD} / SCLK	Input	46	\overline{DS}: Data Strobe (Active Low) In parallel Motorola mode, this pin is active low. \overline{RD}: Read Strobe (Active Low) In parallel Intel mode, this pin is active low for read operation. SCLK: Serial Clock In SPI mode, this pin inputs the timing for the SDO and SDI pins. The signal on the SDO pin is updated on the falling edge of SCLK, while the signal on the SDI pin is sampled on the rising edge of SCLK. \overline{DS} / \overline{RD} / SCLK is a Schmitt-trigger input.
SPIEN	Input	33	SPIEN: Serial Microprocessor Interface Enable When this pin is low, the microprocessor interface is in parallel mode. When this pin is high, the microprocessor interface is in SPI mode. SPIEN is a Schmitt-trigger input.
JTAG (per IEEE 1149.1)			
\overline{TRST}	Input	97	\overline{TRST}: Test Reset (Active Low) A low signal on this pin resets the JTAG test port. This pin is a Schmitt-triggered input with an internal pull-up resistor. It must be connected to the \overline{RESET} pin or ground when JTAG is not used.

Name	Type	Pin No.	Description
TMS	Input	100	TMS: Test Mode Select The signal on this pin controls the JTAG test performance and is sampled on the rising edge of TCK. This pin is a Schmitt-triggered input with an internal pull-up resistor.
TCK	Input	98	TCK: Test Clock The clock for the JTAG test is input on this pin. TDI and TMS are sampled on the rising edge of TCK and TDO is clocked out of the device on the falling edge of TCK. This pin is a Schmitt-triggered input with an internal pull-up resistor.
TDI	Input	99	TDI: Test Input The test data is sampled at this pin on the rising edge of TCK. This pin has an internal pull-up resistor. This pin is a Schmitt-triggered input with an internal pull-up resistor.
TDO	High-Z	96	TDO: Test Output The test data are output on this pin. It is updated on the falling edge of TCK. This pin is High-Z except during the process of data scanning.
Power & Ground			
VDDDIO[0] VDDDIO[1] VDDDIO[2]	Power	93 40 64	VDDDIO[2:0]: 3.3 V I/O Power Supply
GNDDIO[0] GNDDIO[1] GNDDIO[2]	Ground	89 44 59	GNDDIO[2:0]: Digital Pad Ground
VDDDC[0] VDDDC[1] VDDDC[2] VDDDC[3]	Power	91 42 61 3	VDDDC[3:0]: 1.8 V Digital Core Power Supply
GNDDC[0] GNDDC[1] GNDDC[2] GNDDC[3]	Ground	88 45 58 4	GNDDC[3:0]: Digital Core Ground
VDDAR[1] VDDAR[2]	Power	26 13	VDDAR[2:1]: 3.3 V Power Supply for Receiver
GNDAR[1] GNDAR[2]	Ground	29 10	GNDAR[2:1]: Analog Ground for Receiver
VDDAT[1] VDDAT[2]	Power	25 14	VDDAT[2:1]: 3.3 V Power Supply for Transmitter
GNDAT[1] GNDAT[2]	Ground	24 15	GNDAT[2:1]: Analog Ground for Transmitter
VDDAX[1] VDDAX[2]	Power	20 19	VDDAX[2:1]: 3.3 V Power Supply for Transmit Driver
GNDAX[1] GNDAX[2]	Ground	23 16	GNDAX[2:1]: Analog Ground for Transmitter Driver
VDDAP	Power	6	VDDAP: 3.3 V Power Analog PLL
GNDAP	Ground	5	GNDAP: Analog Ground PLL
VDDAB	Power	8	VDDAB: 3.3 V Power Analog Bias
GNDAB	Ground	7	GNDAB: Analog Ground Bias
TEST			

Name	Type	Pin No.	Description
IC	-	31 50 51 82 83	IC: Internal Connected These pins are for IDT use only and should be connected to ground.
NC	-	30	NC: Not Connected

3 FUNCTIONAL DESCRIPTION

The IDT82P2282 is a highly featured single device solution for T1/E1/J1 trunks. Each link of the IDT82P2282 can be independently configured. The configuration is performed through an SPI or parallel micro-processor interface.

LINE INTERFACE - RECEIVE PATH

In the receive path, the signals from the line side are coupled into the RTIPn and RRINGn pins and pass through an Impedance Terminator. An Adaptive Equalizer is provided to increase the sensitivity for small signals. Clock and data are recovered from the digital pulses output from the slicer. After passing through the Receive Jitter Attenuator (can be enabled or disabled), the recovered data is decoded using B8ZS (for T1/J1) / HDB3 (for E1) or AMI line code rules and clocked into the Frame Processor. Loss of signal, line code violations and excessive zero are detected.

FRAMER - RECEIVE PATH

In T1/J1 Mode, the recovered data and clock of each link can be configured in Super Frame (SF), Extended Super Frame (ESF), T1 Digital Multiplexer (DM) or Switch Line Carrier - 96 (SLC-96) formats. (The T1 DM and SLC-96 formats only exist in T1 mode). The framing can also be bypassed (unframed mode). The Framer detects and indicates the out of SF/ESF/DM/SLC-96 synchronization event, the Yellow, Red and AIS alarms. The Framer also detects the presence of inband loopback codes and bit-oriented messages. Frame Alignment Signal errors, CRC-6 errors, out of SF/ESF/T1 DM/SLC-96 events and Frame Alignment position changes are counted. Up to three HDLC links (in ESF and T1 DM format) or two HDLC links (in SF and SLC-96 format) are provided to extract the HDLC message on the DL bit (in ESF format) / D bit in CH24 (in T1 DM format) or any arbitrary position. In the T1/J1 receive path, signaling debounce, signaling freeze, idle code substitution, digital milliwatt code insertion, idle code insertion, data inversion and pattern generation or detection are supported on a per-channel basis. An Elastic Store Buffer that supports controlled slip and adaptation to backplane timing may be enabled. In the Receive System Interface, various operating modes can be selected to output signals to the system.

In E1 Mode, the recovered data and clock of each link can be configured to frame to Basic Frame, CRC Multi-Frame and Signaling Multi-Frame. The framing can be bypassed (unframed mode). The Framer detects and indicates the following event: out of Basic Frame Sync, out of CRC Multi-Frame, out of Signaling Multi-Frame, Remote Alarm Indication signal and Remote Signaling Multi-Frame Alarm Indication signal. The Framer also monitors Red and AIS alarms. Basic Frame Alignment Signal errors, Far End Block Errors (FEBE) and CRC errors are counted. Up to three HDLC links are provided to extract the HDLC message on TS16, the Sa National bits or any arbitrary timeslot. In the E1 receive path, signaling debounce, signaling freezing, idle code substitution, digital milliwatt code insertion, trunk conditioning, data inversion and pattern generation or detection are also supported on a per-timeslot basis. An Elastic Store Buffer that supports slip buffering and adaptation to backplane timing may be enabled. In the Receive System Interface,

various operating modes can be selected to output signals to the system.

SYSTEM INTERFACE

On the system side, if the device is in T1/J1 mode, the data stream of 1.544 Mbit/s can be converted to/from the data stream of 2.048 Mbit/s by software configuration. In addition, the two links can be multiplexed to or de-multiplexed from a 8.192 Mbit/s bus. If the device is in E1 mode, the two links can be multiplexed to or de-multiplexed from a 8.192 Mbit/s bus.

FRAMER - TRANSMIT PATH

In the transmit path, the Transmit System Interface inputs the signals with various operating modes. In T1/J1 mode, the signals can be processed by a Transmit Payload Control to execute the signaling insertion, idle code substitution, data insertion, data inversion and test pattern generation or detection on a per-channel basis. The transmit path of each transceiver can be configured to generate SF, ESF, T1 DM or SLC-96. The framer can also be disabled (unframed mode). The Framer can transmit Yellow alarm and AIS alarm. Inband loopback codes and bit oriented message can be transmitted. Up to three HDLC links (in ESF and T1 DM format) or two HDLC links (in SF and SLC-96 format) are provided to insert the HDLC message on the DL bit (in ESF format) / D bit in CH24 (in T1 DM format) or any arbitrary position. After passing through a Transmit Buffer, the processed data and clock are input to the Encoder.

In E1 mode, the signals can be processed by a Transmit Payload Control to execute the signaling insertion, idle code substitution, data insertion, data inversion and test pattern generation or detection on a per-timeslot basis. The transmit path of each transceiver can be configured to generate Basic Frame, CRC Multi-Frame and Signaling Multi-Frame. The framer can be disabled (unframed mode). The Framer can transmit Remote Alarm Indication signal, the Remote Signaling Multi-Frame Alarm Indication signal, AIS alarm and FEBE. Three HDLC links are provided to insert the HDLC message on TS16, the Sa National bits or any arbitrary timeslot. The processed data and clock are input to the Encoder.

LINE INTERFACE - TRANSMIT PATH

The data is encoded using AMI or B8ZS (for T1/J1) and HDB3 (for E1) line code rules. The Transmit Jitter Attenuator, if enabled, is provided with a FIFO in the transmit data path. A de-jittered clock is generated by an integrated digital phase-locked loop and is used to read data from the FIFO. The shapes of the pulses are user programmable to ensure that the T1/E1/J1 pulse template is met after the signal passing through different cable lengths and types. Bipolar violation can be inserted for diagnostic purposes if AMI line code rule is enabled. The signal is transmitted on the TTIPn and TRINGn pins through an Impedance Terminator.

TEST AND DIAGNOSES

To facilitate the testing and diagnostic functions, Analog Loopback, Remote Digital Loopback, Remote Loopback, Local Digital Loopback, Payload Loopback and System Loopback are also integrated in the IDT82P2282. A programmable pseudo random bit sequence can be generated in receive/transmit direction and detected in the opposite direction for testing purpose.

The G.772 Non-intrusive monitoring and JTAG are also supported by the IDT82P2282.

3.1 T1 / E1 / J1 MODE SELECTION

Each link in the IDT82P2282 can be configured as a duplex T1 transceiver, or a duplex E1 transceiver, or a duplex J1 transceiver. When it is in T1 mode, Super Frame (SF), Extended Super Frame (ESF), T1 Digital Multiplexer (T1 DM) and Switch Line Carrier - 96 (SLC-96) fram-

ing formats can be selected. When it is in J1 mode, Super Frame (SF) and Extended Super Frame (ESF) formats can be selected. All the selections are made by the TEMODE bit, the T1/J1 bit and the FM[1:0] bits as shown in Table 1.

Table 1: Operating Mode Selection

TEMODE	T1/J1	FM[1:0]	Operating Mode
1	0	00	T1 mode SF format
		01	T1 mode ESF format
		10	T1 mode T1 DM format
		11	T1 mode SLC-96 format
	1	00	J1 mode SF format
		01	J1 mode ESF format
0	X	X	E1 mode

Table 2: Related Bit / Register In Chapter 3.1

Bit	Register	Address (Hex)
TEMODE	T1/J1 Or E1 Mode	020, 120
T1/J1		
FM[1:0]		

3.2 RECEIVER IMPEDANCE MATCHING

The receiver impedance matching can be realized by using internal impedance matching circuit or external impedance matching circuit.

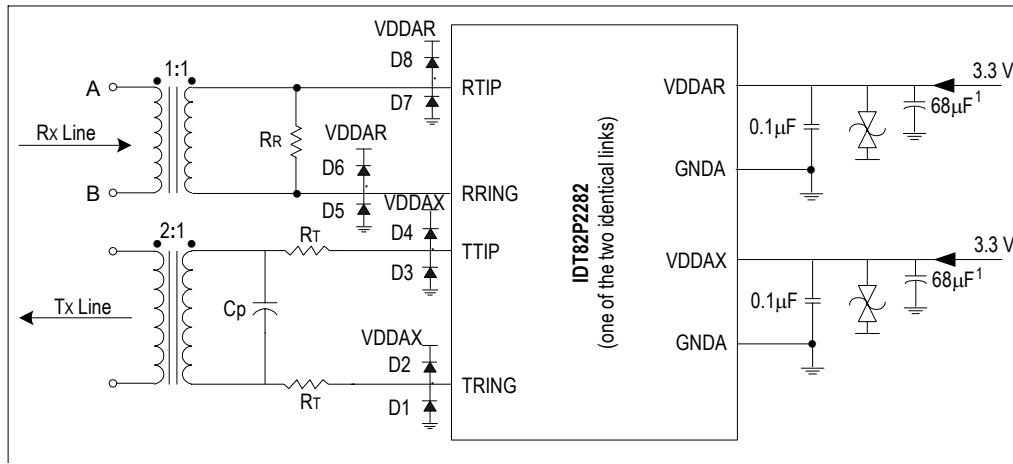
When the R_TERM[2] bit is '0', the internal impedance matching circuit is enabled. 100 Ω, 110 Ω, 75 Ω or 120 Ω internal impedance matching circuit can be selected by the R_TERM[1:0] bits.

When the R_TERM[2] bit is '1', the internal impedance matching circuit is disabled, and different external resistors should be used to realize different impedance matching.

Figure 2 shows the appropriate components to connect with the cable for one link. Table 3 lists the recommended matching resistor values for the receiver.

Table 3: Impedance Matching Value For The Receiver

Cable Configuration	Internal Termination		External Termination	
	R_TERM[2:0]	R _R	R_TERM[2:0]	R _R
75 Ω (E1)	0 0 0	120 Ω	1 X X	75 Ω
120 Ω (E1)	0 0 1			120 Ω
100 Ω (T1)	0 1 0			100 Ω
110 Ω (J1)	0 1 1			110 Ω



- Note: 1. Common decoupling capacitor
 2. C_p 0-560 (pF)
 3. D1 - D8, Motorola - MBR0540T1; International Rectifier - 11DQ04 or 10BQ060

Figure 2. Receive / Transmit Line Circuit

3.2.1 LINE MONITOR

In both T1/J1 and E1 short haul applications, the Protected Non-Intrusive Monitoring per T1.102 can be performed between two devices. The monitored link of one device is in normal operation, and the monitoring link of the other device taps the monitored one through a high impedance bridging circuit. Refer to Figure 3&Figure 4 (Twisted Pair) and Figure 5&Figure 6 (COAX).

After the high resistance bridging circuit, the signal arriving at RTIPn/RRINGn of the monitoring link is dramatically attenuated. To compensate this bridge resistive attenuation, Monitor Gain can be used to boost the signal by 22 dB, as selected by the MG[1:0] bits (b1~0, T1/J1-02AH,...). For normal operation, the Monitor Gain should be set to 0 dB, i.e., the Monitor Gain of the monitored link should be 0 dB.

The monitoring link can be configured to any of the External or Partially Internal Impedance Matching mode. Here the external r or internal IM is used for voltage division, not for impedance matching. That is, the r (IM) and the R make up of a resistance bridge. The resistive

attenuation of this bridge is $20\lg(r/(2R+r))$ dB for Twisted Pair or $20\lg(r/(R+r))$ dB for COAX. The value of resistive attenuation should be consistent with the setting of Monitor Gain (22 dB).

In case of LOS, REFH_LOS bit (b0, T1/J1-03EH) determines the outputs on the REFA_OUT and REFB_OUT pins. When set to 0, the output is MCLK; when set to 1, the output is high level.