



Chipsmall Limited consists of a professional team with an average of over 10 year of expertise in the distribution of electronic components. Based in Hongkong, we have already established firm and mutual-benefit business relationships with customers from,Europe,America and south Asia,supplying obsolete and hard-to-find components to meet their specific needs.

With the principle of “Quality Parts,Customers Priority,Honest Operation,and Considerate Service”,our business mainly focus on the distribution of electronic components. Line cards we deal with include Microchip,ALPS,ROHM,Xilinx,Pulse,ON,Everlight and Freescale. Main products comprise IC,Modules,Potentiometer,IC Socket,Relay,Connector.Our parts cover such applications as commercial,industrial, and automotives areas.

We are looking forward to setting up business relationship with you and hope to provide you with the best service and solution. Let us make a better world for our industry!



## Contact us

Tel: +86-755-8981 8866 Fax: +86-755-8427 6832

Email & Skype: info@chipsmall.com Web: www.chipsmall.com

Address: A1208, Overseas Decoration Building, #122 Zhenhua RD., Futian, Shenzhen, China



This is a short form datasheet and is intended to provide an overview only. Additional details are available from IDT. Contact information may be found on the last page.

## HIGHLIGHTS

- Synchronization Management Unit (SMU) provides tools to manage physical layer and packet based synchronous clocks for IEEE 1588 / PTP Telecom Profile applications
- Supports independent IEEE 1588 and Synchronous Ethernet (SyncE) timing paths
- Combo mode provides SyncE physical layer frequency support for IEEE 1588 Telecom Boundary Clocks (T-BC) and Telecom Time Slave Clocks (T-TSC) per G.8273.2
- Digital PLL 1 (DPLL1) and DPLL 2 can be configured as Digitally Controlled Oscillators (DCOs) for PTP clock synthesis
- DCO frequency resolution is  $[(77760 / 1638400) * 2^{48}]$  or  $\sim 1.686305041e-10$  ppm
- DPLL1 and DPLL2 generate G.8262 compliant SyncE clocks
- Two independent Time of Day (ToD) counters/time accumulators, one associated with each of DPLL1 and DPLL2, can be used to track differences between the two time domains and to time-stamp external events
- DPLL3 performs rate conversions to frequency synchronization interfaces or for other general purpose timing applications
- APLL1 and APLL2 generate clocks with jitter < 1 ps RMS (12 kHz to 20 MHz) for: 1000BASE-T and 1000BASE-X
- Fractional-N input dividers support a wide range of reference frequencies
- Locks to 1 Pulse Per Second (PPS) references
- It can be configured from an external EEPROM after reset
- DPLL1 and DPLL2 lock to input references with frequencies between 1 PPS and 650 MHz
- DPLL3 locks to input references with frequencies between 8 kHz and 650 MHz
- DPLL1 and DPLL2 comply with ITU-T G.8262 for Synchronous Ethernet Equipment Clock (EEC), and G.813 for Synchronous Equipment Clock (SEC); and Telcordia GR-253-CORE for Stratum 3 and SONET Minimum Clock (SMC)
- DPLL1 and DPLL2 generate clocks with PDH, TDM, GSM, CPRI/OBSAI, 10/100/1000 Ethernet and GNSS frequencies; these clocks are directly available on OUT1 and OUT8
- DPLL1 and DPLL2 can be configured as DCOs to synthesize IEEE 1588 clocks
- DPLL3 generates N x 8 kHz clocks up to 100 MHz that are output on OUT9 and OUT10
- APLL1 and APLL2 can be connected to DPLL1 or DPLL2
- APLL1 and APLL2 generate 10/100/1000 Ethernet, 10G Ethernet, or SONET/SDH frequencies
- Any of eight common TCXO/OCXO frequencies can be used for the System Clock: 10 MHz, 12.8 MHz, 13 MHz, 19.44 MHz, 20 MHz, 24.576 MHz, 25 MHz or 30.72 MHz
- The I2C slave, SPI or the UART interface can be used by a host processor to access the control and status registers
- The I2C master interface can automatically load a device configuration from an external EEPROM after reset
- Differential outputs OUT3 to OUT6 output clocks with frequencies between 1 PPS and 650 MHz
- Single ended outputs OUT1, OUT2, OUT7 and OUT8 output clocks with frequencies between 1 PPS and 125 MHz
- Single ended outputs OUT9 and OUT10 output clocks N\*8kHz multiples up to 100 MHz
- DPLL1 and DPLL2 support independent programmable delays for each of IN1 to IN6; the delay for each input is programmable in steps of 0.61 ns with a range of  $\sim \pm 78$  ns
- The input to output phase delay of DPLL1 and DPLL2 is programmable in steps of 0.0745 ps with a total range of  $\pm 20$  ps
- The clock phase of each of the output dividers for OUT1 (from APLL1) to OUT8 is individually programmable in steps of  $\sim 200$  ps with a total range of  $\pm 180^\circ$
- 1149.1 JTAG Boundary Scan
- 72-pin QFN green package

## FEATURES

- Differential reference inputs (IN1 to IN4) accept clock frequencies between 1 PPS and 650 MHz
- Single ended inputs (IN5 to IN6) accept reference clock frequencies between 1 PPS and 162.5 MHz
- Loss of Signal (LOS) pins (LOS0 to LOS3) can be assigned to any clock reference input
- Reference monitors qualify/disqualify references depending on activity, frequency and LOS pins
- Automatic reference selection state machines select the active reference for each DPLL based on the reference monitors, priority tables, revertive and non-revertive settings and other programmable settings
- Fractional-N input dividers enable the DPLLs to lock to a wide range of reference clock frequencies including: 10/100/1000 Ethernet, 10G Ethernet, OTN, SONET/SDH, PDH, TDM, GSM, CPRI and GNSS frequencies
- Any reference input (IN1 to IN6) can be designated as external sync pulse inputs (1 PPS, 2 kHz, 4 kHz or 8 kHz) associated with a selectable reference clock input
- FRSYNC\_8K\_1PPS and MFRSYNC\_2K\_1PPS output sync pulses that are aligned with the selected external input sync pulse input and frequency locked to the associated reference clock input
- DPLL1 and DPLL2 can be configured with bandwidths between 0.09 mHz and 567 Hz

## APPLICATIONS

- Access routers, edge routers, core routers
- Carrier Ethernet switches
- Multiservice access platforms
- PON OLT
- LTE eNodeB
- IEEE 1588 / PTP Telecom Profile clock synthesizer
- ITU-T G.8273.2 Telecom Boundary Clock (T-BC) and Telecom Time Slave Clock (T-TSC)
- ITU-T G.8264 Synchronous Equipment Timing Source (SETS)
- ITU-T G.8263 Packet-based Equipment Clock (PEC)



- ITU-T G.8262 Synchronous Ethernet Equipment Clock (EEC)
- ITU-T G.813 Synchronous Equipment Clock (SEC)
- Telcordia GR-253-CORE Stratum 3 Clock (S3) and SONET Minimum Clock (SMC)

## DESCRIPTION

The 82P33814 Synchronization Management Unit (SMU) provides tools to manage timing references, clock sources and timing paths for IEEE 1588 / Precision Time Protocol (PTP) and Synchronous Ethernet (SyncE) based clocks. The device supports up to three independent timing paths that control: PTP clock synthesis; SyncE clock generation; and general purpose frequency translation. The device supports physical layer timing with Digital PLLs (DPLLs) and it supports packet based timing with Digitally Controlled Oscillators (DCOs). Input-to-input, input-to-output and output-to-output phase skew can all be precisely managed. The device outputs low-jitter clocks that can directly synchronize lower-rate Ethernet interfaces; as well as CPRI/OBSAI, SONET/SDH and PDH interfaces and IEEE 1588 Time Stamp Units (TSUs).

The 82P33814 accepts four differential reference inputs and two single ended reference inputs that can operate at common GNSS, Ethernet, SONET/SDH and PDH frequencies that range in frequency from 1 Pulse Per Second (PPS) to 650 MHz. The references are continually monitored for loss of signal and for frequency offset per user programmed thresholds. All of the references are available to all three DPLLs. The active reference for each DPLL is determined by forced selection or by automatic selection based on user programmed priorities and locking allowances and based on the reference monitors and LOS inputs.

The 82P33814 can accept a clock reference and an associated phase locked sync signal as a pair. DPLL1 or DPLL2 can lock to the clock reference and align the frame sync and multi-frame sync outputs with the paired sync input. The device allows any of the differential or single ended reference inputs to be configured as sync inputs that can be associated with any of the other differential or single ended reference inputs. The input sync signals can have a frequency of 1 PPS, 2 kHz, 4 kHz or 8 kHz. This feature enables DPLL1 or DPLL2 to phase align its frame sync and multi-frame sync outputs with a sync input without the need use a low bandwidth setting to lock directly to the sync input.

DPLL1 and DPLL2 support four primary operating modes: Free-Run, Locked, Holdover and DCO. In Free-Run mode the DPLLs synthesize clocks based on the system clock alone. In Locked mode the DPLLs filter reference clock jitter with the selected bandwidth. In Locked mode, the long-term output frequency accuracy is the same as the long term frequency accuracy of the selected input reference. In Holdover mode, the DPLL uses frequency data acquired while in Locked mode to generate accurate frequencies when input references are not available. In DCO mode the DPLL control loop is opened and the DCO can be controlled by a PTP clock recovery servo running on an external processor to synthesize PTP clocks.

The 82P33814 requires a system clock for its reference monitors and other digital circuitry. The frequency accuracy of the system clock determines the frequency accuracy of the DPLLs in Free-Run mode. The frequency stability of the system clock determines the frequency stability of the DPLLs in Free-Run mode and in Holdover mode; and it affects the wander generation of the DPLLs in Locked and DCO modes.

When used with a suitable system clock, DPLL1 and DPLL2 meet the frequency accuracy, pull-in, hold-in, pull-out, noise generation, noise tolerance, transient response, and holdover performance requirements of the following applications: ITU-T G.8262/G.813 EEC/SEC options 1 and 2, ITU-T G.8263, ITU-T G.8273.2, Telcordia GR-1244 Stratum 3 (S3), Telcordia GR-253-CORE Stratum 3 (S3) and SONET Minimum Clock (SMC).

DPLL1 and DPLL2 can be configured with a range of selectable filtering bandwidths from 0.09 mHz to 567 Hz. The 17 mHz bandwidth can be used to lock the DPLL directly to a 1 PPS reference. The 69 mHz and the 92 mHz bandwidths can be used for G.8273.2. The 92 mHz bandwidth can be used for G.8262/G.813 Option 2 or Telcordia GR-253-CORE S3 or SMC applications. The bandwidths in the range 1.1 Hz to 8.9 Hz can be used for G.8262/G.813 Option 1 applications. Bandwidths above 10 Hz can be used in jitter attenuation and rate conversion applications.

DPLL1 and DPLL2 are each connected to Time of Day (ToD) counters or time accumulators; these ToD counters/time accumulators can be used to track differences between the two time domains and to time-stamp external events by using reference inputs as triggers.

DPLL3 supports three primary operation modes: Free-Run, Locked and Holdover. DPLL3 is a wideband (BW > 25Hz) frequency translator that can be used, for example, to convert a recovered line clock to a 1.544 MHz or 2.048 MHz synchronization interface clock.

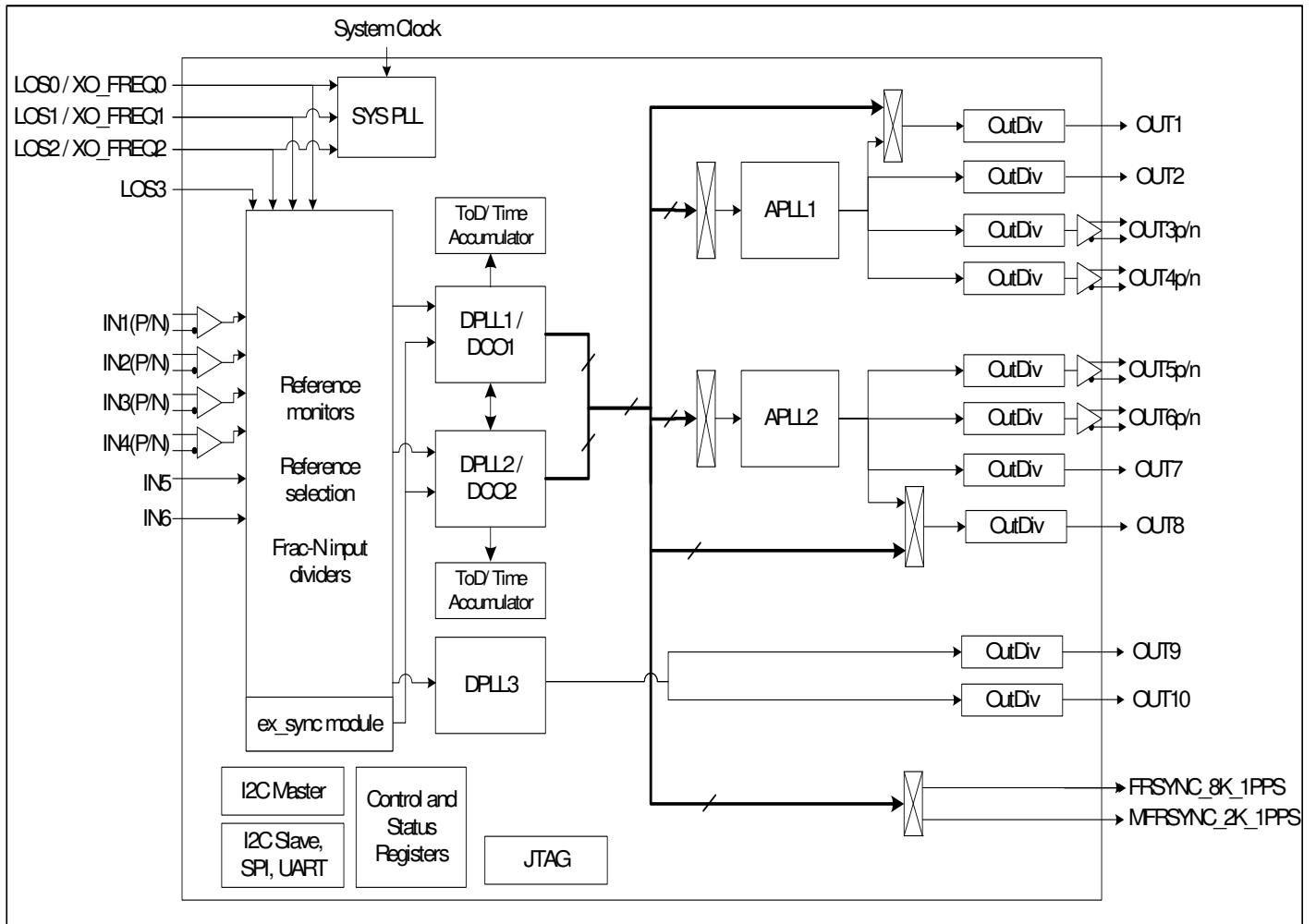
In Telecom Boundary Clock (T-BC) and Telecom Time Slave Clock (T-TSC) applications per ITU-T G.8275.2, DPLL1 and DPLL2 are both used; one DPLL is configured as a DCO to synthesize PTP clocks and the other DPLL is configured as an EEC/SEC to generate physical layer clocks. Combo mode provides physical layer frequency support from the EEC/SEC to the PTP clock.

In Synchronous Equipment Timing Source (SETS) applications per ITU-T G.8264, DPLL1 or DPLL2 can be configured as an EEC/SEC to output clocks for the T0 reference point and DPLL3 can be used to output clocks for the T4 reference point.

Clocks generated by DPLL1 or DPLL2 can be passed through APLL1 or APLL2 which are LC based jitter attenuating Analog PLLs (APLLs). The output clocks generated by APLL1 and APLL2 are suitable for serial GbE and lower rate interfaces.

All 82P33814 control and status registers are accessed through an I2C slave, SPI or the UART microprocessor interface. For configuring the DPLLs, APLL1 and APLL2, the I2C master interface can automatically load a configuration from an external EEPROM after reset.

**FUNCTIONAL BLOCK DIAGRAM**



**Figure 1. Functional Block Diagram**

# 1 PIN ASSIGNMENT

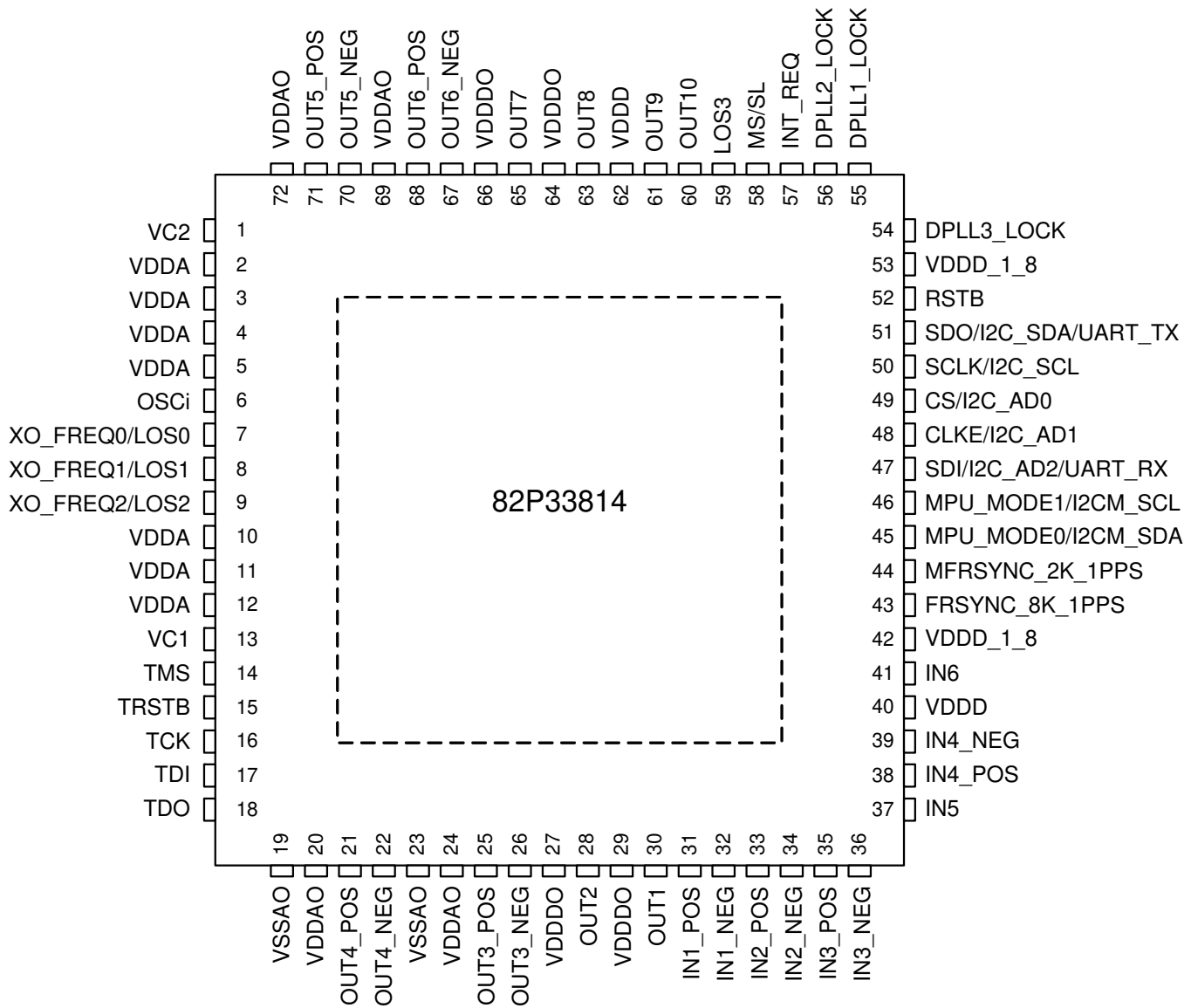


Figure 2. Pin Assignment (Top View)

## 2 PIN DESCRIPTION

**Table 1: Pin Description**

Pin No.	Name	I/O	Type	Description																
<b>Global Control Signal</b>																				
6	OSCI	I	CMOS	<b>OSCI: Crystal Oscillator System Clock</b> A clock provided by a crystal oscillator is input on this pin. It is the system clock for the device. The oscillator frequency is selected via pins XO_FREQ0 ~ XO_FREQ2																
58	MS/SL	I pull-up	CMOS	<b>MS/SL: Master / Slave Selection</b> This pin, together with the MS_SL_CTRL bit, controls whether the device is configured as the Master or as the Slave. The signal level on this pin is reflected by the MASTER_SLAVE bit.																
59	LOS3	I pull-down	CMOS	<b>LOS3-</b> This pin is used to disqualify input clocks. See input clocks section for more details.																
52	RSTB	I pull-up	CMOS	<b>RSTB: Reset</b> Refer to section 2.2 reset operation for detail.																
7 8 9	XO_FREQ0/ LOS0 XO_FREQ1/ LOS1 XO_FREQ2/ LOS2	I pull-down	CMOS	<b>XO_FREQ0 ~ XO_FREQ2:</b> These pins set the oscillator frequency. XO_FREQ[2:0] Oscillator Frequency (MHz) <table style="margin-left: 20px;"> <tr><td>000</td><td>10.000</td></tr> <tr><td>001</td><td>12.800</td></tr> <tr><td>010</td><td>13.000</td></tr> <tr><td>011</td><td>19.440</td></tr> <tr><td>100</td><td>20.000</td></tr> <tr><td>101</td><td>24.576</td></tr> <tr><td>110</td><td>25.000</td></tr> <tr><td>111</td><td>30.720</td></tr> </table> <b>LOS0 ~ LOS2 -</b> These pins are used to disqualify input clocks. See input clocks section for more details. After reset, this pin takes on the operation of LOS0-LOS2	000	10.000	001	12.800	010	13.000	011	19.440	100	20.000	101	24.576	110	25.000	111	30.720
000	10.000																			
001	12.800																			
010	13.000																			
011	19.440																			
100	20.000																			
101	24.576																			
110	25.000																			
111	30.720																			
<b>Input Clock and Frame Synchronization Input Signal</b>																				
31 32	IN1_POS IN1_NEG	I	PECL/LVDS	<b>IN1_POS / IN1_NEG: Positive / Negative Input Clock 1</b> A reference clock is input on this pin. This pin can also be used as a sync input, and in this case a 2 kHz, 4 kHz, 8 kHz, or 1PPS signal can be input on this pin.																
33 34	IN2_POS IN2_NEG	I	PECL/LVDS	<b>IN2_POS / IN2_NEG: Positive / Negative Input Clock 1</b> A reference clock is input on this pin. This pin can also be used as a sync input, and in this case a 2 kHz, 4 kHz, 8 kHz, or 1PPS signal can be input on this pin.																
35 36	IN3_POS IN3_NEG	I	PECL/LVDS	<b>IN3_POS / IN3_NEG: Positive / Negative Input Clock 3</b> A reference clock is input on this pin. This pin can also be used as a sync input, and in this case a 2 kHz, 4 kHz, 8 kHz, or 1PPS signal can be input on this pin.																
38 39	IN4_POS IN4_NEG	I	PECL/LVDS	<b>IN4_POS / IN4_NEG: Positive / Negative Input Clock 4</b> A reference clock is input on this pin. This pin can also be used as a sync input, and in this case a 2 kHz, 4 kHz, 8 kHz, or 1PPS signal can be input on this pin.																
37	IN5	I pull-down	CMOS	<b>IN5: Input Clock 5</b> A reference clock is input on this pin. This pin can also be used as a sync input, and in this case a 2 kHz, 4 kHz, 8 kHz, or 1PPS signal can be input on this pin.																
41	IN6	I pull-down	CMOS	<b>IN6: Input Clock 6</b> A reference clock is input on this pin. This pin can also be used as a sync input, and in this case a 2 kHz, 4 kHz, 8 kHz, or 1PPS signal can be input on this pin.																
<b>Output Frame Synchronization Signal</b>																				
43	FRSYNC _8K_1PPS	O	CMOS	<b>FRSYNC_8K_1PPS: 8 kHz Frame Sync Output</b> An 8 kHz signal or a 1PPS sync signal is output on this pin.																
44	MFRSYNC _2K_1PPS	O	CMOS	<b>MFRSYNC_2K_1PPS: 2 kHz Multiframe Sync Output</b> A 2 kHz signal or a 1PPS sync signal is output on this pin.																
<b>Output Clock</b>																				
30 28	OUT1 OUT2	O	CMOS	<b>OUT1 ~ OUT2: Output Clock 1 ~ 2</b>																

**Table 1: Pin Description (Continued)**

Pin No.	Name	I/O	Type	Description
25 26	OUT3_POS OUT3_NEG	O	PECL/LVDS	<b>OUT3_POS / OUT3_NEG: Positive / Negative Output Clock 3</b> This output is set to LVDS by default. The LVDS output has internal 100 ohm termination.
21 22	OUT4_POS OUT4_NEG	O	PECL/LVDS	<b>OUT4_POS / OUT4_NEG: Positive / Negative Output Clock 4</b> This output is set to LVDS by default. The LVDS output has internal 100 ohm termination.
71 70	OUT5_POS OUT5_NEG	O	PECL/LVDS	<b>OUT5_POS / OUT5_NEG: Positive / Negative Output Clock 5</b> This output is set to LVDS by default. The LVDS output has internal 100 ohm termination.
68 67	OUT6_POS OUT6_NEG	O	PECL/LVDS	<b>OUT6_POS / OUT6_NEG: Positive / Negative Output Clock 6</b> This output is set to LVDS by default. The LVDS output has internal 100 ohm termination.
65 63	OUT7 OUT8	O	CMOS	<b>OUT7 ~ OUT8: Output Clock 7 ~ 8</b>
61 60	OUT9 OUT10	O	CMOS	<b>OUT9 ~ OUT10: Output Clock 9 ~ 10</b>
<b>Miscellaneous</b>				
13	VC1	O	Analog	<b>VC1: APLL1 VC Output</b> An external RC filter (a resistor in series with a capacitor to ground, and another capacitor in parallel) should be connected to this pin.
1	VC2	O	Analog	<b>VC2: APLL2 VC Output</b> An external RC filter (a resistor in series with a capacitor to ground, and another capacitor in parallel) should be connected to this pin.
<b>Lock Signal</b>				
54	DPLL3_LOCK	O	CMOS	DPLL3_LOCK This pin goes high when DPLL3 is locked
56	DPLL2_LOCK	O	CMOS	DPLL2_LOCK This pin goes high when DPLL2 is locked
55	DPLL1_LOCK	O	CMOS	DPLL1_LOCK This pin goes high when DPLL1 is locked
<b>Microprocessor Interface</b>				
57	INT_REQ	O Tri-state	CMOS	<b>INT_REQ: Interrupt Request</b> This pin is used as an interrupt request.
46 45	MPU_MODE1/ I2CM_SCL  MPU_MODE0/ I2CM_SDA	I/O pull-down	CMOS/ Open Drain	<b>MPU_MODE[1:0]: Microprocessor Interface Mode Selection</b> During reset, these pins determine the default value of the MPU_SEL_CNFG[1:0] bits as follows: 00: I2C mode 01: SPI mode 10: UART mode 11: I2C master (EEPROM) mode <b>I2CM_SCL: Serial Clock Line</b> In I2C master mode, the serial clock is output on this pin. <b>I2CM_SDA: Serial Data Input for I2C Master Mode</b> In I2C master mode, this pin is used as the for the serial data.
47	SDI/I2C_AD2/ UART_RX	I pull-down	CMOS	<b>SDI: Serial Data Input</b> In Serial mode, this pin is used as the serial data input. Address and data on this pin are serially clocked into the device on the rising edge of SCLK. <b>I2C_AD2: Device Address Bit 2</b> In I2C mode, I2C_AD[2:0] pins are the address bus of the microprocessor interface. <b>UART_RX</b> In UART mode, this pin is used as the receive data (UART Receive)

**Table 1: Pin Description (Continued)**

Pin No.	Name	I/O	Type	Description
48	CLKE/I2C_AD1	I pull-down	CMOS	<b>CLKE: SCLK Active Edge Selection</b> In Serial mode, this pin is an input, it selects the active edge of SCLK to update the SDO: High - The falling edge; Low - The rising edge.  <b>I2C_AD1: Device Address Bit 1</b> In I2C mode, I2C_AD[2:0] pins are the address bus of the microprocessor interface.
49	CS/I2C_AD0	I pull-up	CMOS	<b>CS: Chip Selection</b> In Serial modes, this pin is an input. A transition from high to low must occur on this pin for each read or write operation and this pin should remain low until the operation is over.  <b>I2C_AD0: Device Address Bit 0</b> In I2C mode, I2C_AD[2:0] pins are the address bus of the microprocessor interface.
50	SCLK/I2C_SCL	I	CMOS	<b>SCLK: Shift Clock</b> In Serial mode, a shift clock is input on this pin. Data on SDI is sampled by the device on the rising edge of SCLK. Data on SDO is updated on the active edge of SCLK. The active edge is determined by the CLKE.  <b>I2C_SCL: Serial Clock Line</b> In I2C mode, the serial clock is input on this pin.
51	SDO/I2C_SDA/ UART_TX	I/O	CMOS Open Drain	<b>SDO: Serial Data Output</b> In Serial mode, this pin is used as the serial data output. Data on this pin is serially clocked out of the device on the active edge of SCLK.  <b>I2C_SDA: Serial Data Input/Output</b> In I2C mode, this pin is used as the input/output for the serial data.  <b>UART_TX:</b> In UART mode, this pin is used as the transmit data (UART Transmit)
<b>JTAG (per IEEE 1149.1)</b>				
14	TMS	I pull-up	CMOS	<b>TMS: JTAG Test Mode Select</b> The signal on this pin controls the JTAG test performance and is sampled on the rising edge of TCK.
15	TRSTB	I pull-up	CMOS	<b>TRSTB: JTAG Test Reset (Active Low)</b> A low signal on this pin resets the JTAG test port. This pin should be connected to ground when JTAG is not used.
16	TCK	I pull-down	CMOS	<b>TCK: JTAG Test Clock</b> The clock for the JTAG test is input on this pin. TDI and TMS are sampled on the rising edge of TCK and TDO is updated on the falling edge of TCK. If TCK is idle at a low level, all stored-state devices contained in the test logic will indefinitely retain their state.
17	TDI	I pull-up	CMOS	<b>TDI: JTAG Test Data Input</b> The test data are input on this pin. They are clocked into the device on the rising edge of TCK.
18	TDO	O tri-state	CMOS	<b>TDO: JTAG Test Data Output</b> The test data are output on this pin. They are clocked out of the device on the falling edge of TCK. TDO pin outputs a high impedance signal except during the process of data scanning.
<b>Power &amp; Ground</b>				
2, 3, 4, 5, 10, 11, 12	VDDA	Power	-	<b>VDDA:</b> Analog Core Power - +3.3V DC nominal
20, 24, 69, 72	VDDAO	Power		<b>VDDAO:</b> Analog Output Power - +3.3V DC nominal
27, 29, 64, 66	VDDDO	Power		<b>VDDDO:</b> Digital Output Power - +3.3V DC nominal



Table 1: Pin Description (Continued)

Pin No.	Name	I/O	Type	Description
40, 62	VDDD	Power		<b>VDDD</b> : Digital Core Power - +3.3V DC nominal
42, 53	VDDD_1_8	Power		<b>VDDD_1_8</b> : Digital Core Power - +1.8V DC nominal
19,23	VSSAO	Ground		<b>VSSAO</b> : Ground
73 (e_PAD)	VSS	Ground	-	<b>VSS</b> : Ground

## 2.1 RECOMMENDATIONS FOR UNUSED INPUT AND OUTPUT PINS

### 2.1.1 INPUTS

#### Control Pins

All control pins have internal pull-ups or pull-downs; additional resistance is not required but can be added for additional protection. A 1k $\Omega$  resistor can be used.

#### Single-Ended Clock Inputs

For protection, unused single-ended clock inputs should be tied to ground.

#### Differential Clock Inputs

For applications not requiring the use of a differential input, both \*\_POS and \*\_NEG can be left floating. Though not required, but for additional protection, a 1k $\Omega$  resistor can be tied from \_POS to ground.

### 2.1.2 OUTPUTS

#### Status Pins

For applications not requiring the use of a status pin, we recommend bringing out to a test point for debugging purposes.

#### Single-Ended Clock Outputs

All unused single-ended clock outputs can be left floating, or can be brought out to a test point for debugging purposes.

#### Differential Clock Outputs

All unused differential outputs can be left floating. We recommend that there is no trace attached. Both sides of the differential output pair

# PACKAGE DIMENSIONS

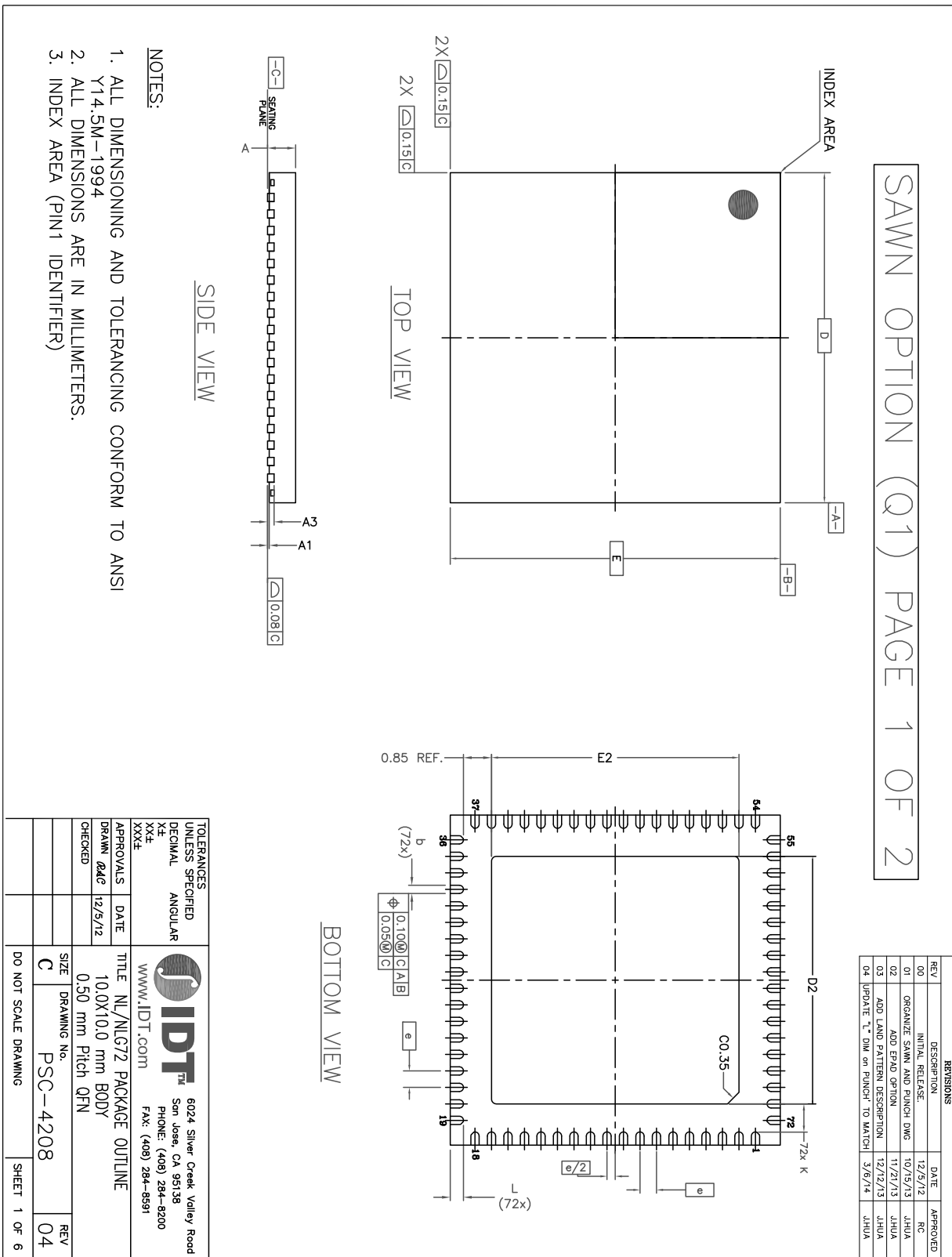


Figure 3. 72-Pin QFN Package Outline Page 1 (SAWN Option)

# SAWN OPTION (Q1) PAGE 2 OF 2

## EPAD OPTION:

	P2		
S <sub>1</sub> M <sub>1</sub> B <sub>1</sub> L <sub>1</sub>	MIN.	NOM.	MAX.
E2	7.40	7.50	7.60
D2	7.40	7.50	7.60

	DIMENSION			N <sub>0</sub> T <sub>1</sub> E
S <sub>1</sub> M <sub>1</sub> B <sub>1</sub> L <sub>1</sub>	MIN.	NOM.	MAX.	
D2	SEE EPAD OPTION			
E2	SEE EPAD OPTION			
K	0.20	—	—	
A2	0.00	0.65	1.00	
L	0.30	0.40	0.50	
COMMON DIMENSIONS				
DIM	MIN	NOM	MAX	
A	0.80	0.90	1.00	
A1	0	0.02	0.05	
A3 REF	—	0.20 ref	—	
b	0.18	0.25	0.30	
Ⓜ	0.50 BSC			
D	10.00 BSC			
E	10.00 BSC			

REVISIONS				
REV	DESCRIPTION	DATE	APPROVED	
00	INITIAL RELEASE.	12/5/12	RC	
01	ORGANIZE SAWN AND PUNCH DWG	10/15/13	JHUA	
02	ADD EPAD OPTION	11/21/13	JHUA	
03	ADD LAND PATTERN DESCRIPTION	12/12/13	JHUA	
04	UPDATE "L" DIM on PUNCH TO MATCH	3/6/14	JHUA	

TOLERANCES UNLESS SPECIFIED DECIMAL      ANGULAR XXXX           ± XXXX APPROVALS      DATE DRAWN <i>RAC</i> 12/5/12 CHECKED		6024 Silver Creek Valley Rd San Jose, CA 95138 PHONE: (408) 284-6000 FAX: (408) 284-5572 WWW.IDT.COM	
TITLE NL/NLG72 PACKAGE OUTLINE 10.0 X 10.0 mm BODY 0.50 mm Pitch QFN		SIZE   DRAWING No.   REV C   PSC-4208   04	DO NOT SCALE DRAWING SHEET 2 OF 6

**Figure 4. 72-Pin QFN Package Outline Page 2 (SAWN Option)**

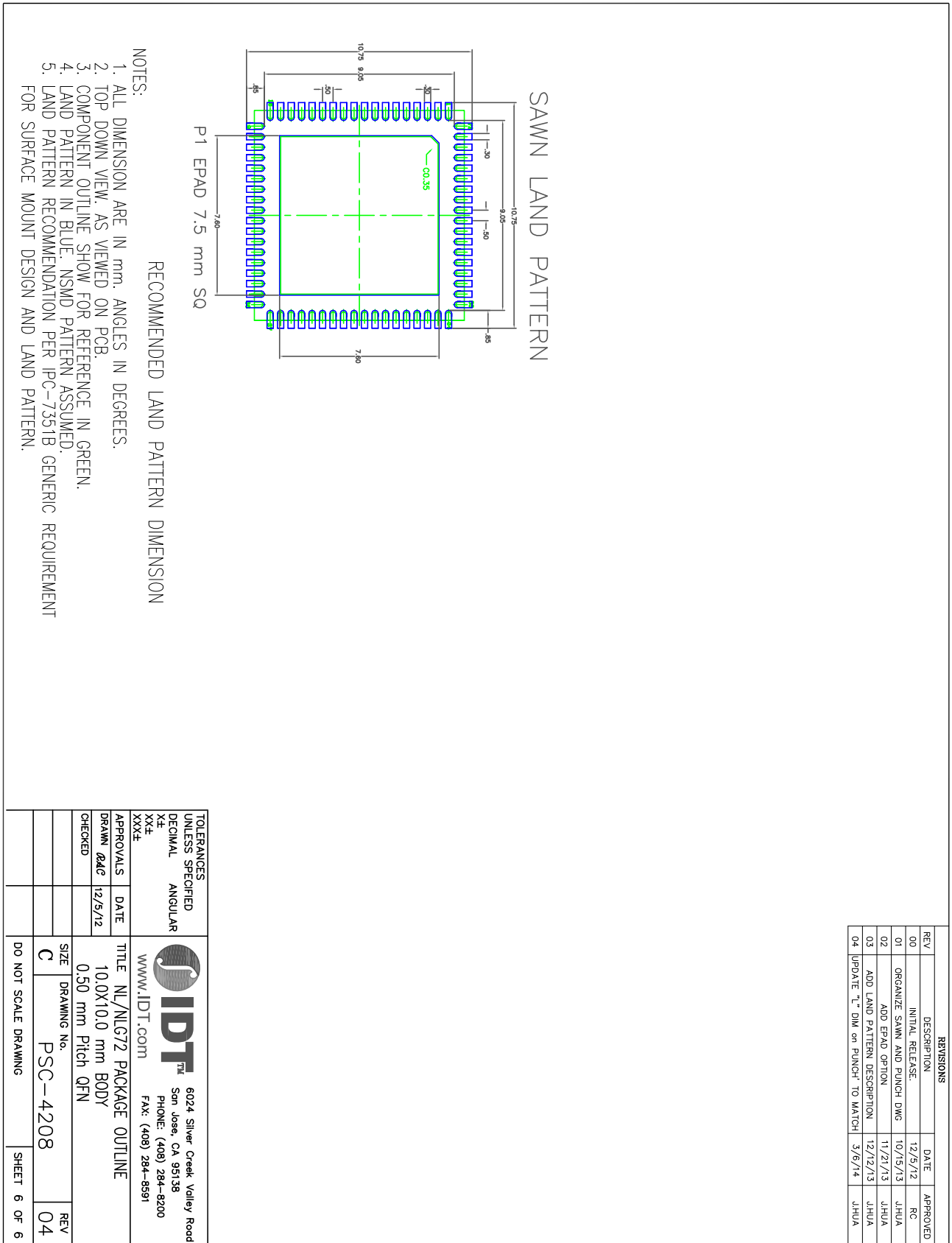


Figure 5. 72-Pin QFN Package Recommended Land Pattern



## ORDERING INFORMATION

**Table 2: Ordering Information**

Part/Order Number	Package	Shipping Packaging	Temperature
82P33814ANLG	72-pin QFN green package	Tray	-40° to +85°C
82P33814ANLG8	72-pin QFN green package	Tape & Reel, Pin 1 Orientation: EIA-481-C	-40° to +85°C
82P33814ANLG/W	72-pin QFN green package	Tape & Reel, Pin 1 Orientation: EIA-481-D	-40° to +85°C

"G" after the two-letter package code denotes Pb-Free configuration, RoHS compliant.

**Table 3: Pin 1 Orientation in Tape and Reel Packaging**

Part Number Suffix	Pin 1 Orientation	Illustration
NLG8	Quadrant 1 (EIA-481-C)	
NLG/W	Quadrant 2 (EIA-481-D)	



**Corporate Headquarters**  
 6024 Silver Creek Valley Road  
 San Jose, CA 95138 USA  
[www.IDT.com](http://www.IDT.com)

**Sales**  
 1-800-345-7015 or 408-284-8200  
 Fax: 408-284-2775  
[www.IDT.com/go/sales](http://www.IDT.com/go/sales)

**Tech Support**  
[www.IDT.com/go/support](http://www.IDT.com/go/support)

DISCLAIMER Integrated Device Technology, Inc. (IDT) and its affiliated companies (herein referred to as "IDT") reserve the right to modify the products and/or specifications described herein at any time, without notice, at IDT's sole discretion. Performance specifications and operating parameters of the described products are determined in an independent state and are not guaranteed to perform the same way when installed in customer products. The information contained herein is provided without representation or warranty of any kind, whether express or implied, including, but not limited to, the suitability of IDT's products for any particular purpose, an implied warranty of merchantability, or non-infringement of the intellectual property rights of others. This document is presented only as a guide and does not convey any license under intellectual property rights of IDT or any third parties.

IDT's products are not intended for use in applications involving extreme environmental conditions or in life support systems or similar devices where the failure or malfunction of an IDT product can be reasonably expected to significantly affect the health or safety of users. Anyone using an IDT product in such a manner does so at their own risk, absent an express, written agreement by IDT.

Integrated Device Technology, IDT and the IDT logo are trademarks or registered trademarks of IDT and its subsidiaries in the United States and other countries. Other trademarks used herein are the property of IDT or their respective third party owners. For datasheet type definitions and a glossary of common terms, visit [www.idt.com/go/glossary](http://www.idt.com/go/glossary). Integrated Device Technology, Inc. All rights reserved.