



Chipsmall Limited consists of a professional team with an average of over 10 year of expertise in the distribution of electronic components. Based in Hongkong, we have already established firm and mutual-benefit business relationships with customers from,Europe,America and south Asia,supplying obsolete and hard-to-find components to meet their specific needs.

With the principle of “Quality Parts,Customers Priority,Honest Operation,and Considerate Service”,our business mainly focus on the distribution of electronic components. Line cards we deal with include Microchip,ALPS,ROHM,Xilinx,Pulse,ON,Everlight and Freescale. Main products comprise IC,Modules,Potentiometer,IC Socket,Relay,Connector.Our parts cover such applications as commercial,industrial, and automotives areas.

We are looking forward to setting up business relationship with you and hope to provide you with the best service and solution. Let us make a better world for our industry!



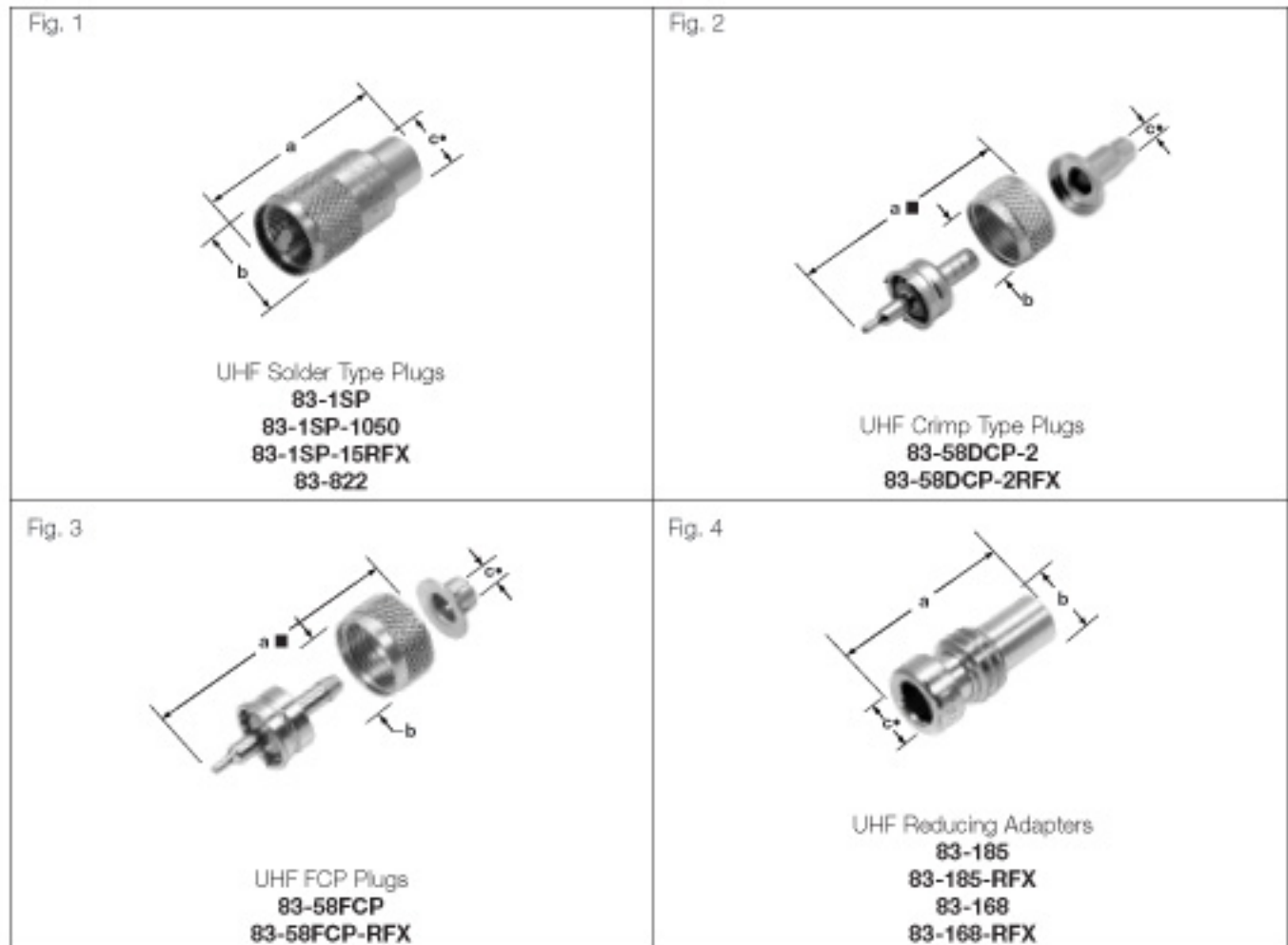
## Contact us

Tel: +86-755-8981 8866 Fax: +86-755-8427 6832

Email & Skype: info@chipsmall.com Web: www.chipsmall.com

Address: A1208, Overseas Decoration Building, #122 Zhenhua RD., Futian, Shenzhen, China





## UHF CABLE PLUGS, REDUCING ADAPTERS

Cable RG-/U	Conn Type	Cable Attachment		Dimensions, inches (millimeters)			Construction Notes				Military Number	Amphenol Number	Fig.
		Outer	Inner	a	b	c*	CAI	Pit.	Ins.	Other			
8, 9, 11, 13, 63, 87A, 149, 213, 214, 216, 225	Plug	Solder	Solder	1.50(38.0)	.750(19.0)	.444(11.3)	C1, C2	P4	D30	—	PL-259	83-1SP	1
	Plug	Solder	Solder	1.50(38.0)	.750(19.0)	.444(11.3)	C1, C2	P1	D30	IBM 480147	PL-259	83-1SP-1050	1
	Plug	Solder	Solder	1.50(38.0)	.750(19.0)	.420(10.7)	C1, C2	P1	D24	—	—	83-1SP-15RFX	1
	Plug	Solder	Solder	1.50(38.0)	.750(19.0)	.444(11.3)	C1, C2	P1	D1	TFE Insulation	PL-259	83-822	1
58, 141	Plug	Crimp	Crimp	1.41(35.7)■	.750(19.0)	.245(6.2)	C5	P2	D2	—	—	83-58DCP-2	2
	Plug	Solder	Crimp	1.38(35.1)	.716(18.2)	.212(5.4)	C5	P1	D24	—	—	83-58DCP-2RFX	2
	Plug	FCP	Pliers	1.06(27.0)■	.750(19.0)	.195(4.9)	C6	P2	D2	No Soldering	—	83-58FCP □	3
	Plug	FCP	Pliers	1.16(29.4)■	.716(18.2)	.224(5.7)	C6	P7	D24	No Soldering	—	83-58FCP-RFX	3
58, 62, 140, 210	Plug	Solder	Solder	1.68(42.8)	.781(19.8)	.257(6.6)	C2	P1	D30	—	UG-111/U	83-750	1
Reducing Adapter For use on RG-55, 58, 141, 142 Cable (Except 55A)				1.00(25.4)	.438(11.1)	.206(5.3)	C2	P3	—	—	UG-175/U	83-185	4
Reducing Adapter For use on RG-59, 62, 71, 140, 210 Cable				1.00(25.4)	.437(11.1)	.206(5.3)	C2	P3	—	—	—	83-185-RFX	4
Reducing Adapter For use on RG-59, 62, 71, 140, 210 Cable				1.00(25.4)	.438(11.1)	.257(6.5)	C2	P3	—	—	UG-176/U	83-168	4
Reducing Adapter For use on RG-59, 62, 71, 140, 210 Cable				1.00(25.4)	.437(11.1)	.257(6.5)	C2	P3	—	—	—	83-168-RFX	4

\* accommodates cable diameter ▲ distributor stocked ■ includes outer female □ US patent 4,053,200