



Chipsmall Limited consists of a professional team with an average of over 10 year of expertise in the distribution of electronic components. Based in Hongkong, we have already established firm and mutual-benefit business relationships with customers from,Europe,America and south Asia,supplying obsolete and hard-to-find components to meet their specific needs.

With the principle of “Quality Parts,Customers Priority,Honest Operation,and Considerate Service”,our business mainly focus on the distribution of electronic components. Line cards we deal with include Microchip,ALPS,ROHM,Xilinx,Pulse,ON,Everlight and Freescale. Main products comprise IC,Modules,Potentiometer,IC Socket,Relay,Connector.Our parts cover such applications as commercial,industrial, and automotives areas.

We are looking forward to setting up business relationship with you and hope to provide you with the best service and solution. Let us make a better world for our industry!



Contact us

Tel: +86-755-8981 8866 Fax: +86-755-8427 6832

Email & Skype: info@chipsmall.com Web: www.chipsmall.com

Address: A1208, Overseas Decoration Building, #122 Zhenhua RD., Futian, Shenzhen, China



SPRING-LOADED CONNECTORS

SERIES 830 • 2mm GRID FLAT & CONCAVE FACE TARGET CONNECTORS FOR SPRING-LOADED ASSEMBLIES • SINGLE ROW STRIPS

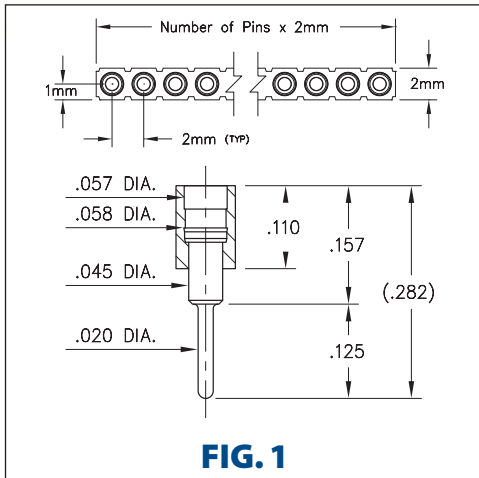


FIG. 1

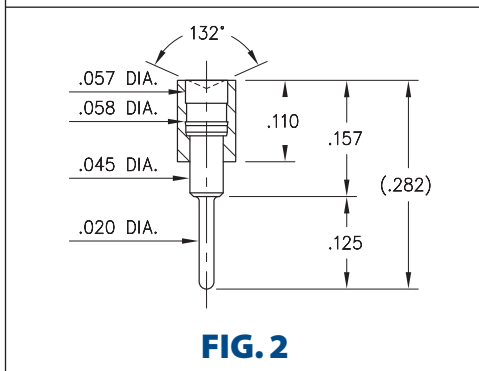


FIG. 2

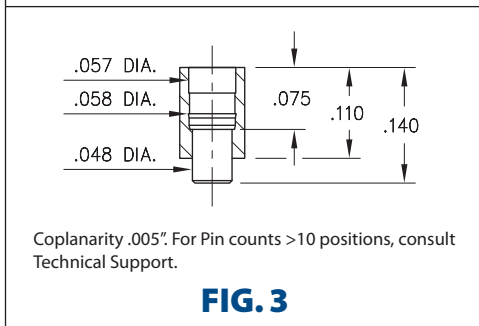


FIG. 3

Coplanarity .005". For Pin counts >10 positions, consult Technical Support.

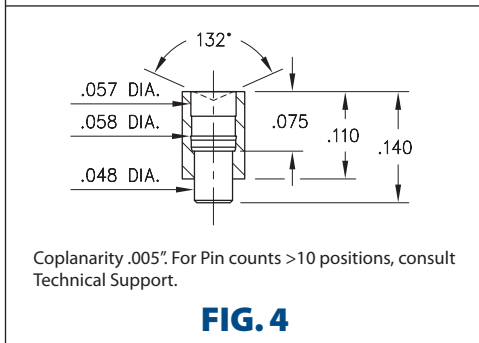
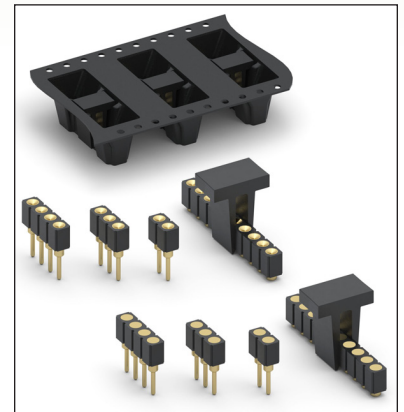




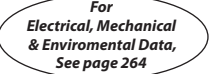

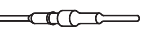
FIG. 4

Coplanarity .005". For Pin counts >10 positions, consult Technical Support.

- Series 830 2mm Spring Target Connectors, supplied in single row strips
- Target connectors provide an excellent gold-plated conductive path back to the board-mounted spring pin connector. Available in both through-hole and SMT terminations with the choice of either flat or concave face contact surfaces. Concave face targets provide additional surface area for mating with our standard .032" diameter plungers
- Target connectors use MM #1949, #1950, #1951, and #1952 pins. See page 223.1 for details
- Insulators are high temperature thermoplastic



ORDERING INFORMATION

FIG. 1	Series 830...003 Flat face / Solder Tails
	830-10-0__-10-003000 Specify number of pins 01-20
FIG. 2	Series 830...004 Concave face / Solder Tails
	830-10-0__-10-004000 Specify number of pins 01-20
FIG. 3	Series 830...30-003 Flat face / Surface Mount
	830-10-0__-30-003XXX Specify number or pins 02-10 Tube packaged = 000 Tape & reel packaged = 191 400 parts per 13" reel
FIG. 4	Series 830...30-004 Concave face / Surface Mount
	830-10-0__-30-004XXX Specify number or pins 02-10 Tube packaged = 000 Tape & reel packaged = 191 400 parts per 13" reel
  	
SPECIFY PLATING CODE XX=	10 
Pin Plating 	10 μ" Au