



Chipsmall Limited consists of a professional team with an average of over 10 year of expertise in the distribution of electronic components. Based in Hongkong, we have already established firm and mutual-benefit business relationships with customers from,Europe,America and south Asia,supplying obsolete and hard-to-find components to meet their specific needs.

With the principle of “Quality Parts,Customers Priority,Honest Operation,and Considerate Service”,our business mainly focus on the distribution of electronic components. Line cards we deal with include Microchip,ALPS,ROHM,Xilinx,Pulse,ON,Everlight and Freescale. Main products comprise IC,Modules,Potentiometer,IC Socket,Relay,Connector.Our parts cover such applications as commercial,industrial, and automotives areas.

We are looking forward to setting up business relationship with you and hope to provide you with the best service and solution. Let us make a better world for our industry!



## Contact us

Tel: +86-755-8981 8866 Fax: +86-755-8427 6832

Email & Skype: info@chipsmall.com Web: www.chipsmall.com

Address: A1208, Overseas Decoration Building, #122 Zhenhua RD., Futian, Shenzhen, China

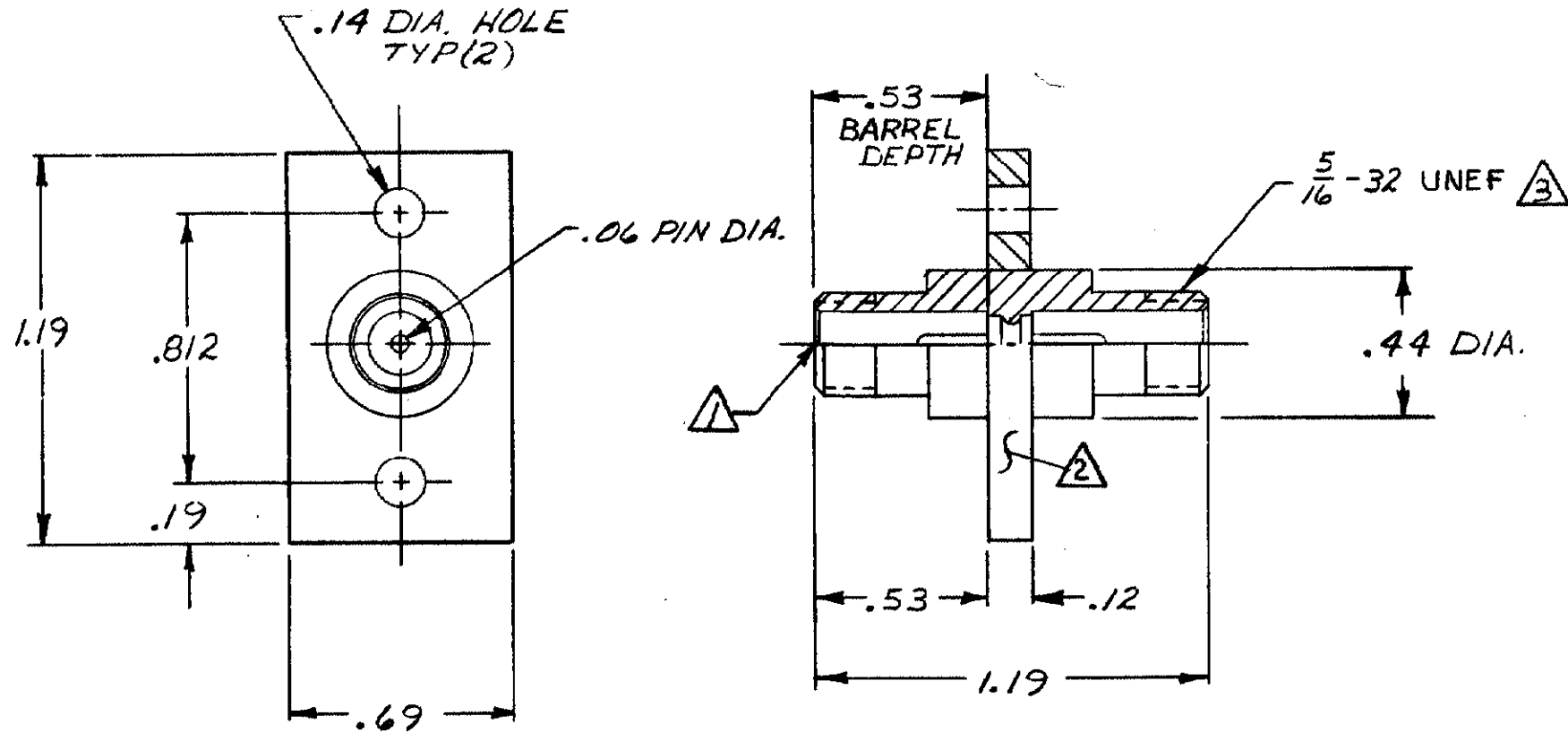


DRAWING MADE IN AMERICAN PROJECTION

© 1970 BY AMP INCORPORATED. ALL RIGHTS RESERVED. AMP PRODUCTS COVERED BY PATENTS AND/OR PATENTS PENDING.

THIS PRODUCT DESIGNED AND BUILT BY AMP INCORPORATED. NO LICENSE TO USE THAT DESIGN IN MANUFACTURE, OR TO USE ANY ISSUED OR PENDING PATENTS WHICH ARE INVOLVED, IS IMPLIED.

REVISIONS				
ZONE	LTR	DESCRIPTION	DATE	APPROVED
	E	REVISED & REDRAWN	10-14-70	Ken K
	F	REVISED NOTE 1.	10-15-73	J.P.
	G	REVISED PER ECN 4349	5-22-74	M.S.
	H	REV PER ECN S-3960	9/16/87	R.B.



- 1. RECEPTACLE TO MATE WITH AMP LGH-1/2 LEAD ASSEMBLY, AVAILABLE SEPARATELY.
- 2. MARK AMP & AMP PIN (MARKING IN WHITE)
- 3. PER FEDERAL STANDARD H-28 3 WIRE METHOD DIMENSION OVER WIRES TO BE: .307-.318

830174-2	AS SHOWN WITH GOLD PLATED PIN
830174-1	AS SHOWN WITH TIN PLATED PIN

QTY REQD	QTY R_QD	ITEM NO.	DWG SIZE	PART OR IDENTIFYING NO.	NOMENCLATURE OR DESCRIPTION	SYMBOL
-2	-1					

				UNLESS OTHERWISE SPECIFIED: DIMENSIONS ARE IN INCHES TOLERANCES .00 ± .04 ANGLES .000 ± .015		CONTRACT NO. DR J.S. 5-27-65		<b>AMP INCORPORATED</b> CAPITRON DIVISION ELIZABETHTOWN, PENNSYLVANIA	
				MATERIAL: MOLDED GLASS EPOXY		CHK			
				FINISH: BLACK		APPD J.W. GAW 6-18-65		SIZE B	
						APPD		CODE IDENT NO. 89110	
						DSGN APPD		NUMBER 830174	
						OTHER APPD		SCALE 2:1	
								WT	
								SHEET 1/1	

PRINT DIST 37