



Chipsmall Limited consists of a professional team with an average of over 10 year of expertise in the distribution of electronic components. Based in Hongkong, we have already established firm and mutual-benefit business relationships with customers from,Europe,America and south Asia,supplying obsolete and hard-to-find components to meet their specific needs.

With the principle of “Quality Parts,Customers Priority,Honest Operation,and Considerate Service”,our business mainly focus on the distribution of electronic components. Line cards we deal with include Microchip,ALPS,ROHM,Xilinx,Pulse,ON,Everlight and Freescale. Main products comprise IC,Modules,Potentiometer,IC Socket,Relay,Connector.Our parts cover such applications as commercial,industrial, and automotives areas.

We are looking forward to setting up business relationship with you and hope to provide you with the best service and solution. Let us make a better world for our industry!



Contact us

Tel: +86-755-8981 8866 Fax: +86-755-8427 6832

Email & Skype: info@chipsmall.com Web: www.chipsmall.com

Address: A1208, Overseas Decoration Building, #122 Zhenhua RD., Futian, Shenzhen, China

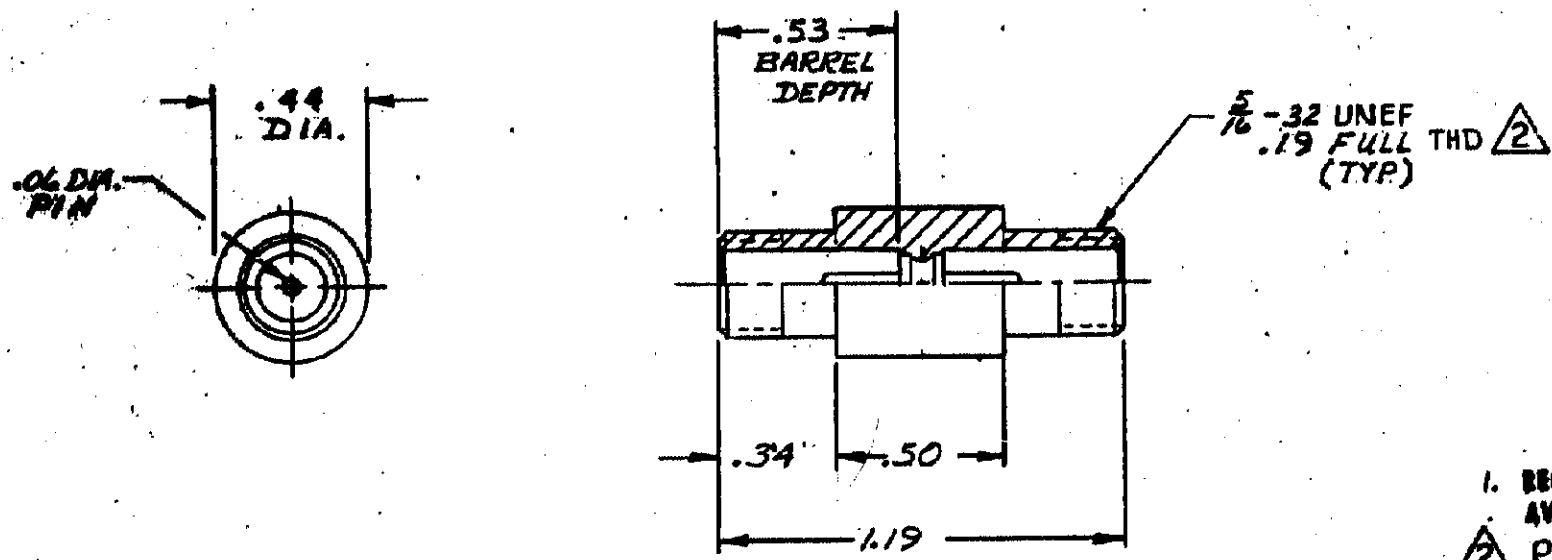


DRAWING MADE IN AMERICAN PRODUCTION

© 1969 BY AMP INCORPORATED. ALL RIGHTS RESERVED. AMP PRODUCTS COVERED BY PATENTS AND/OR PATENT PENDING.

ALL DIMENSIONS ARE IN INCHES UNLESS OTHERWISE SPECIFIED. DIMENSIONS ARE TO BE TAKEN TO THE CENTER OF THE WIRE UNLESS OTHERWISE SPECIFIED.

REVISIONS				
ZONE	LTR	DESCRIPTION	DATE	APPROVED
	E	MAT'L WAS B-10	11/22/72	Ken K.
	F	REVISED NOTE 1	10-15-73	JPA
	G	REVISED PER ECN 4349	5-22-74	D.S.
	H	REV PER ECN 5-3960	9/16/87	RS
	J	OBS. 830177-2 ECN DF-0694 mc	9/13/88	J.W.



1. RECEPTACLE TO MATE WITH AMP LGN - 1/2 LEAD ASSEMBLY. AVAILABLE SEPARATELY.
 2. PER FEDERAL STANDARD H-28 3 WIRE METHOD. DIMENSION OVER WIRES TO BE: .307-.315.

OBS	830177-2	AS SHOWN EXCEPT CONTACT (GOLD PLATED)
	830177-1	AS SHOWN EXCEPT CONTACT (TIN PLATED)

QTY REQD	QTY REQD	ITEM NO.	DWG SIZE	PART OR IDENTIFYING NO.	NOMENCLATURE OR DESCRIPTION	SYMBOL
-2	-1					

UNLESS OTHERWISE SPECIFIED DIMENSIONS ARE IN INCHES TOLERANCES .10-.24 ANGLES .000-.015				CONTRACT NO. OR <i>4-16-69</i>		AMP INCORPORATED CAPTRON DIVISION ELIZABETHTOWN, PENNSYLVANIA	
MATERIAL: MOLDED GLASS EPOXY				CHK <i>J.P. [Signature]</i>		NAME RECEPTACLE, FEED-THRU FOR SPLICE APPLICATION LGN-2	
FINISH: BLACK				DESIGN APPD		SIZE B	CODE IDENT NO. 00779
NEXT ASSY				OTHER APPD		NUMBER 830177	
FINAL ASSY							
NEXT ASSY							
USED ON							
APPLICATION							

CUSTOMER DRAWING
 REVISION