



Chipsmall Limited consists of a professional team with an average of over 10 year of expertise in the distribution of electronic components. Based in Hongkong, we have already established firm and mutual-benefit business relationships with customers from,Europe,America and south Asia,supplying obsolete and hard-to-find components to meet their specific needs.

With the principle of “Quality Parts,Customers Priority,Honest Operation,and Considerate Service”,our business mainly focus on the distribution of electronic components. Line cards we deal with include Microchip,ALPS,ROHM,Xilinx,Pulse,ON,Everlight and Freescale. Main products comprise IC,Modules,Potentiometer,IC Socket,Relay,Connector.Our parts cover such applications as commercial,industrial, and automotives areas.

We are looking forward to setting up business relationship with you and hope to provide you with the best service and solution. Let us make a better world for our industry!



## Contact us

Tel: +86-755-8981 8866 Fax: +86-755-8427 6832

Email & Skype: info@chipsmall.com Web: www.chipsmall.com

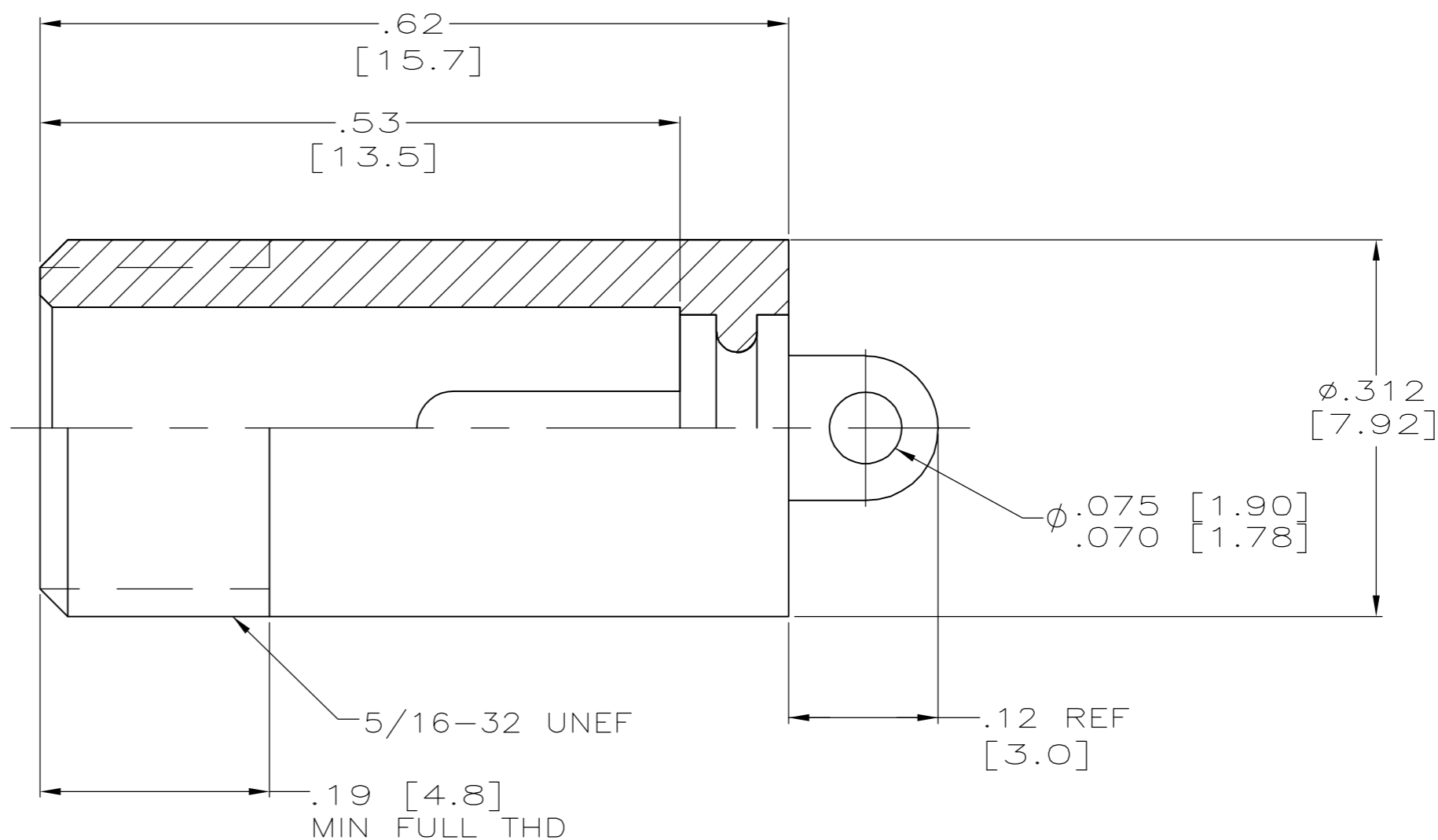
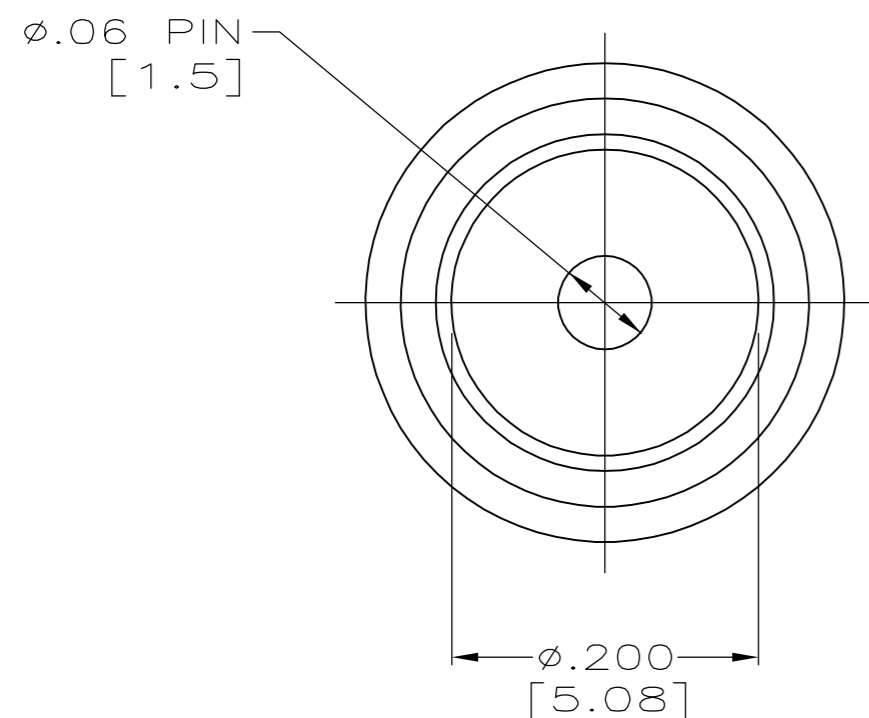
Address: A1208, Overseas Decoration Building, #122 Zhenhua RD., Futian, Shenzhen, China



THIS DRAWING IS UNPUBLISHED. RELEASED FOR PUBLICATION  
 © COPYRIGHT BY TYCO ELECTRONICS CORPORATION. ALL RIGHTS RESERVED.

LOC	DIST	REVISIONS			
P	LTR	DESCRIPTION	DATE	DWN	APVD
DF	S5	R	REV PER 0H14-0191-05	05-05	AA DE

1. RECEPTACLE TO MATE WITH AMP LGH-1/2 LEAD ASSY.
2. MARKED PER MIL-STD-130.
3. SPECIAL TESTING REQUIRED.
4. CUSTOMER PART NO. 44121-001 MARKED PER MIL-STD-130.



-	.000150 MIN TIN	5-830178-1
3/4	.000150 MIN TIN-LEAD	830178-8
3	.000150 MIN TIN-LEAD	830178-7
-	.000050 MIN GOLD	830178-3
-	.000030 MIN GOLD	830178-2
-	.000150 MIN TIN-LEAD	830178-1
REMARKS	TERMINAL PLATING	PART NO.

THIS DRAWING IS A CONTROLLED DOCUMENT.		DWN C.C.THOMAS 23-MAR-94	Tyco Electronics Corporation Harrisburg, Pa 17105-3608	
DIMENSIONS: INCHES		CHK D. EABY 24-MAR-94	NAME RECEPTACLE LGH-1/2	
TOLERANCES UNLESS OTHERWISE SPECIFIED:		APVD D. EABY 24-MAR-94	DRAWING NO 830178	
0 PLC ± - 1 PLC ± - 2 PLC ± .02[0.5] 3 PLC ± .005[0.13] 4 PLC ± - ANGLES ± - FINISH -		PRODUCT SPEC -	RESTRICTED TO -	
MATERIAL EPOXY MLDG CMPD COLOR: BLACK		APPLICATION SPEC -	SIZE A2	SCALE 4:1
CUSTOMER DRAWING		WEIGHT -	CAGE CODE 00779	SHEET 1 OF 1
			REV R	