



Chipsmall Limited consists of a professional team with an average of over 10 year of expertise in the distribution of electronic components. Based in Hongkong, we have already established firm and mutual-benefit business relationships with customers from,Europe,America and south Asia,supplying obsolete and hard-to-find components to meet their specific needs.

With the principle of “Quality Parts,Customers Priority,Honest Operation,and Considerate Service”,our business mainly focus on the distribution of electronic components. Line cards we deal with include Microchip,ALPS,ROHM,Xilinx,Pulse,ON,Everlight and Freescale. Main products comprise IC,Modules,Potentiometer,IC Socket,Relay,Connector.Our parts cover such applications as commercial,industrial, and automotives areas.

We are looking forward to setting up business relationship with you and hope to provide you with the best service and solution. Let us make a better world for our industry!



Contact us

Tel: +86-755-8981 8866 Fax: +86-755-8427 6832

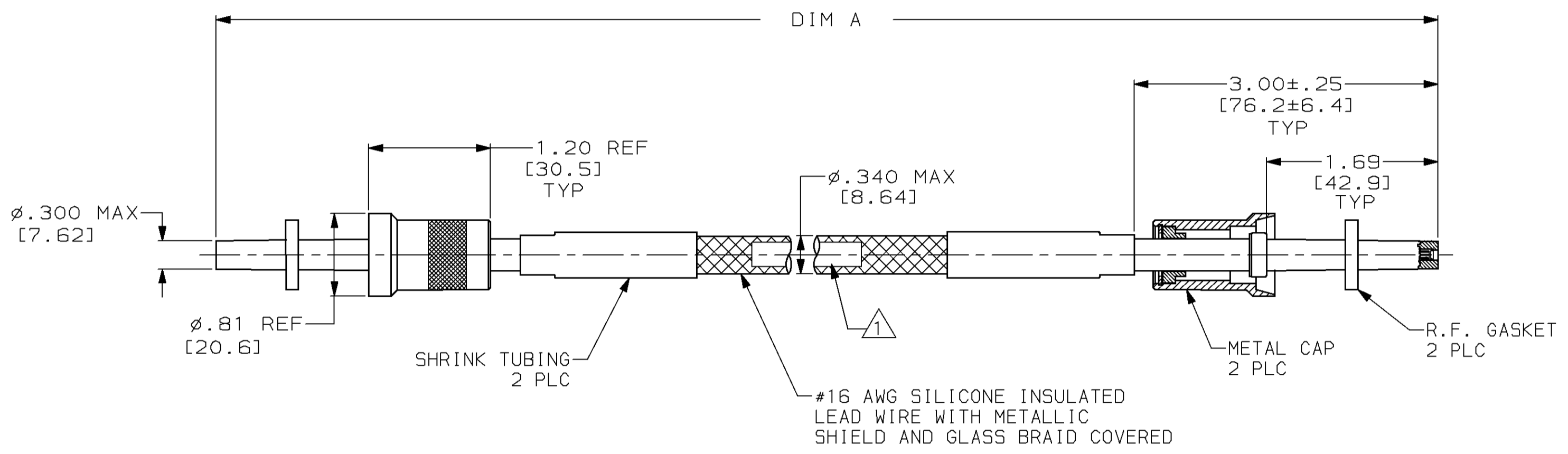
Email & Skype: info@chipsmall.com Web: www.chipsmall.com

Address: A1208, Overseas Decoration Building, #122 Zhenhua RD., Futian, Shenzhen, China



THIS DRAWING IS UNPUBLISHED. RELEASED FOR PUBLICATION
 © COPYRIGHT 19 BY AMP INCORPORATED. ALL RIGHTS RESERVED.

LOC		DIST		REVISIONS			
P	LTR	DESCRIPTION	DATE	DWN	APVD		
M		REV & REDRAWN; 0600-7293-98	4-98	CT	SG		



- 1. PART MARKED IN THIS AREA.
- 2. TOLERANCE: UP TO 24.00 [609.6] - ±.12 [±3.0]
24.00 [609.6] AND UP - ±1%
- 3. TO MATE WITH AMP LGH-1L RECEPTACLE WITH 1.69 [42.9] BARREL DEPTH.

OBSOLETE	540.00 [13716.0]	1-830473-5
OBSOLETE	420.00 [10668.0]	1-830473-4
OBSOLETE	10.00 [254.0]	1-830473-3
OBSOLETE	16.00 [406.4]	1-830473-2
	120.00 [3048.0]	1-830473-1
OBSOLETE	180.00 [4572.0]	1-830473-0
	72.00 [1828.8]	830473-9
OBSOLETE	20.00 [508.0]	830473-8
	48.00 [1219.2]	830473-7
OBSOLETE	30.00 [762.0]	830473-6
OBSOLETE	36.00 [914.4]	830473-5
OBSOLETE	50.00 [1270.0]	830473-4
OBSOLETE	24.00 [609.6]	830473-3
OBSOLETE	18.00 [457.2]	830473-2
OBSOLETE	12.00 [304.8]	830473-1
DIM A		PART NUMBER

THIS DRAWING IS A CONTROLLED DOCUMENT.		DWN C. C. THOMAS 4/27/98	AMP Incorporated Harrisburg, PA 17105-3608	
DIMENSIONS: INCHES [mm]		CHK S. GLATFELTER		
TOLERANCES UNLESS OTHERWISE SPECIFIED: 0 PLC ±- 1 PLC ±- 2 PLC ±.03 [0.8] 3 PLC ±- 4 PLC ±- ANGLES ±- FINISH -		APVD S. GLATFELTER	NAME	
		PRODUCT SPEC	CABLE ASSY, R.F. SHIELDED, LGH-1L	
MATERIAL -		APPLICATION SPEC	SIZE	RESTRICTED TO
		WEIGHT -	A2 00779	
		CUSTOMER DRAWING	DRAWING NO C-830473	
		SCALE 1:1	SHEET 1 OF 1	REV M