



Chipsmall Limited consists of a professional team with an average of over 10 year of expertise in the distribution of electronic components. Based in Hongkong, we have already established firm and mutual-benefit business relationships with customers from,Europe,America and south Asia,supplying obsolete and hard-to-find components to meet their specific needs.

With the principle of “Quality Parts,Customers Priority,Honest Operation,and Considerate Service”,our business mainly focus on the distribution of electronic components. Line cards we deal with include Microchip,ALPS,ROHM,Xilinx,Pulse,ON,Everlight and Freescale. Main products comprise IC,Modules,Potentiometer,IC Socket,Relay,Connector.Our parts cover such applications as commercial,industrial, and automotives areas.

We are looking forward to setting up business relationship with you and hope to provide you with the best service and solution. Let us make a better world for our industry!



## Contact us

Tel: +86-755-8981 8866 Fax: +86-755-8427 6832

Email & Skype: info@chipsmall.com Web: www.chipsmall.com

Address: A1208, Overseas Decoration Building, #122 Zhenhua RD., Futian, Shenzhen, China



**ebm-papst St. Georgen GmbH & Co. KG**

Hermann-Papst-Str. 1

D-78112 St. Georgen

Phone +49 (0) 7724 81-0

Fax +49 (0) 7724 81-1309

info2@de.ebmpapst.com

www.ebmpapst.com

**Nominal data**

| Type                     | 8312 H            |           |
|--------------------------|-------------------|-----------|
| Nominal voltage          | VDC               | 12        |
| Nominal voltage range    | VDC               | 6 .. 12.6 |
| Speed (rpm)              | min <sup>-1</sup> | 5000      |
| Power consumption        | W                 | 6.4       |
| Min. ambient temperature | °C                | -20       |
| Max. ambient temperature | °C                | 60        |
| Air flow                 | m <sup>3</sup> /h | 80        |
| Sound power level        | B                 | 6.2       |
| Sound pressure level     | dB(A)             | 48        |

ml = Max. load · me = Max. efficiency · fa = Free air · cs = Customer specification · ce = Customer equipment  
Subject to change

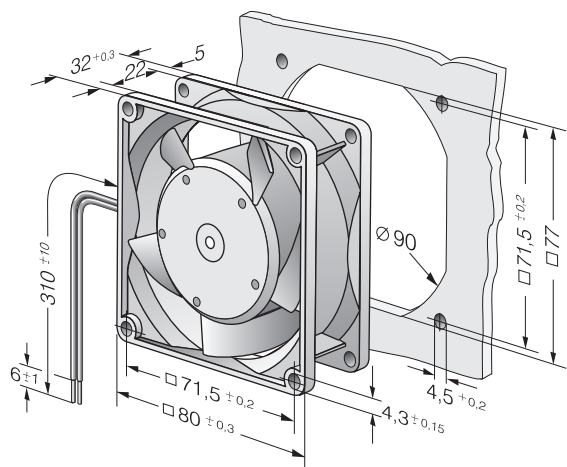


### Technical description

|  |  |
|--|--|
| <b>Housing material</b>                        | Glass-fiber reinforced PBT plastic   |
| <b>Impeller material</b>                       | Glass-fiber reinforced PA plastic  |
| <b>Weight</b>                                  | 0.170 kg   |
| <b>Dimensions</b>                              | 80 x 80 x 32 mm  |
| <b>Airflow direction</b>                       | Exhaust over struts  |
| <b>Direction of rotation</b>                   | Clockwise, viewed toward rotor   |
| <b>Storage</b>                                 | Ball bearing   |
| <b>Service life L10 at 40 °C</b>               | 55000 h  |
| <b>Service life L10 at maximum temperature</b> | 35000 h  |
| <b>Cable</b>                                   | Leads AWG 22, TR 64, stripped and tin-plated.  |
| <b>Motor protection</b>                        | Protection against reverse polarity and blocked rotor.   |
| <b>Locked-rotor protection</b>                 | Locked-rotor and overload protection   |
| <b>Approval</b>                                | VDE, CSA, UL, CE   |
| <b>Option</b>                                  | Possible custom designs:<br>Speed signal<br>Go / No-go alarm<br>Alarm with speed limit<br>External temperature sensor<br>Internal temperature sensor<br>PWM control input<br>Analog control input<br>Moisture protection<br>Salt spray protection<br>Degree of protection: IP54 / IP68 |



## Product drawing



## Curves: Air performance

