



Chipsmall Limited consists of a professional team with an average of over 10 year of expertise in the distribution of electronic components. Based in Hongkong, we have already established firm and mutual-benefit business relationships with customers from,Europe,America and south Asia,supplying obsolete and hard-to-find components to meet their specific needs.

With the principle of “Quality Parts,Customers Priority,Honest Operation,and Considerate Service”,our business mainly focus on the distribution of electronic components. Line cards we deal with include Microchip,ALPS,ROHM,Xilinx,Pulse,ON,Everlight and Freescale. Main products comprise IC,Modules,Potentiometer,IC Socket,Relay,Connector.Our parts cover such applications as commercial,industrial, and automotives areas.

We are looking forward to setting up business relationship with you and hope to provide you with the best service and solution. Let us make a better world for our industry!



## Contact us

Tel: +86-755-8981 8866 Fax: +86-755-8427 6832

Email & Skype: info@chipsmall.com Web: www.chipsmall.com

Address: A1208, Overseas Decoration Building, #122 Zhenhua RD., Futian, Shenzhen, China

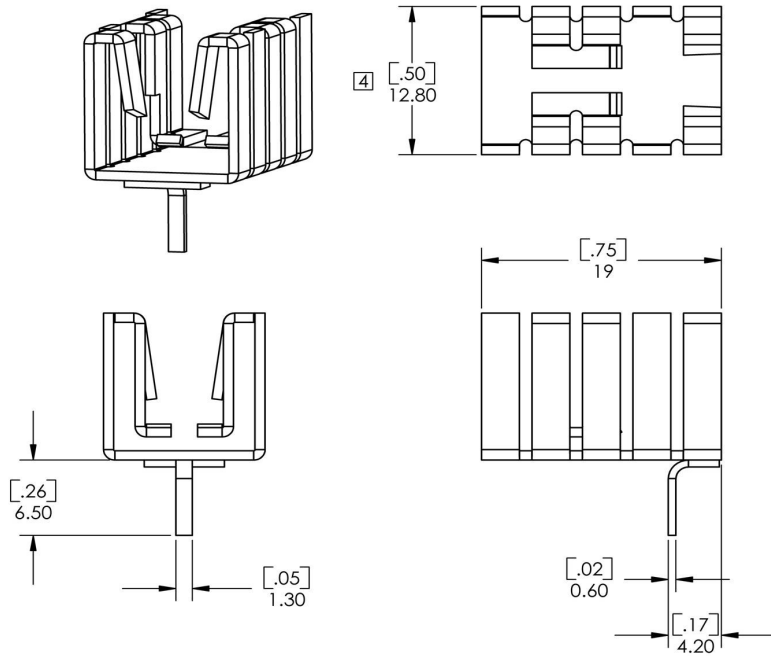
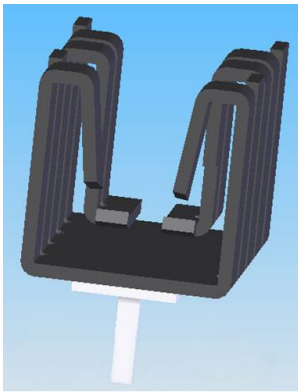


# Board Level Heat Sinks



ThermaFlo

**P/N: 831402B00000**



## PRODUCT SPECIFICATIONS

- Devices: TO-220 & TO-262
- Size: 19.0 x 12.8 x 12.7 mm
- Material: Aluminum, 1.2 mm Thick
- Weight: 1.8 grams
- Type: Stamped
- IC Mounting: Integrated Spring
- PCB Mounting: Solderable Tab
- Finish: Black Anodized
- Package: Bulk

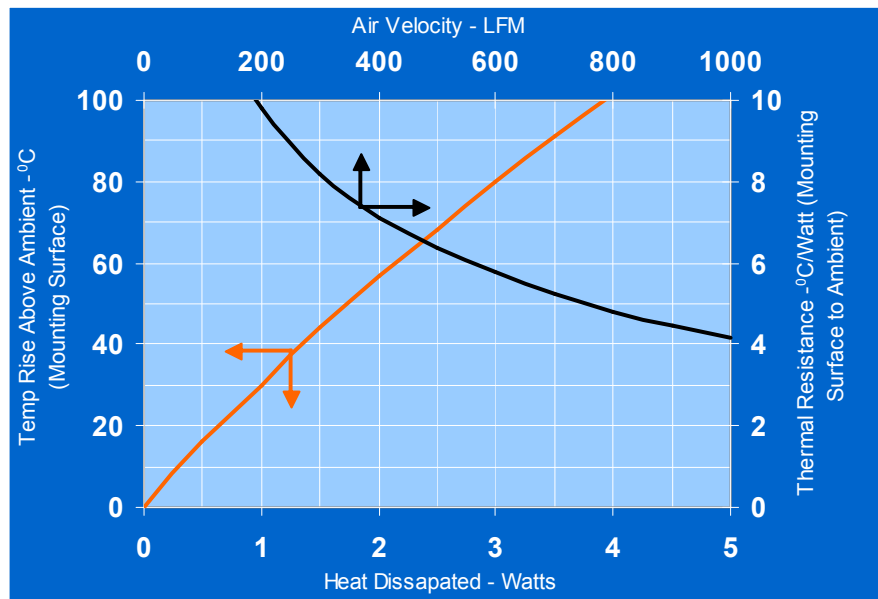
## FEATURES & BENEFITS

- No Hardware Device Attachment
- Constant Spring Force Tension
- Horizontal Mounting via Solderable Tab
- RoHS Compliant



## CUSTOMIZED HEAT SINKS

- Specialized Tabs, Plating
- Specialized Body Configurations
- Contact Applications Engineering



**TO-220, TO-262**

**COMAIR ROTRON, INC**  
 8929 Terman Court, San Diego, CA 92121  
 Ph (858) 348-6200 Fax (858) 566-4577  
 E-mail: sales@comairrotron.com,  
 Web: www.comairrotron.com