



Chipsmall Limited consists of a professional team with an average of over 10 year of expertise in the distribution of electronic components. Based in Hongkong, we have already established firm and mutual-benefit business relationships with customers from,Europe,America and south Asia,supplying obsolete and hard-to-find components to meet their specific needs.

With the principle of “Quality Parts,Customers Priority,Honest Operation,and Considerate Service”,our business mainly focus on the distribution of electronic components. Line cards we deal with include Microchip,ALPS,ROHM,Xilinx,Pulse,ON,Everlight and Freescale. Main products comprise IC,Modules,Potentiometer,IC Socket,Relay,Connector.Our parts cover such applications as commercial,industrial, and automotives areas.

We are looking forward to setting up business relationship with you and hope to provide you with the best service and solution. Let us make a better world for our industry!



Contact us

Tel: +86-755-8981 8866 Fax: +86-755-8427 6832

Email & Skype: info@chipsmall.com Web: www.chipsmall.com

Address: A1208, Overseas Decoration Building, #122 Zhenhua RD., Futian, Shenzhen, China



SUBMINIATURE MICROSWITCHES - SEALED

V4S - 8318

- › Coil spring snap-action mechanism
- › Wire lead or cable outputs, various terminal types with symmetric or asymmetric pinning
- › Excellent resistance to harsh environments - IP67/IP69 protection
- › Ratings from 1 mA 4V_{DC} to 10 A 250V_{AC}
- › Suitable for lateral approach from any direction with angle up to 35°
- › Operating temperature -40 °C up to +125 °C
- › Long mechanical life
- › Wide choice of actuators on 2 possible fixing positions (pre-assembled or retrofittable)



Main specifications

		Standard 83186	High current 83180	Medium current 83183	Dual-current 83181
Function	Connections				
I (changeover)	W2S	83186001	83180001	83183001	83181001
I (changeover)	W7S	83186002	83180002	83183002	83181002
I (changeover)	FD0	83186003	83180003	83183003	83181003
I (changeover)	FG0	83186004	83180004	83183004	83181004
I (changeover)	FB0	83186005	83180005	83183005	83181005
I (changeover)	X1S	83186006	●	●	83181006
I (changeover)	X1A	●	●	●	83181007
I (changeover)	X2S	●	●	●	83181008
I (changeover)	X2A	●	●	●	83181009
I (changeover)	X3S	●	●	●	83181010
I (changeover)	X3A	●	●	●	83181011
I (changeover)	CD0	83186012	-	83183012	83181012
I (changeover)	CG0	83186013	-	83183013	83181013
I (changeover)	CB0	83186014	-	83183014	83181014
R (normally closed)	W2S - W7S - FD0 - FG0 - FB0 - CD0** - CG0** - CB0**	831866*	831806*	831836*	831816*
C (normally open)	W2S - W7S - FD0 - FG0 - FB0 - CD0** - CG0** - CB0**	831868*	831808*	831838*	831818*
Electrical characteristics					
Rating nominal / 250 V AC (A)		6	10	3	6***
Rating thermal / 250 V AC (A)		7.5	12.5	4	7.5
Mechanical characteristics					
Maximum operating force (N)		2.5	2.5	2.5	2.5
Min. Release force (N)		0.8	0.8	0.8	0.8
Maximum total travel force (N)		4.2	4.2	4.2	4.2
Max. Allowable overtravel force (N)		10	10	10	10
Maximum rest position (mm)		9.3	9.3	9.3	9.3
Operating position (mm)		8.4 ±0.3	8.4 ±0.3	8.4 ±0.3	8.4 ±0.3
Maximum differential travel (mm)		0.15	0.15	0.15	0.15
Min. overtravel (mm)		0.6	0.6	0.6	0.6
Ambient operating temperature - terminal versions (°C)		-40 → +125	-40 → +125	-40 → +125	-40 → +125
Ambient operating temperature - wire/cable versions (°C)		-40 → +105	-40 → +105	-40 → +105	-40 → +105
Mechanical life (operations)		2x10 ⁶	2x10 ⁶	2x10 ⁶	2x10 ⁶
Contact gap (mm)		0.4	0.4	0.4	0.4
Weight (terminal versions) g		2	2	2	2

* Contact us ** Except 83180

Additional specifications

- Case: PBT GF (UL 94-V0 / GWFI 960 °C)
- Button: PBT
- Membrane: silicone rubber
- Moving blade: silver-plated beryllium copper
- Contacts: silver cadmium oxide, micro-profile
gold alloy on silver alloy, crossbar (dual-current)
- Terminals: silver-plated brass, tinned brass
- Wire leads, Cable: copper, PVC insulated
- Levers: stainless steel or plastic, polyamide roller
- Degree of protection: IP67/IP69 (mechanism and wire/cable output)
- Proof tracking index: PTI 250
- Protection against electric shock: button and actuators have reinforced insulation for U_i 250V / U_{imp} 2,5kV / pollution 2
- Recommended min actuating speed: 0.01 mm/s

Product adaptations

- › Specific fixings: special fastening pins, easy installation / snap-in housings
- › Special actuators: stainless steel or plastic, flexible levers with reinforced attachment and tear-off protection
- › Special leads and cables, leads in sleeve, full wiring with custom connector
- › Integration of resistors for specific electrical diagrams or self-diagnosis function
- › Reduced differential travel: max 0.10 mm (SF1114)
- › Long overtravel variant (2 mm), suitable for lateral approach up to 45°, wire or cable output (8320 SF1002)
- › cURus and NF approved versions (except 83180)



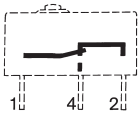
Standard product

Product made to order

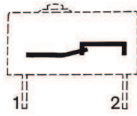
Contact us

Principles

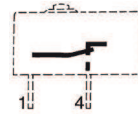
Single break snap-action switch
Changeover - SPDT (form C)



Normally closed - SPST-NC (form B)

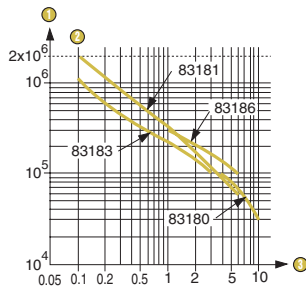


Normally open - SPST-NO (form A)



Curves

Operating curve for 250 VAC



Max ratings with DC supply

		83180	83181	83183	83186
12 V	Resistive	10 A	6 A	3 A	6 A
	Inductive L/R 5 ms	10 A	6 A	3 A	6 A
24 V	Resistive	10 A	6 A	3 A	6 A
	Inductive L/R 5 ms	5 A	5 A	3 A	5 A

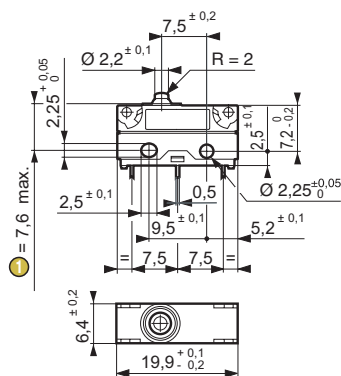
- 1 Number of cycles
- 2 Resistive circuit
- 3 Current in Amps

*** Model 83181 is designed to operate equally well on low current (1 mA 4 V minimum recommended) or medium-current (6 A maximum) circuits. However, a given product should only be used to switch one type of circuit during its working life.

Dimensions

Product

8318
Symmetrical version

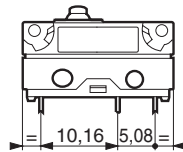


- 1 Total travel position

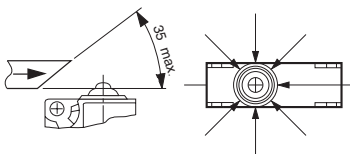
Fixing with M2 screws

Recommended tightening torques: - screw only: 0.2 N.m
- screw with washer: 0.3 N.m

8318
Asymmetrical version (X.A connections)



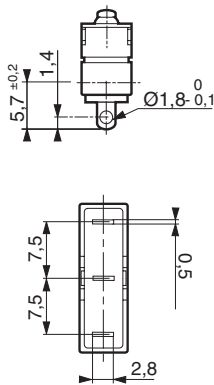
Recommendations for lateral approach



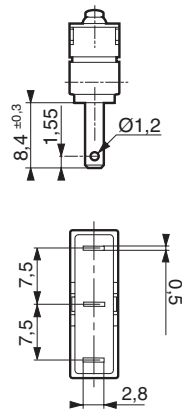
In order to reduce friction and wear, the actuating ramp shall preferably be of POM, PA, or steel, and also be as smooth as possible. As a general rule, the use of any lubricant substance is not needed nor recommended. For particular cases, please consult us.

Connections

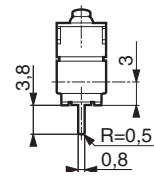
W2S solder



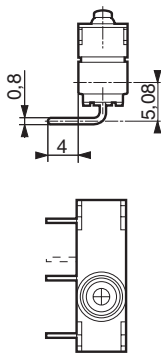
W7S quick-connect 2.8 x 0.5



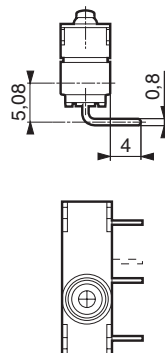
X1A for PCB asymmetrical, straight output X1S for PCB symmetrical, straight output



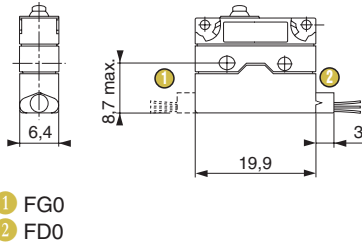
X2A for PCB asymmetrical, rear output X2S for PCB symmetrical, rear output



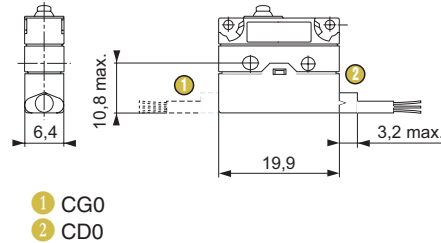
X3A for PCB asymmetrical, front output X3S for PCB symmetrical, front output



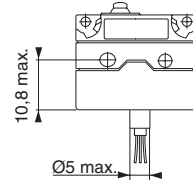
FD0 wire output on right FG0 wire output on left



CD0 cable output on right CG0 cable output on left



FB0 wire output on bottom CB0 cable output on bottom



Wire/Cable characteristics: Black = Common, Grey = NC, Blue = NO

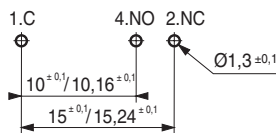
Wire cross-section: 83181 / 83183 / 83186 = 0.5 mm² - 83180 = 0.75 mm²

Cable cross-section: 83181 / 83183 / 83186 = 3 x 0.5 mm² or 2 x 0.5 mm²

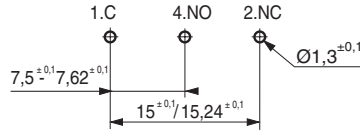
Standard length: 500 mm (other lengths on request)

Drilling

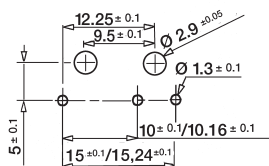
Printed circuit board mounting Asymmetrical X1A, X2A, X3A



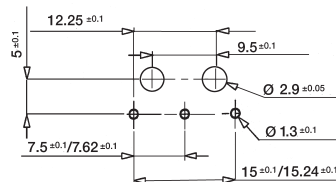
Printed circuit board mounting Symmetrical X1S, X2S, X3S



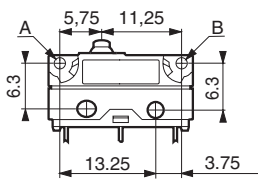
Mounting on a printed circuit board with fixing pins Asymmetrical



Mounting on a printed circuit board with fixing pins Symmetrical



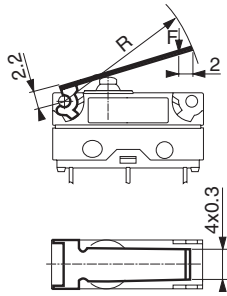
Actuator mounting positions



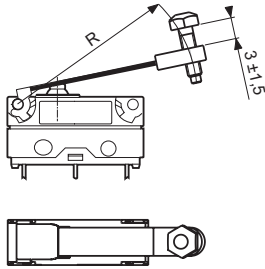
To calculate force: divide the switch force by the coefficient in the table
To calculate travel: multiply the switch travel by the same coefficient

Actuators

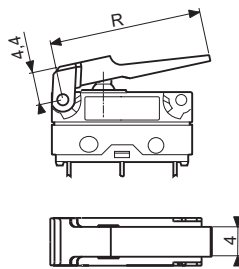
170A flat



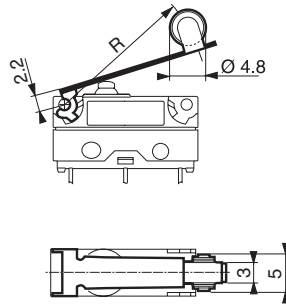
170D adjustable



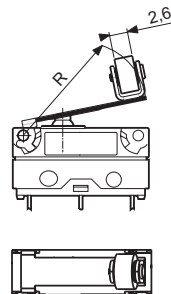
79257876 plastic



170E roller

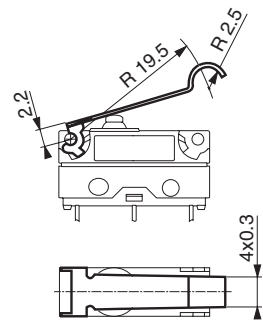


170EL transverse roller

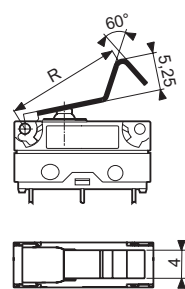


Other shapes and dimensions:
consult us

170F dummy roller

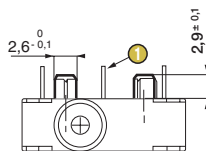


79250004 folded



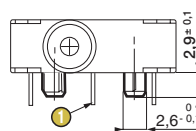
Mounting accessories

Locating pins 79219682



① X2S-X2A connections










Locating pins 79219682



① X3S-X3A connections

Other shapes and dimensions:
consult us

Actuators and mounting accessories

Part numbers for standard actuators		79253327	79253326	79253328	79218454	79253329
Actuators		Flat 170A R18,3	Flat 170A R24	Flat 170A R41	Roller 170E R20	Dummy roller 170F R19,5
						
Fixing positions		A B	A B	A B	A B	A B
Coefficient		3 1,5	4 2	7 3,5	3 1,5	3 1,5
Operating position		10 ±1 9,4 ±0,6	10,8 ±1,4 9,8 ±0,8	11,4 ±2,6 9,3 ±1,5	14,7 ±1,3 14,2 ±0,8	12,6 ±1,2 11,9 ±0,7
Part numbers for standard actuators		79218491	79218493	79250004	79257876	
Actuators		Adjustable 170D R26,5	Transverse roller 170EL R18	Folded R16,5	Plastic (PARA GF50) R20,5	
						
Fixing positions		A B	A B	A B	A B	
Coefficient		4 2	3 1,5	2,5 1,2	3 -	
Operating position		16,6 ±1,8* 15,5 ±1,1*	16,3 ±1,2 15,6 ±0,8	15 ±1 13,9 ±0,6	10,6 ±1,1 -	

* Factory setting. Adjustment range +/- 1.5 mm

Except where otherwise indicated, levers are supplied unmounted. For factory mounting, specify fixing position A or B.

V4S 8318 microswitches with referenced actuators

Actuator	170A R18.3		170A R24		170E R20		170F R19.5		Folded R16,5		
	79253327		79253326		79218454		79253329		79250004		
	Pos A	Pos B	Pos A	Pos B	Pos A	Pos B	Pos A	Pos B	Pos A	Pos B	
83186	I W2S	83186051	83186052	83186053	83186054	83186055	83186056	83186057	83186058	●	●
	I W7S	83186059	83186060	83186061	83186062	83186063	83186064	83186065	83186066	●	●
	I FD0	83186067	83186068	83186069	83186070	83186071	83186072	83186073	83186074	●	●
	I FG0	●	●	●	●	83186075	●	●	●	●	●
	I X1S	●	83186046	●	●	83186080	83186047	●	●	●	●
	I X2S	●	●	●	●	●	●	●	●	●	●
	I X3S	●	●	●	●	●	●	●	●	●	●
83181	I W2S	83181051	83181052	83181053	83181054	83181055	83181056	83181057	83181058	●	●
	I W7S	83181059	83181060	83181061	83181062	83181063	83181064	83181065	83181066	●	●
	I FD0	83181067	83181068	83181069	83181070	83181071	83181072	83181073	83181074	●	83181083
	I FG0	●	●	●	●	●	●	●	●	●	83181082
	I X1S	●	●	●	●	●	●	●	●	●	●
	I X2S	●	●	●	●	●	●	●	●	●	●
	I X3S	●	●	83181080	●	●	●	●	83181106	●	●

Installation recommendations

See "Basic technical concepts"

How to order

Use the 8 digit part numbers when they are defined

Other cases, precise:

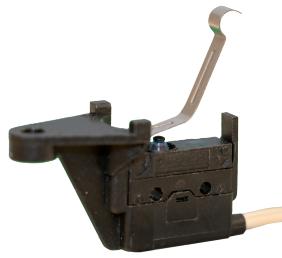
Type of microswitch - Function - Connection - UL/NF approval* - Actuator* - Fixing position* - Mounting accessories* - Adaptation*

* if needed
Example: 83186 I X2S UL/NF 170E R20 B 79219682

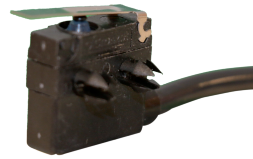
Examples of special adaptations



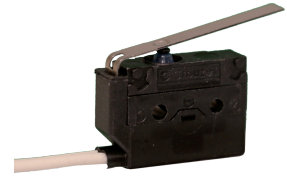
Easy installation / snap-in housing and special actuator with tear-off protection



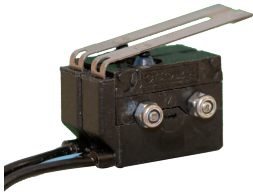
Special housing with single fastening hole on upper face, for 4 mm blind rivet or screw



Fastening pins for 2.8 max thickness and Ø 4mm holes (79253576)



Flexible lever fitted on special housing with wire or cable output



Two-pole assembly with linked levers



Custom bracket with integrated metal plungers and complete wiring with sealed connector



2 mm overtravel variant with wire lead output