



Chipsmall Limited consists of a professional team with an average of over 10 year of expertise in the distribution of electronic components. Based in Hongkong, we have already established firm and mutual-benefit business relationships with customers from,Europe,America and south Asia,supplying obsolete and hard-to-find components to meet their specific needs.

With the principle of "Quality Parts,Customers Priority,Honest Operation,and Considerate Service",our business mainly focus on the distribution of electronic components. Line cards we deal with include Microchip,ALPS,ROHM,Xilinx,Pulse,ON,Everlight and Freescale. Main products comprise IC,Modules,Potentiometer,IC Socket,Relay,Connector.Our parts cover such applications as commercial,industrial, and automotives areas.

We are looking forward to setting up business relationship with you and hope to provide you with the best service and solution. Let us make a better world for our industry!



## Contact us

Tel: +86-755-8981 8866 Fax: +86-755-8427 6832

Email & Skype: info@chipsmall.com Web: www.chipsmall.com

Address: A1208, Overseas Decoration Building, #122 Zhenhua RD., Futian, Shenzhen, China



## 83 540 0 1 -pole Telescopic button Part number 835400



- High switch rating
- Low level
- Long mechanical life
- Reliability

### Part numbers

Type	Functions	Connections
83 540 0 1 -pole Telescopic button	Changeover	W2 solder

### Specifications

#### General characteristics

Microswitch	83 132 0
-------------	----------

#### Presentation

Threaded barrel	•
Chrome-plated nuts	•
Locating washer	•
Chrome-plated toggle	-

#### Mechanical characteristics

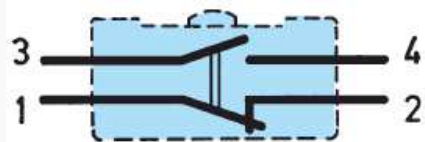
Protection against electric shocks to IEC 536 and NF 20030	Class I
Mechanical durability of operating device (operating cycles)	$5 \times 10^5$
Weight (g)	20

### Other characteristics

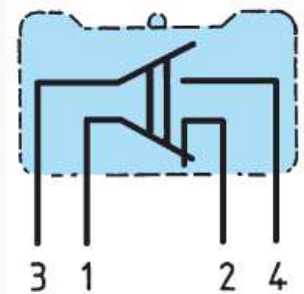
#### Mounting - Operation

See basic technical concepts.

### Principles



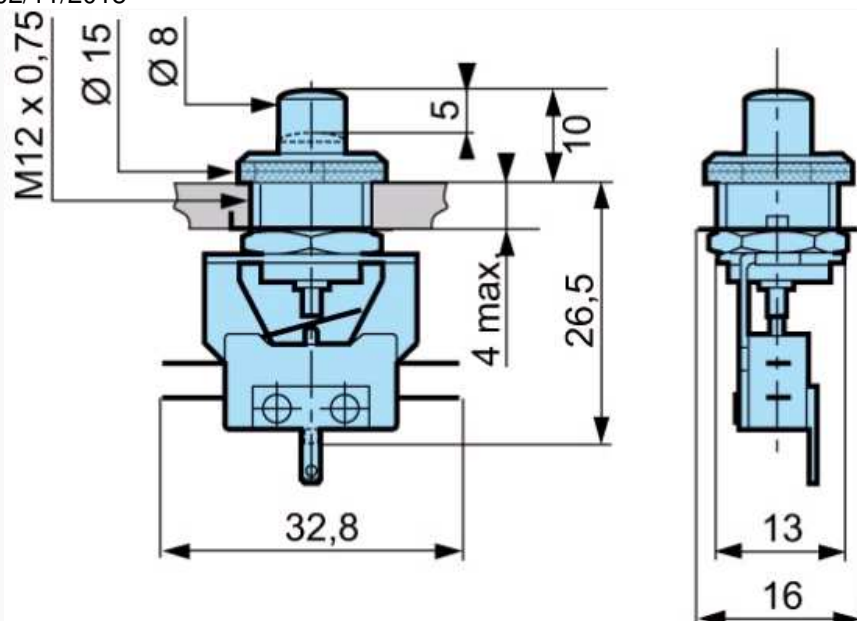
### Principles



### Dimensions (mm)

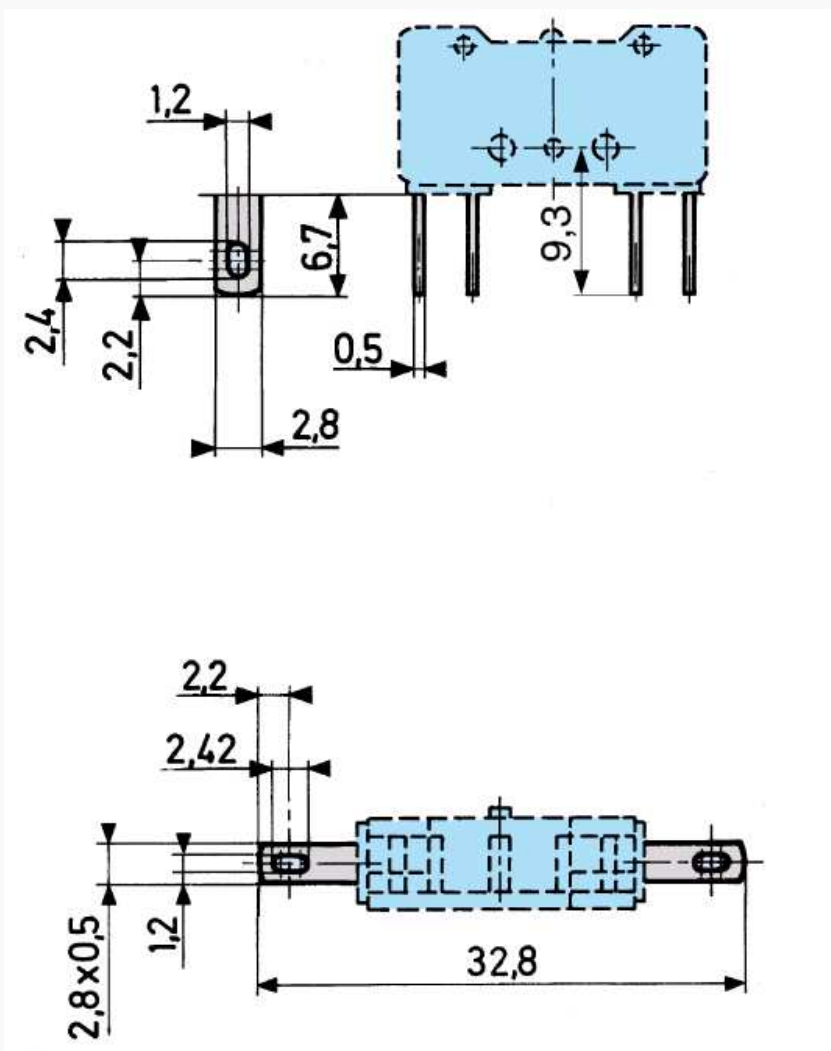
#### Product

EN COM\_MAN\_N014



#### Dimensions (mm)

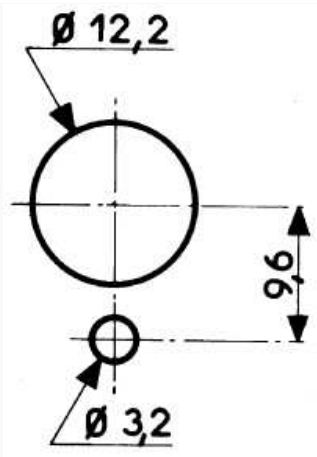
#### Connections



#### Dimensions (mm)

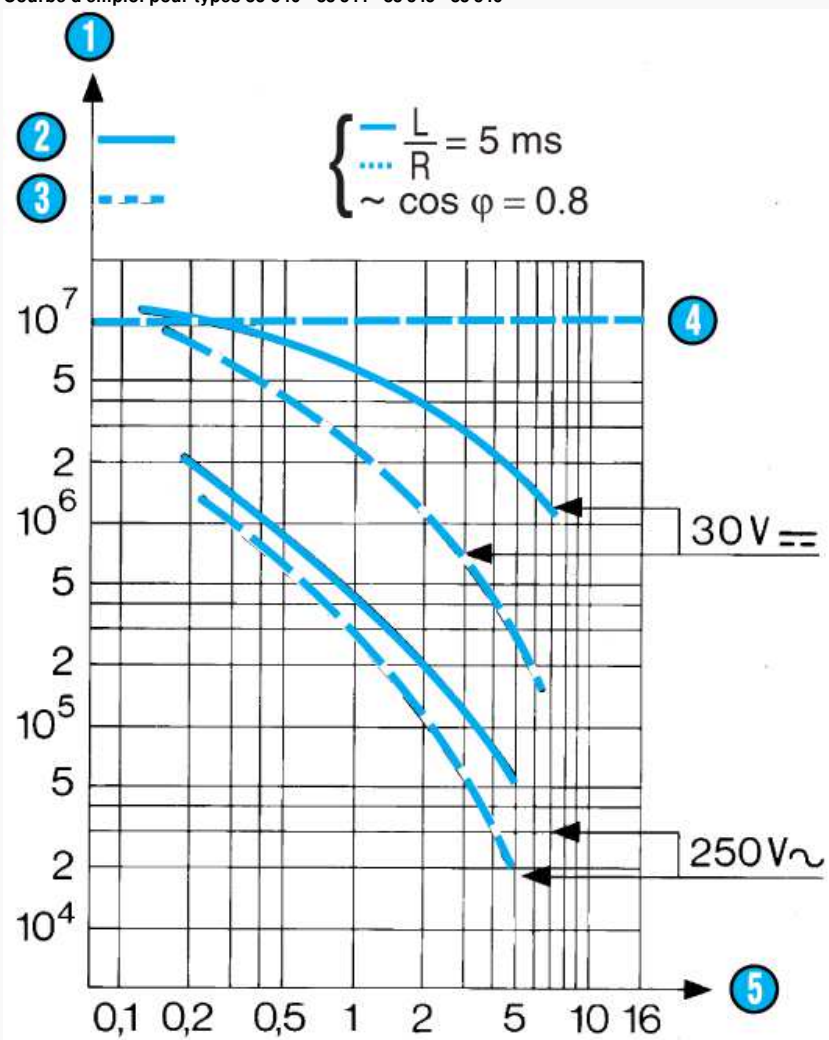
#### Drilling

EN COM\_MAN\_N013



Curves

Courbe d'emploi pour types 83 540 - 83 544 - 83 545 - 83 546



N°	Legend
①	Number of cycles
②	Resistive circuit
③	Inductive circuit
④	Mechanical life limit
⑤	Rating in Amps

**Other information**

Accessories : please consult us.