



Chipsmall Limited consists of a professional team with an average of over 10 year of expertise in the distribution of electronic components. Based in Hongkong, we have already established firm and mutual-benefit business relationships with customers from,Europe,America and south Asia,supplying obsolete and hard-to-find components to meet their specific needs.

With the principle of “Quality Parts,Customers Priority,Honest Operation,and Considerate Service”,our business mainly focus on the distribution of electronic components. Line cards we deal with include Microchip,ALPS,ROHM,Xilinx,Pulse,ON,Everlight and Freescale. Main products comprise IC,Modules,Potentiometer,IC Socket,Relay,Connector.Our parts cover such applications as commercial,industrial, and automotives areas.

We are looking forward to setting up business relationship with you and hope to provide you with the best service and solution. Let us make a better world for our industry!



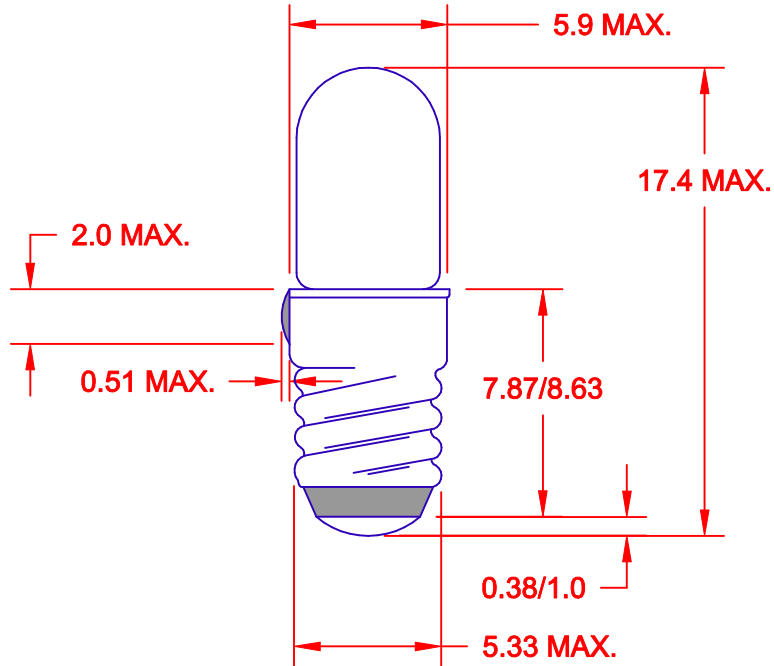
Contact us

Tel: +86-755-8981 8866 Fax: +86-755-8427 6832

Email & Skype: info@chipsmall.com Web: www.chipsmall.com

Address: A1208, Overseas Decoration Building, #122 Zhenhua RD., Futian, Shenzhen, China





OUTSIDE DIAMETER		THREADS PER INCH	DEPTH OF THREAD	RADIUS OF THREAD
MAJOR CREST OF THREAD	MINOR ROOT OF THREAD			
MIN. .206" (5.23mm)	-----	25.4	.011" MIN. (.28mm)	.0116" (.29mm)
MAX. .210" (5.33mm)	MAX. .188" (4.77mm)			

JKL LAMP NUMBER	VOLTS RATED	AMPS ±10%	MSCP ±25%	LUMENS ±25%	AVERAGE LIFE HRS.	FILAMENT TYPE
1769	2.5	.200	.200	2.51	500	C-2R
373	14.0	.080	.500	6.29	2,500	C-2F
8384	28.0	.040	.200	2.51	50,000	C-2F
335	28.0	.040	.340	4.27	4,000	C-2F
8369	28.0	.065	.650	8.17	5,000	C-2F

			METRIC DIMENSIONS ARE IN MILLIMETERS TOLERANCE UNLESS OTHERWISE SPECIFIED 1 PL +/- 0.2 2 PL +/- 0.20 ANGLE +/- 0		JKL COMPONENTS CORPORATION				
			DRAWN BY: L. WENGSTROM APP'VD BY: E.D. DATE: 4/9/01		TITLE: T-1 3/4 STANDARD MIDGET SCREW BASE LAMP				
A DELETE NOTE RELEASE & CANCEL 335LSV 4/9/01 11/17/00			- CAD DRAWING - MANUAL REVISIONS NOT PERMITTED		SIZE: A	FSCM NO.: 55335	DRAWING NO.: SCREW BASE T-1 3/4--17.4		
REV. NO.	DESCRIPTION/ECO NUMBER	APP'VD DATE			SCALE: NONE	RELEASED DATE: 11/17/00	REVISION DATE: 4/9/01	REV. NO.: A	SHEET 1 OF 1