



Chipsmall Limited consists of a professional team with an average of over 10 year of expertise in the distribution of electronic components. Based in Hongkong, we have already established firm and mutual-benefit business relationships with customers from,Europe,America and south Asia,supplying obsolete and hard-to-find components to meet their specific needs.

With the principle of “Quality Parts,Customers Priority,Honest Operation,and Considerate Service”,our business mainly focus on the distribution of electronic components. Line cards we deal with include Microchip,ALPS,ROHM,Xilinx,Pulse,ON,Everlight and Freescale. Main products comprise IC,Modules,Potentiometer,IC Socket,Relay,Connector.Our parts cover such applications as commercial,industrial, and automotives areas.

We are looking forward to setting up business relationship with you and hope to provide you with the best service and solution. Let us make a better world for our industry!



## Contact us

Tel: +86-755-8981 8866 Fax: +86-755-8427 6832

Email & Skype: info@chipsmall.com Web: www.chipsmall.com

Address: A1208, Overseas Decoration Building, #122 Zhenhua RD., Futian, Shenzhen, China



BASIC PART NUMBER: 83808- X X X X X X X

CARD TYPE: I  
CARD TYPE: II

I/O: CLOSED WITH GROUND CONTACT  
I/O: 1 CONNECTOR  
I/O: 2 CONNECTORS

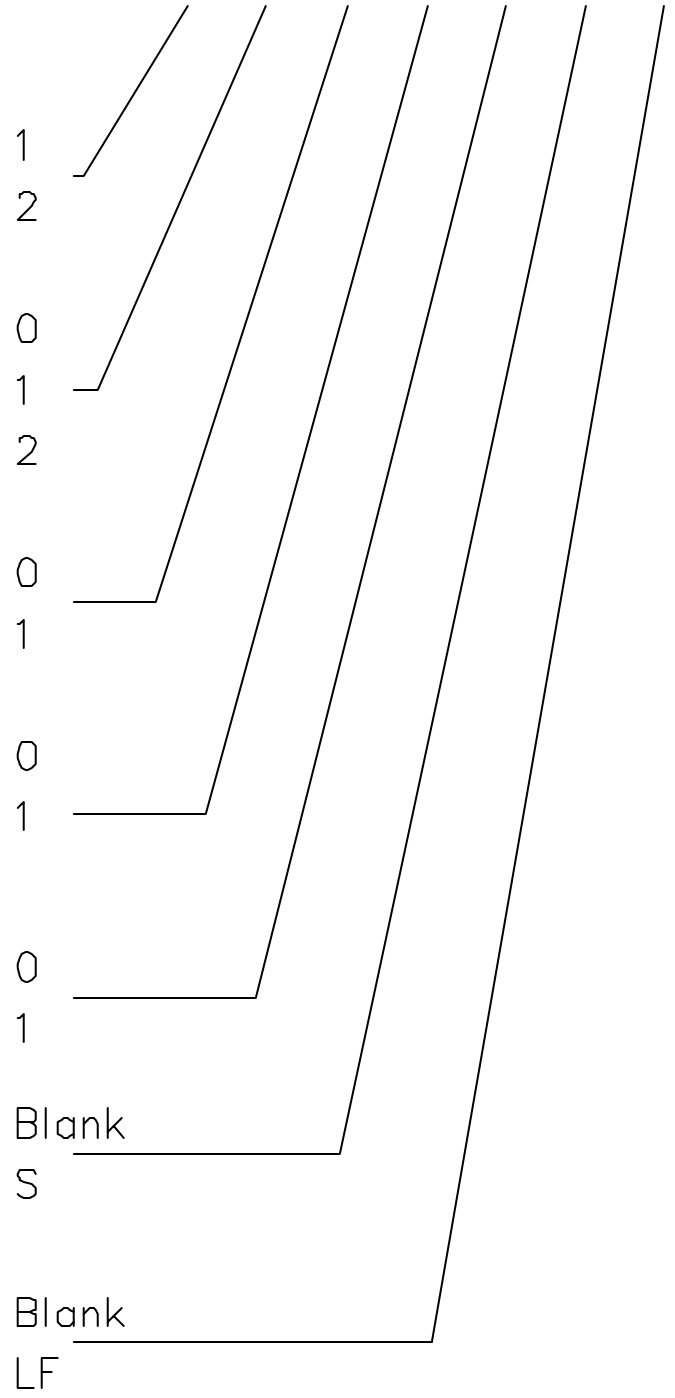
LABEL RECESS: NO  
LABEL RECESS: YES

INSULATOR: NO  
INSULATOR: YES

CARDBUS: NO  
CARDBUS: YES

PACKAGING: 1000Pcs/BOX  
PACKAGING: 200Pcs/BOX

ALL PART NUMBER: RoHS COMPLIANT SPECIFICATION



83808-XXXXXX IS SIMILAR TO 83808-XXXXXXLF, THE SUFFIX "LF" IS ADDED FOR LEAD FREE IDENTIFICATION  
THIS PRODUCT MEETS EUROPEAN UNION DIRECTIVES AND OTHER COUNTRY REGULATIONS AS PER GS-22-008. PACKAGING SPECIFICATION GS-14-920

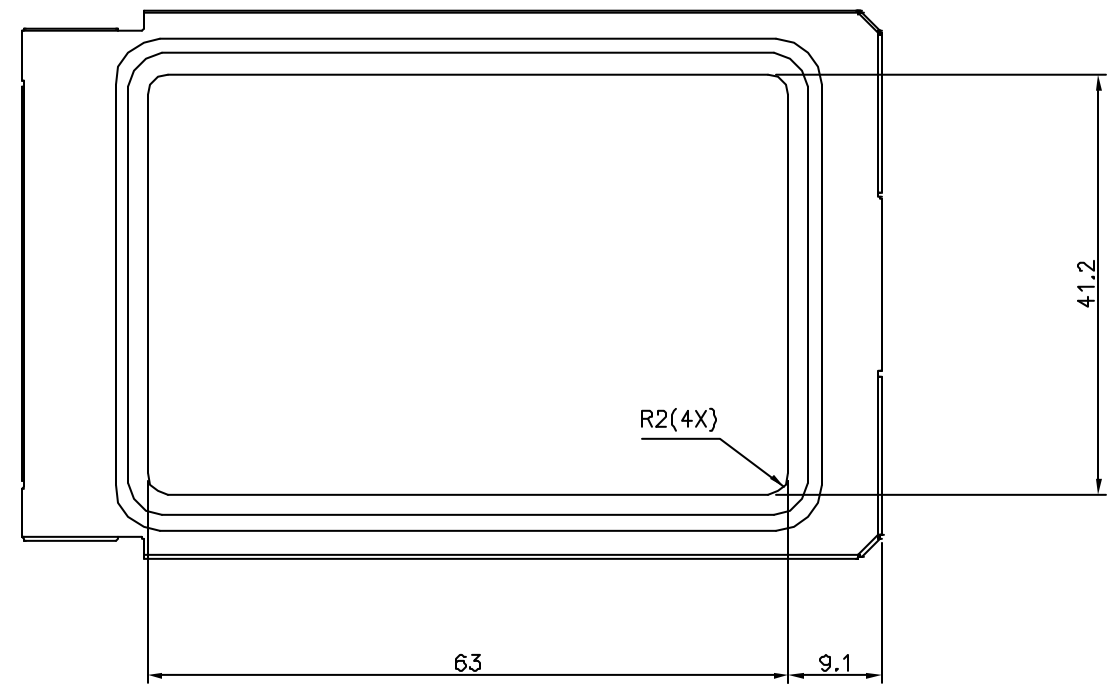
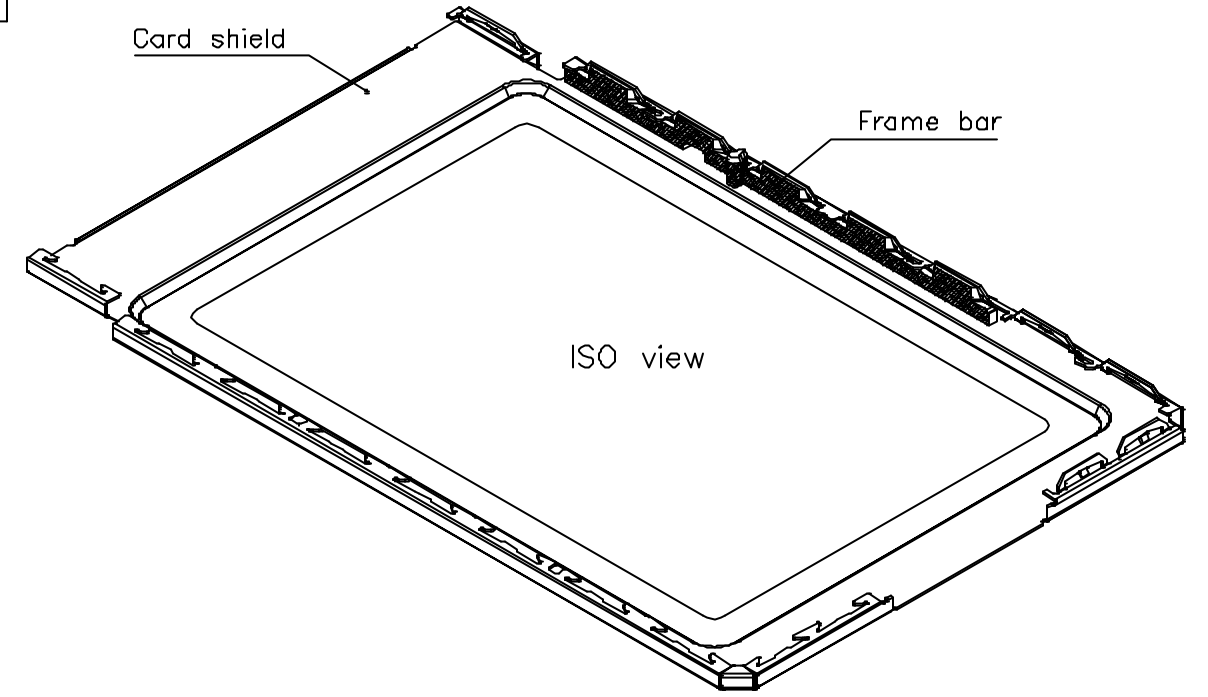
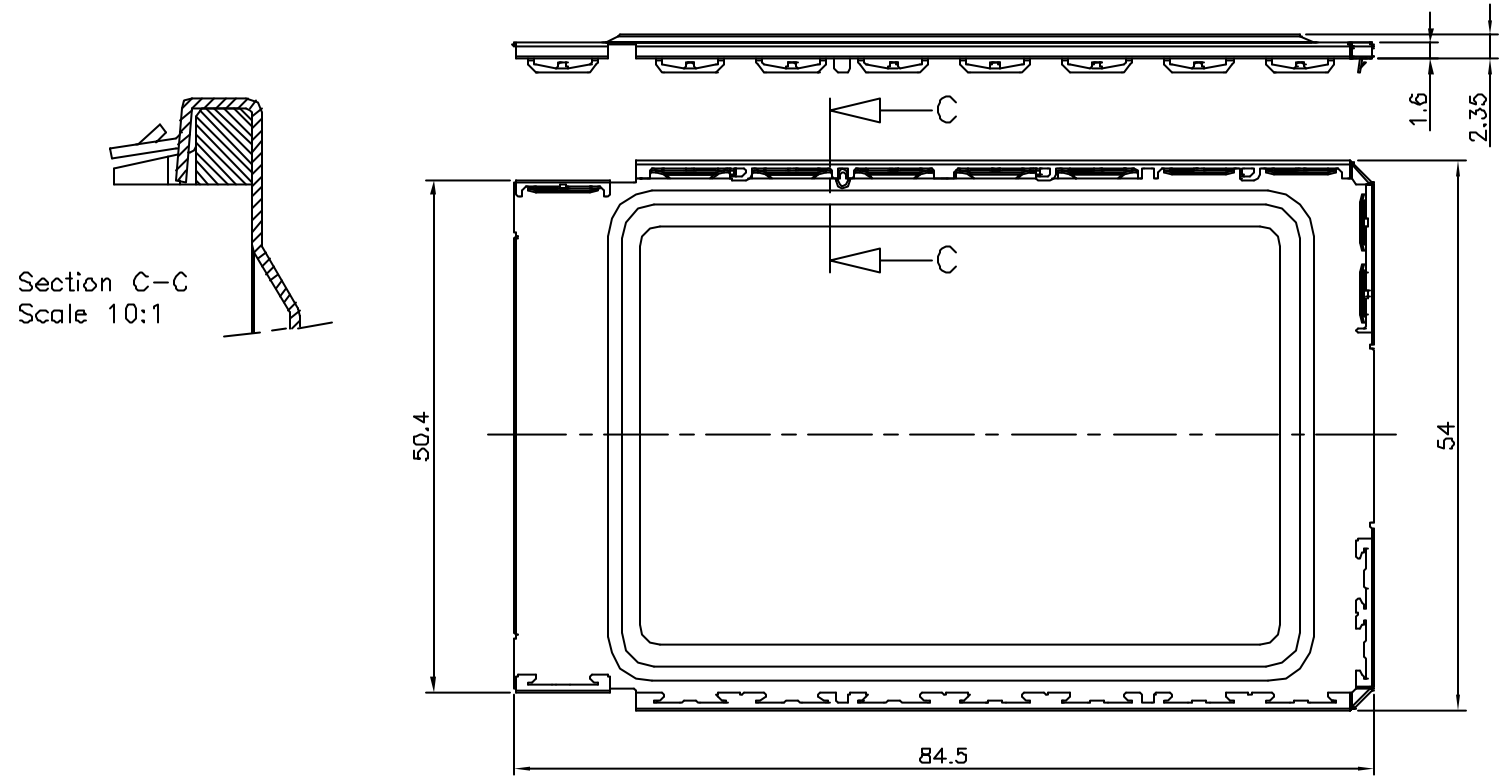
PROPERTIES:

CARD SHIELD: STAINLESS STEEL, THICKNESS 0.2mm  
SURFACE FINISH: MATTE  
FRAME BAR: PPO, COLOR BLACK, UL94V-0  
INSULATOR: DIELECTRIC STRENGTH 2500V

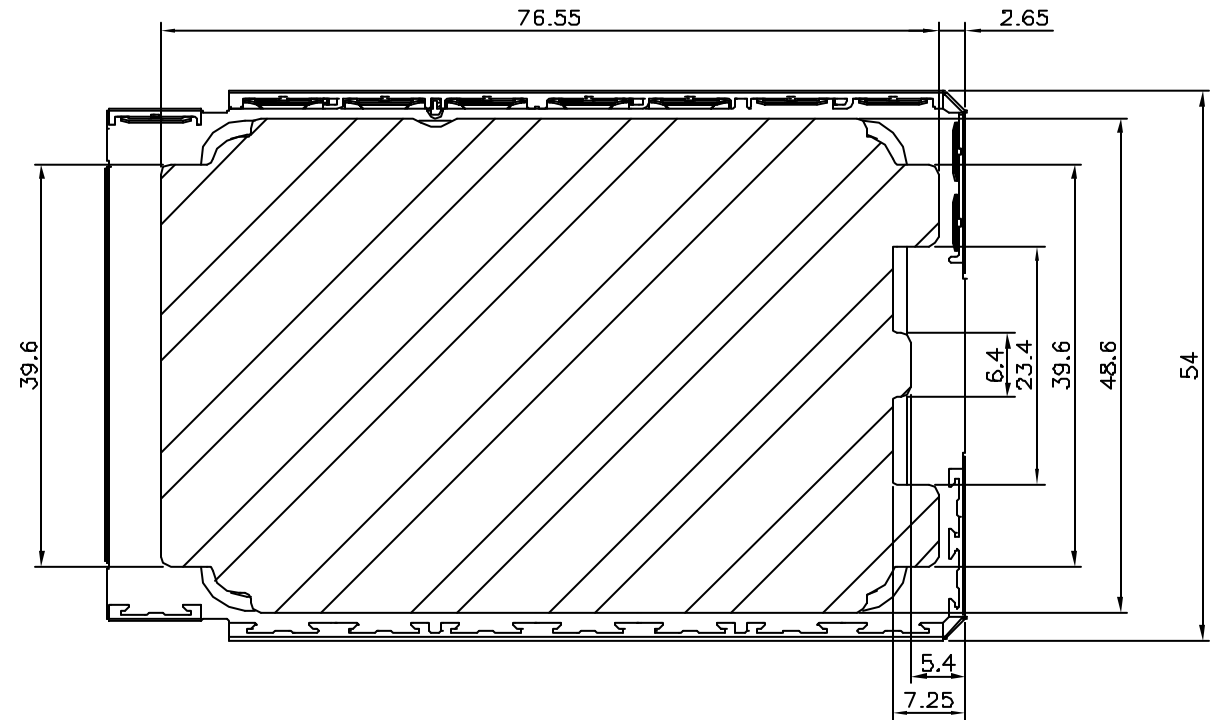
mat'l. code				surface <input checked="" type="checkbox"/> ISO 1302		tolerance <input checked="" type="checkbox"/> ISO 406 <input type="checkbox"/> ISO 1101				projection		product family PCMCIA					
Ltr	ecn no	dr	date	tolerances unless otherwise specified								title ROCARD SHIELD					
H	F10514	DLE	01.09.07	angles		linear											
J	F05-0254	DLE	05.09.26														
K	F06-0138	DLE	06.02.27														
L	F06-0138	DLE	06.02.27	dr	D LEGRAND		01.09.07				dwg no		sheet 1 of 10		size		
M	F06-0248	DLE	06.07.28	engr	F HAUTIER		99.04.29				83808		A4				
				chr	D LEGRAND		99.04.29										
G	F00439	DLE	00.06.19	app	F HAUTIER		99.04.29		type		CUSTOMER Drawing						
sheet index		revision sheet		M	G	G	G	G	F	F	F	F					
				1	2	3	4	5	6	7	8	9	10				

Product number	Insulator	Label recess
83808-21000LF	no	no
83808-21010LF	yes	no
83808-21100LF	no	yes
83808-21110LF	yes	yes

Product number	Packaging
83808-xxxxxLF	1000 Rocard Shield/Box
83808-xxxxxSLF	200 Rocard Shield/Box



Version: Label recess  
(maximum label thickness 0.07 mm)



Version: Insulator  
(thickness 0.07 mm)

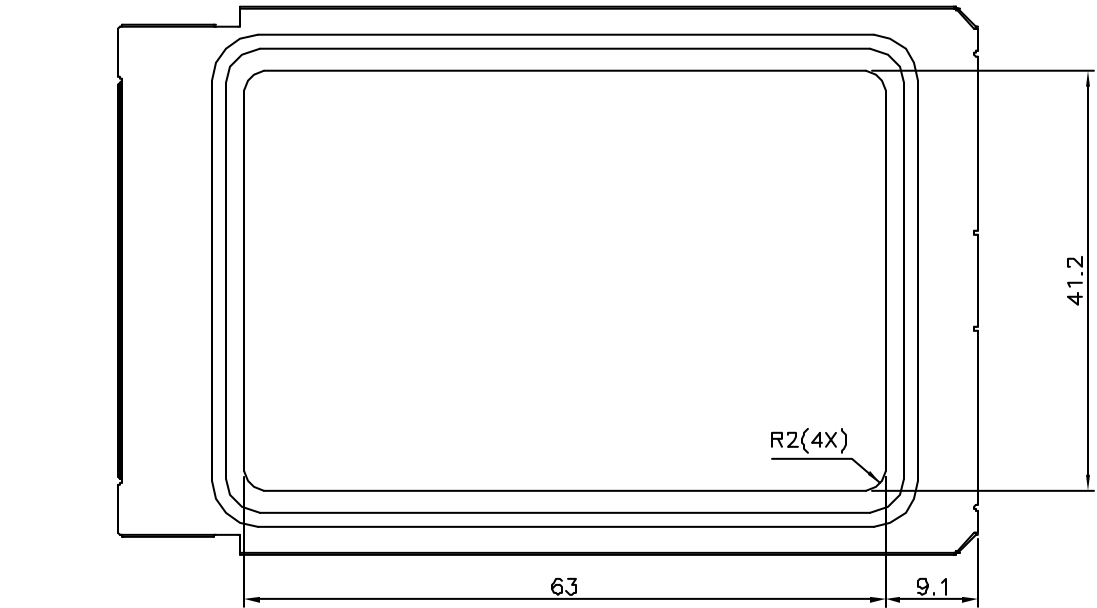
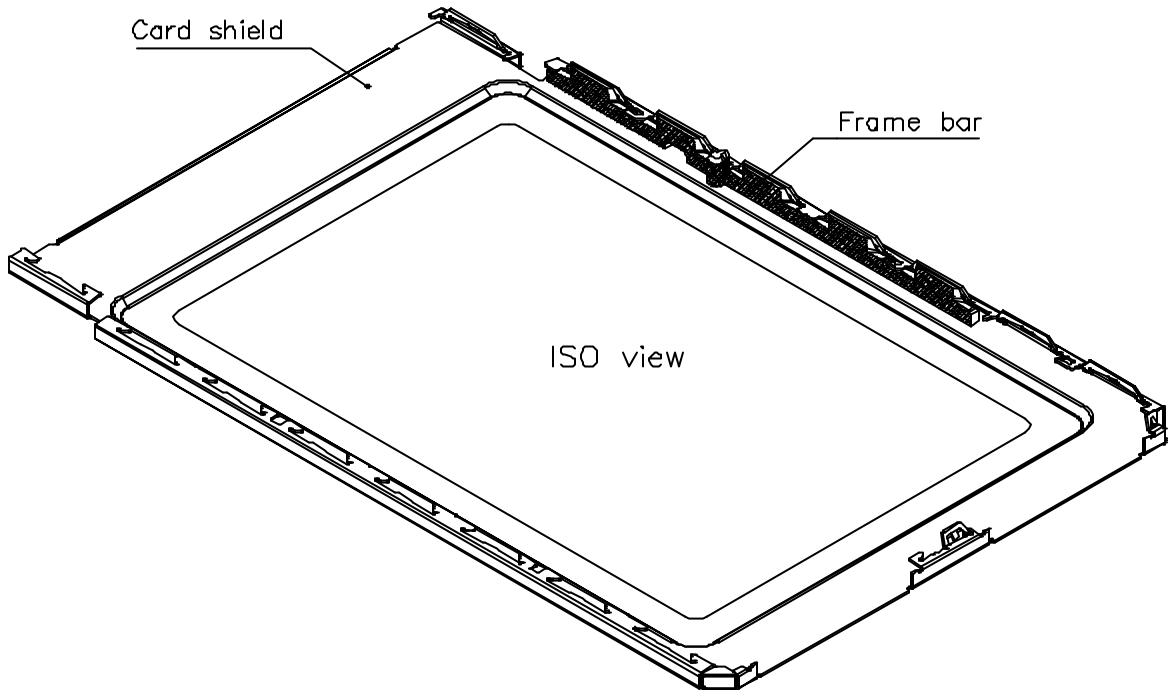
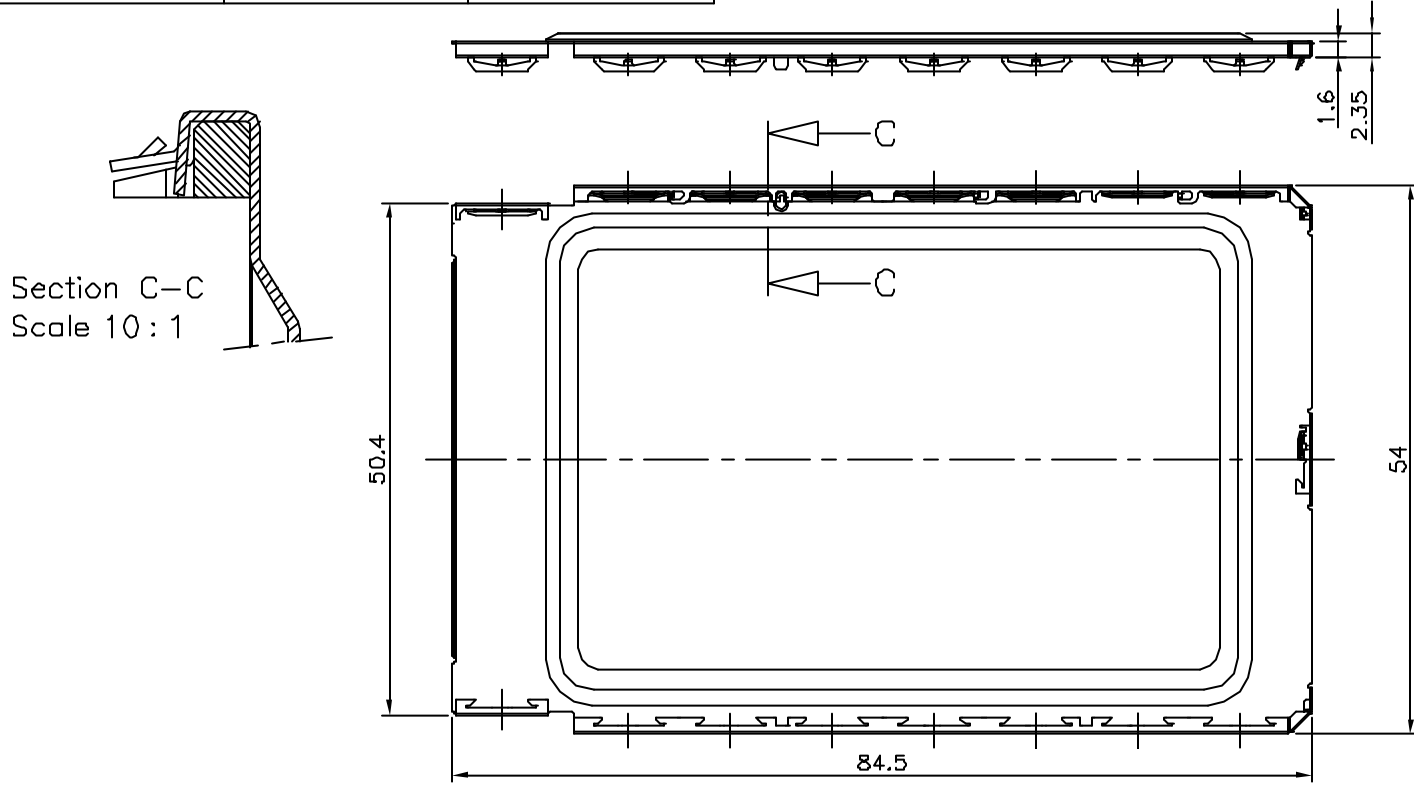
lfr	ecr	no	dr	date	surface	tolerance	projection	product family
A	H80049	GCA	98.02.12		ISO 1302	ISO 416 ISO 1101	mm	PCMCIA
B	F80195	GCA	98.04.08		tolerances unless otherwise specified			title
C	F80323	DLE	99.05.04		angles	linear	scale 2:1	ROCARD SHIELD TYPE II, 1x1/0
D	F10514	DLE	01.08.07	dr	H VEREUKEN	98.02.12		sheet 2 of -
E	F05-0254	DLE	05.09.26	enfr	F HAUTIER	99.05.04		83808
F	F08-0138	DLE	06.02.27	chr	D LEGRAND	99.05.04		Az
G	F06-0248	DLE	06.07.28	app	F HAUTIER	99.05.04		type
sheet	revision							CUSTOMER Drawing
index	sheet							



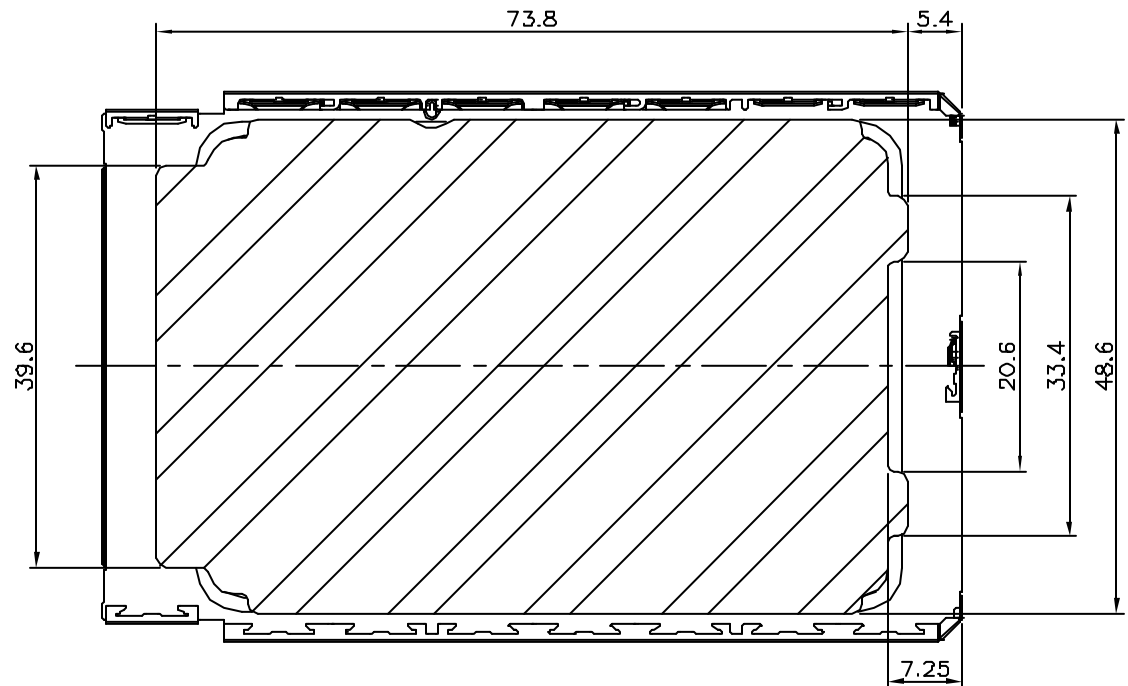
Copyright FCI

Product number	Insulator	Label recess
83808-22000LF	no	no
83808-22010LF	yes	no
83808-22100LF	no	yes
83808-22110LF	yes	yes

Product number	Packaging
83808-xxxxxLF	1000 Rocard Shield/Box
83808-xxxxxSLF	200 Rocard Shield/Box



Version: Label recess  
(maximum label thickness 0.07 mm)

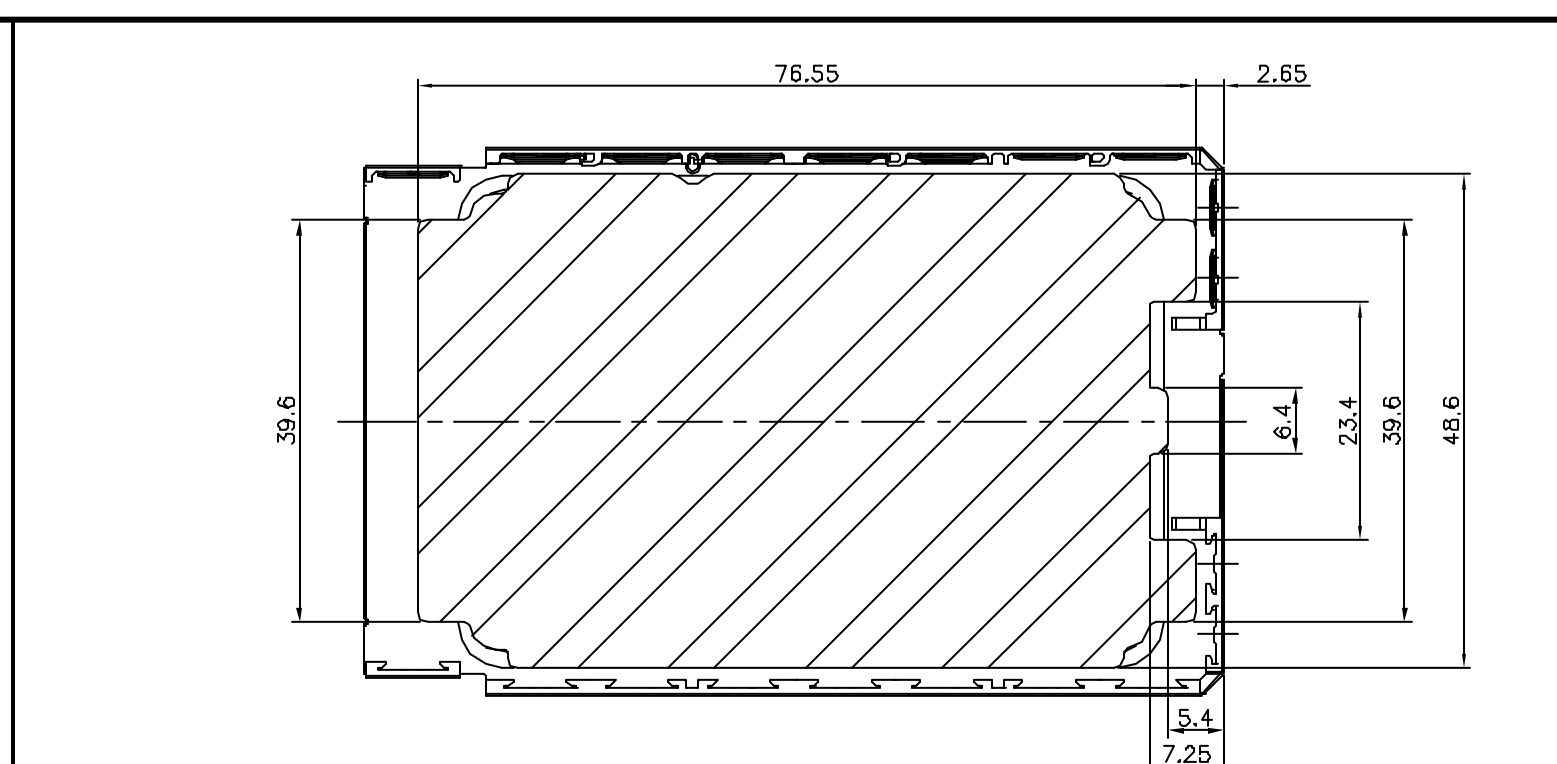
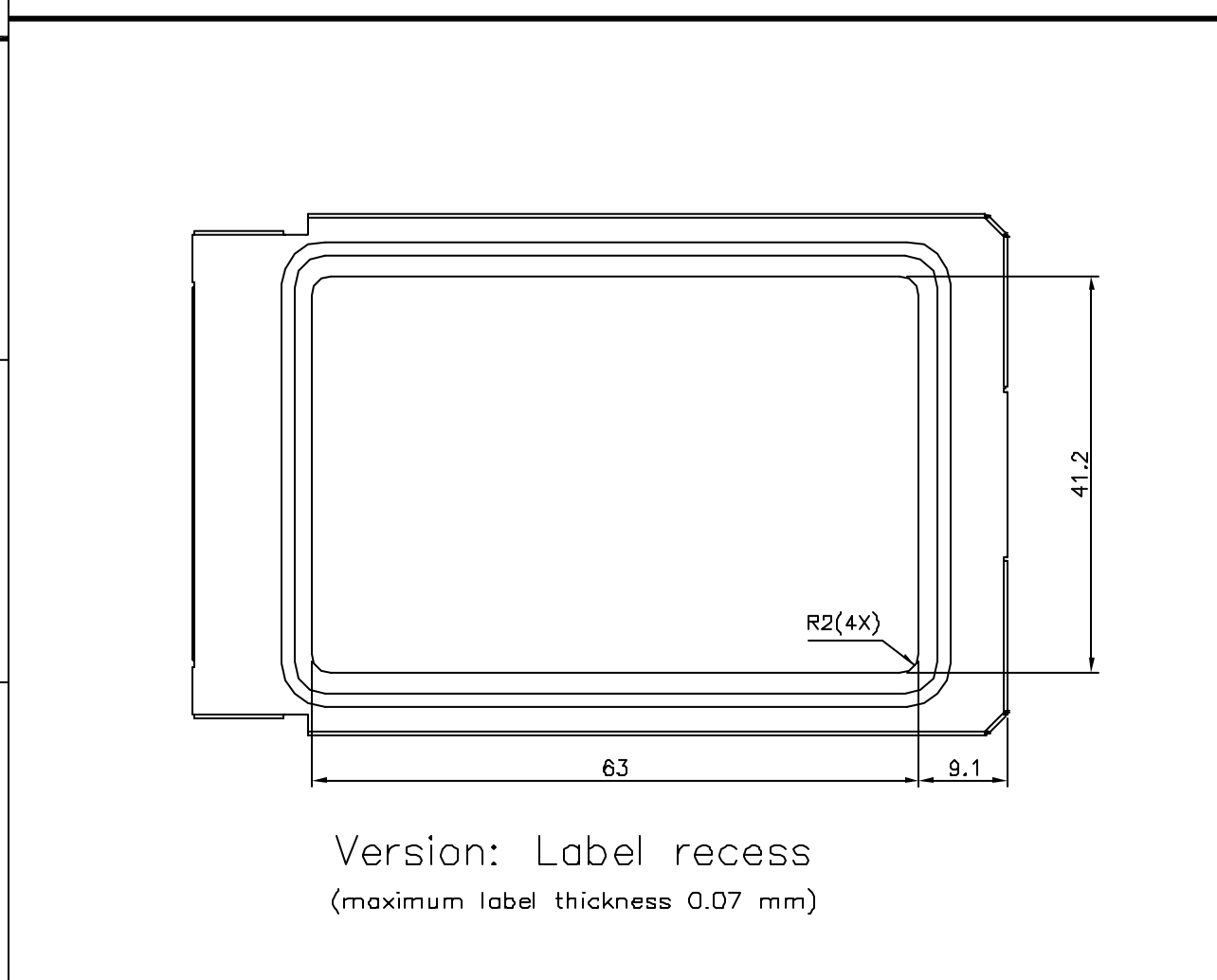
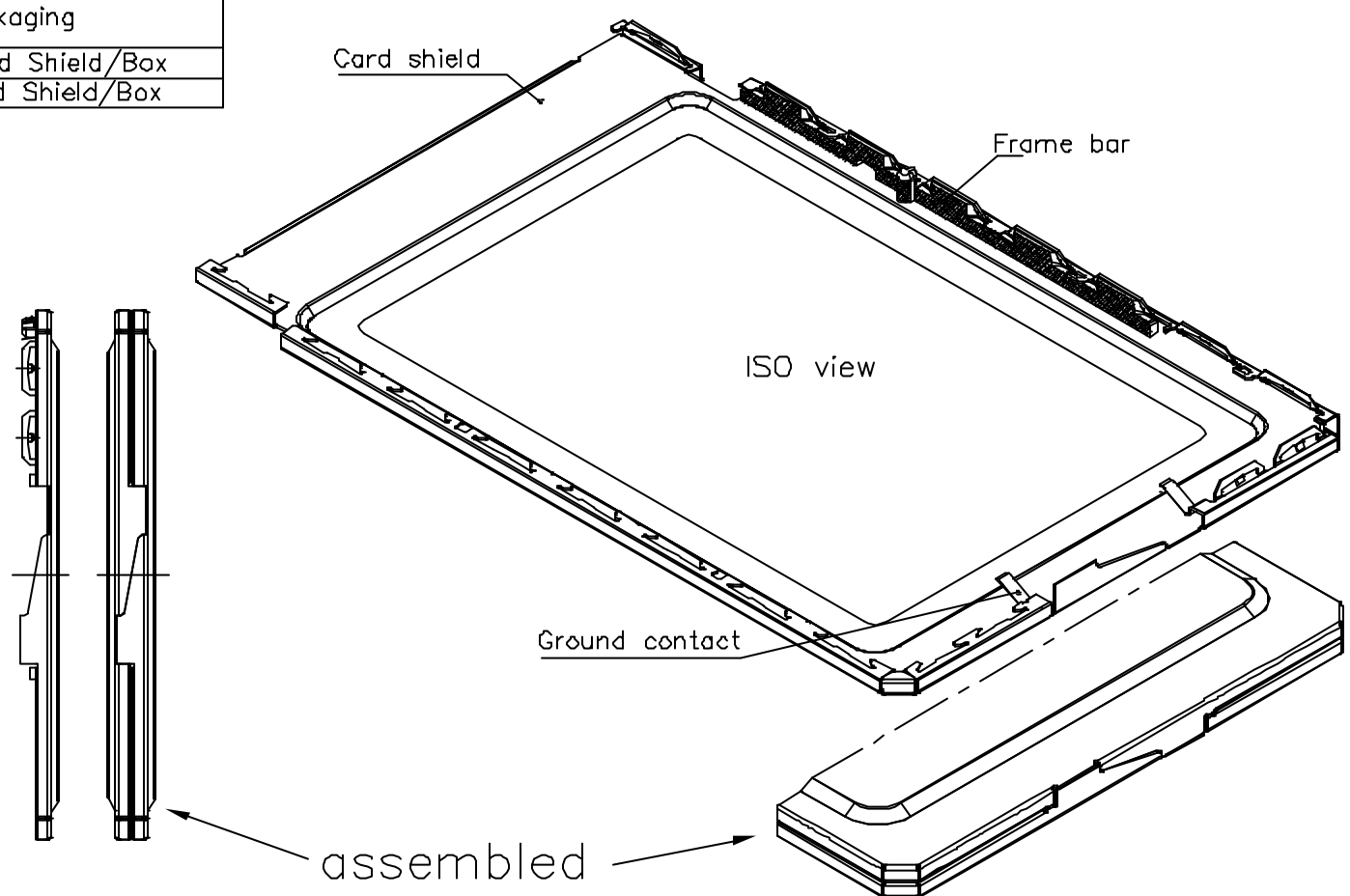
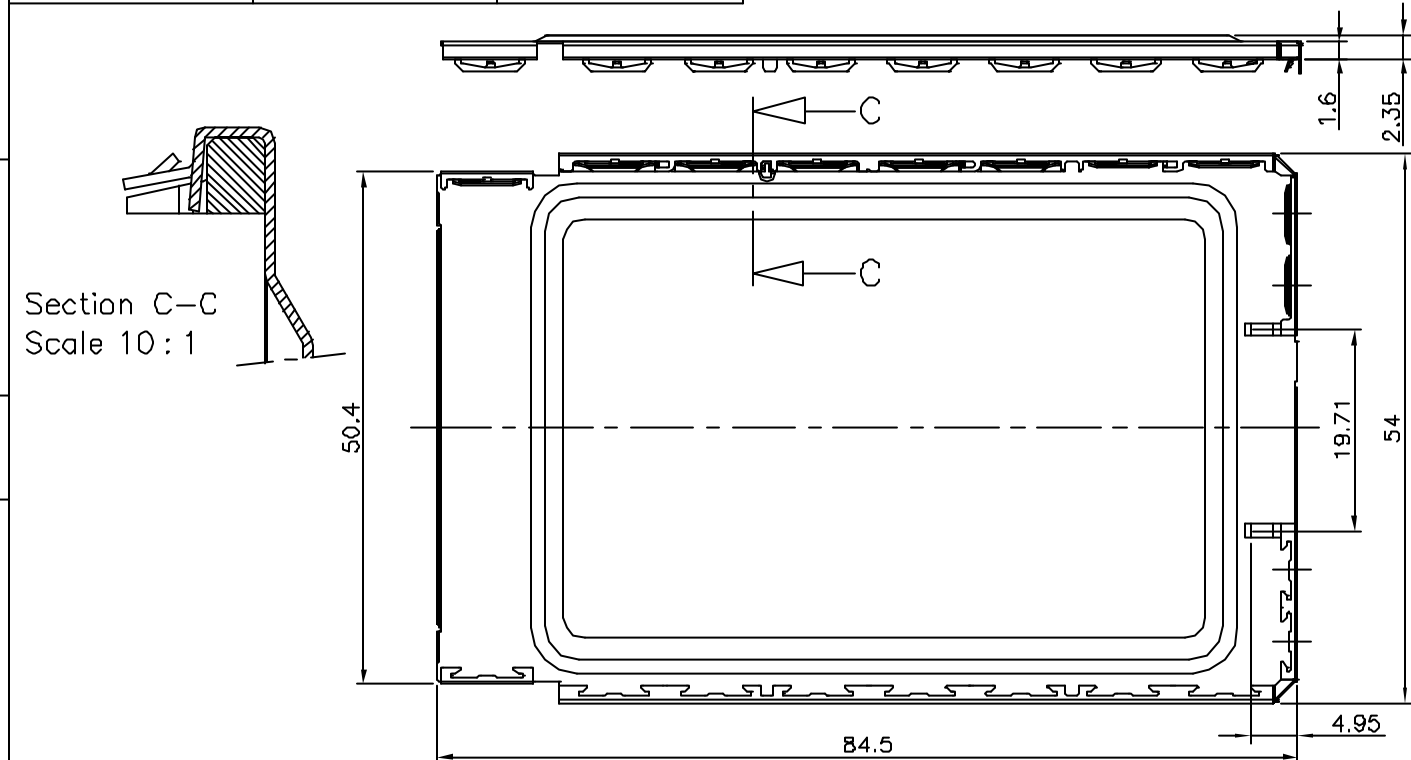


Version: Insulator  
(thickness 0.07 mm)

lfr	ecr	no	dr	date	surface	tolerance	projection	product family
A	H80049	GCA	98.02.12		ISO 1302	ISO 416 ISO 1101	mm	PCMCIA
B	F80195	GCA	98.04.08		tolerance unless otherwise specified			title
C	F80323	DLE	99.05.04		angles	linear	scale 2:1	ROCARD SHIELD TYPE II, 2x1/0
D	F10514	DLE	01.08.07	dr	H VEREUKEN	98.02.12		sheet 3 of -
E	F05-0254	DLE	05.09.26	enfr	F HAUTIER	99.05.04		83808
F	F08-0138	DLE	06.02.27	chr	D LEGRAND	99.05.04		Az
G	F06-0248	DLE	06.07.28	app	F HAUTIER	99.05.04		type
sheet	revision							CUSTOMER Drawing
index	sheet							

Product number	Insulator	Label recess
83808-2000OLF	no	no
83808-2001OLF	yes	no
83808-2010OLF	no	yes
83808-2011OLF	yes	yes

Product number	Packaging
83808-xxxxxLF	1000 Rocard Shield/Box
83808-xxxxxSLF	200 Rocard Shield/Box

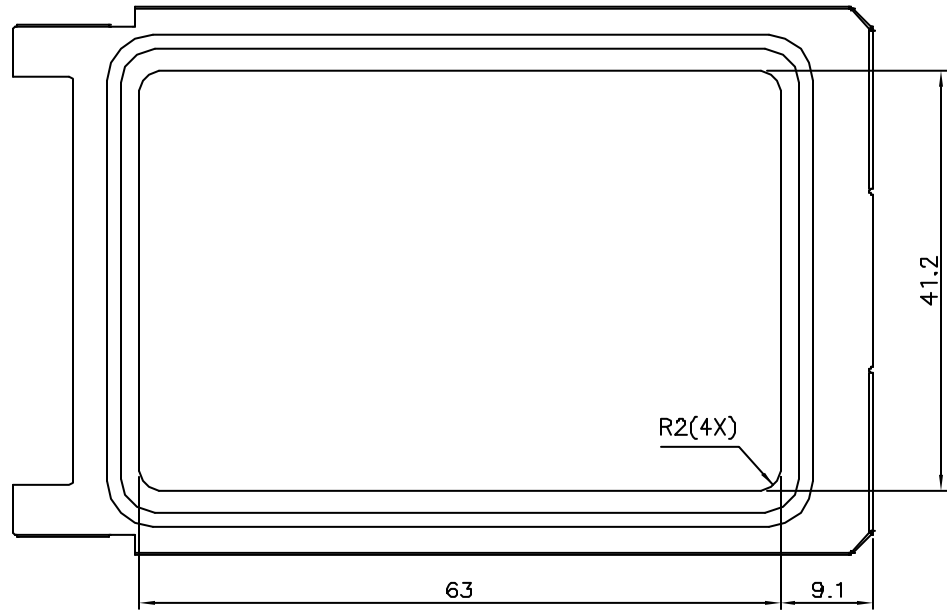
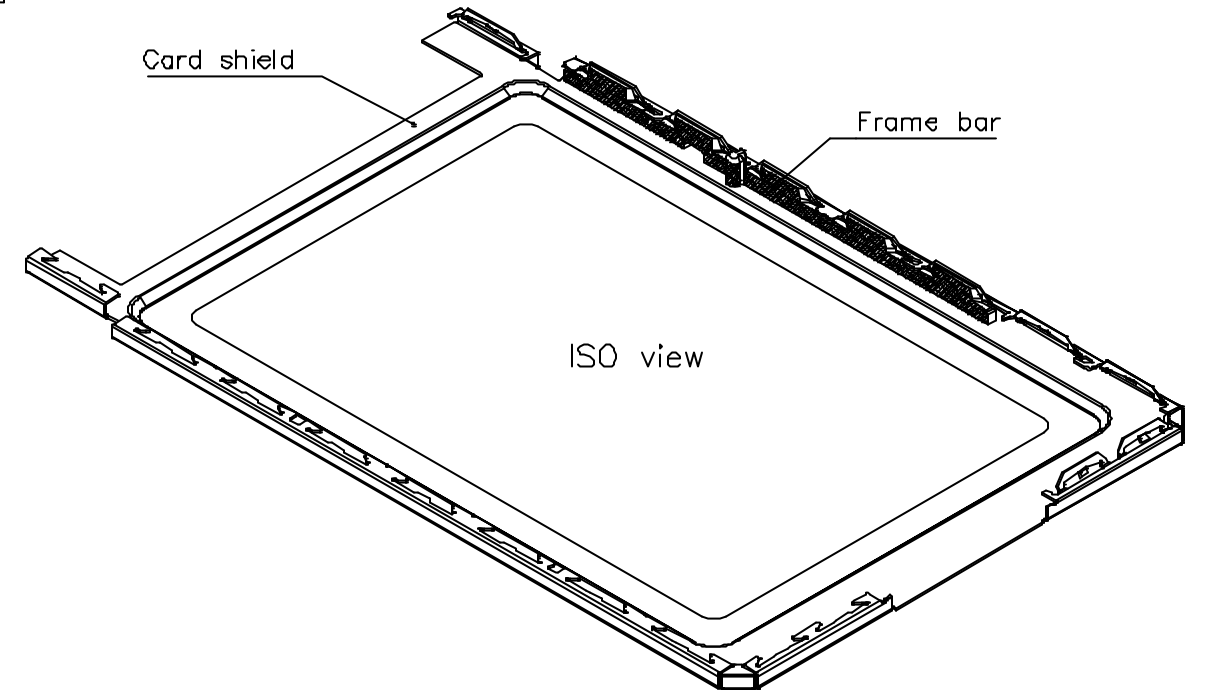
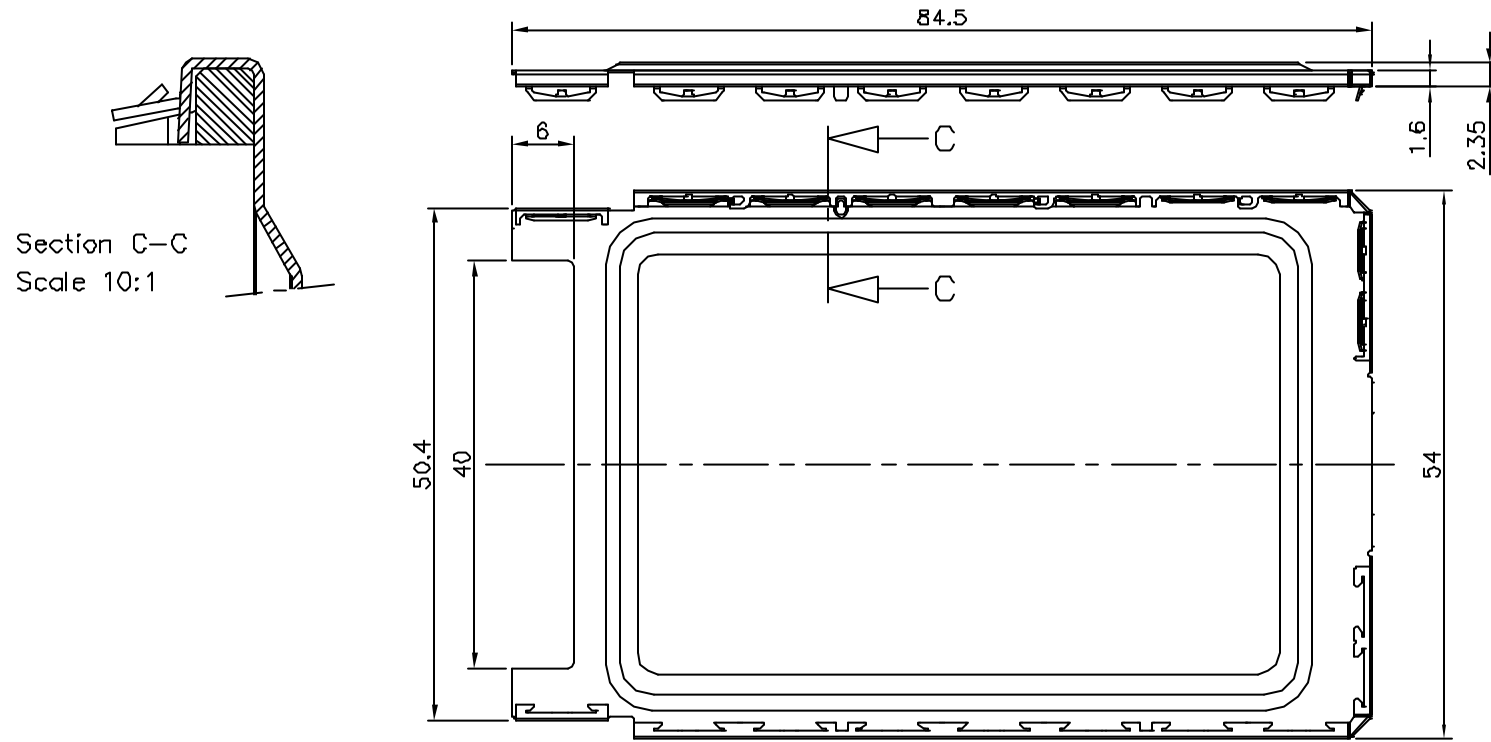


lfr	ecr	no	dr	date	mat'l code	surface	tolerance	projection	product family
A	H80049	GCA		98.02.12		ISO 1302	ISO 416 ISO 1101	mm	PCMCIA
B	F80195	GCA		98.04.08		tolerance unless otherwise specified			title
C	F80323	DLE		99.05.04		angles	linear	scale 2:1	ROCARD SHIELD
D	F10514	DLE	01.08.07	dr	H VEREUKEN				TYPE II, CLOSED END
E	F05-0254	DLE	05.09.26	enfr	F HAUTIER				sheet 4 of - size
F	F08-0138	DLE	06.02.27	chr	D LEGRAND				83808
G	F05-0248	DLE	06.07.28	app	F HAUTIER				Az
sheet	revision								type
index	sheet								CUSTOMER Drawing

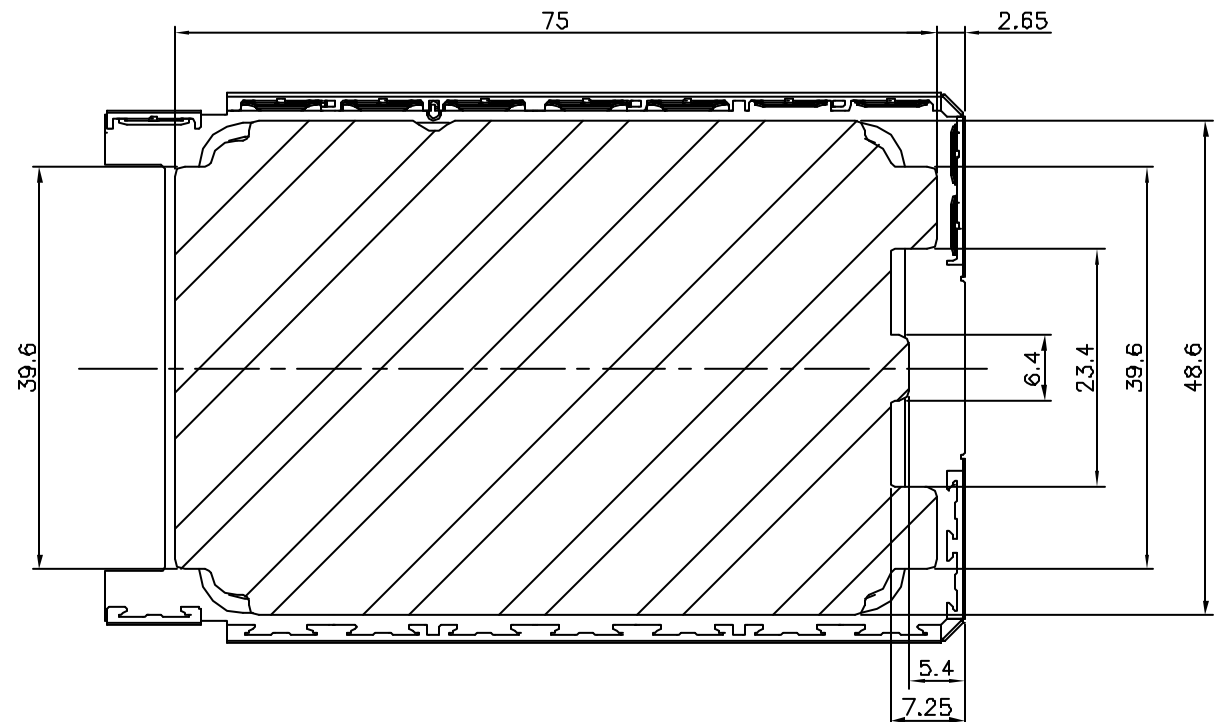
Copyright FCI  
FCIconnect.com

Product number	Insulator	Label recess
83808-21001LF	no	no
83808-21011LF	yes	no
83808-21101LF	no	yes
83808-21111LF	yes	yes

Product number	Packaging
83808-xxxxxLF	1000 Rocard Shield/Box
83808-xxxxxSLF	200 Rocard Shield/Box



Version: Label recess  
(maximum label thickness 0.07 mm)

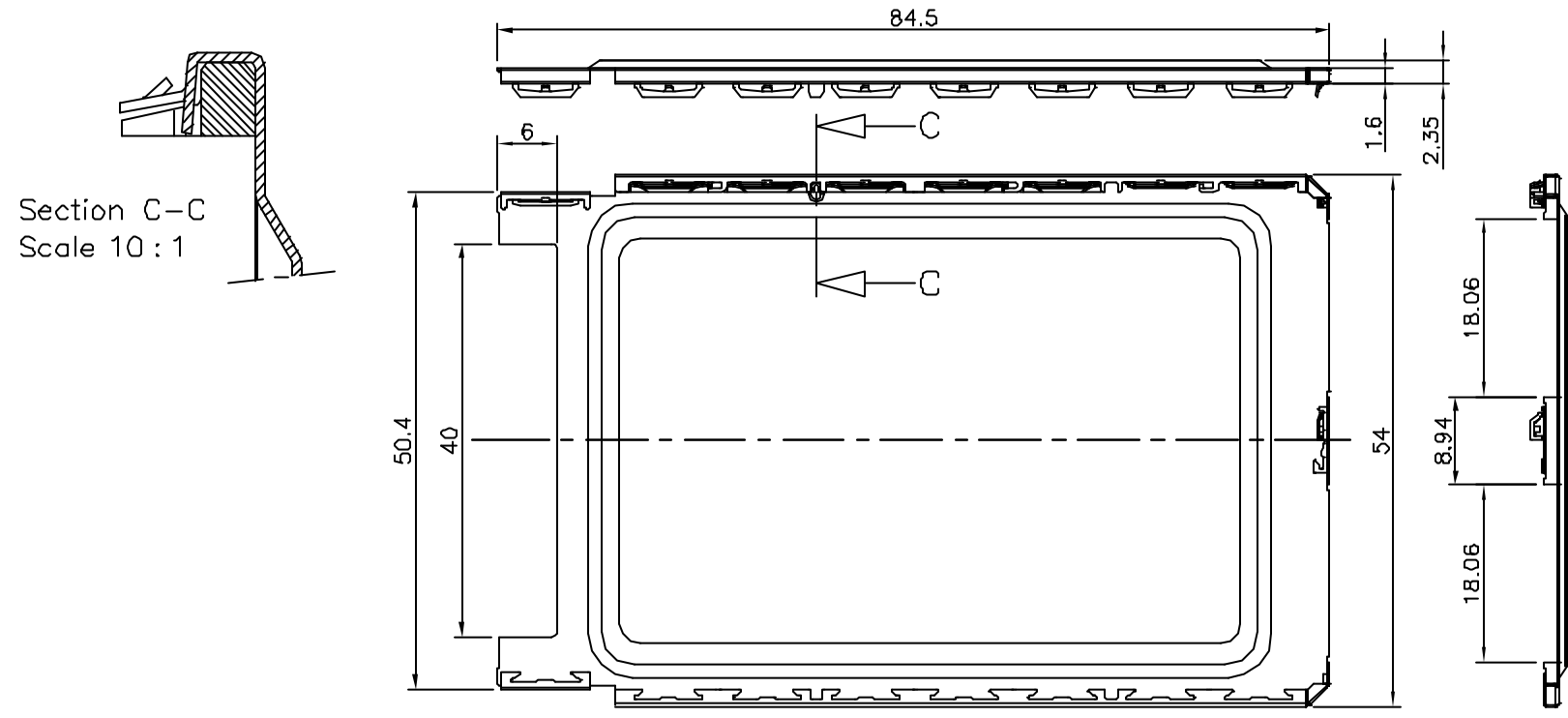


Version: Insulator  
(thickness 0.07 mm)

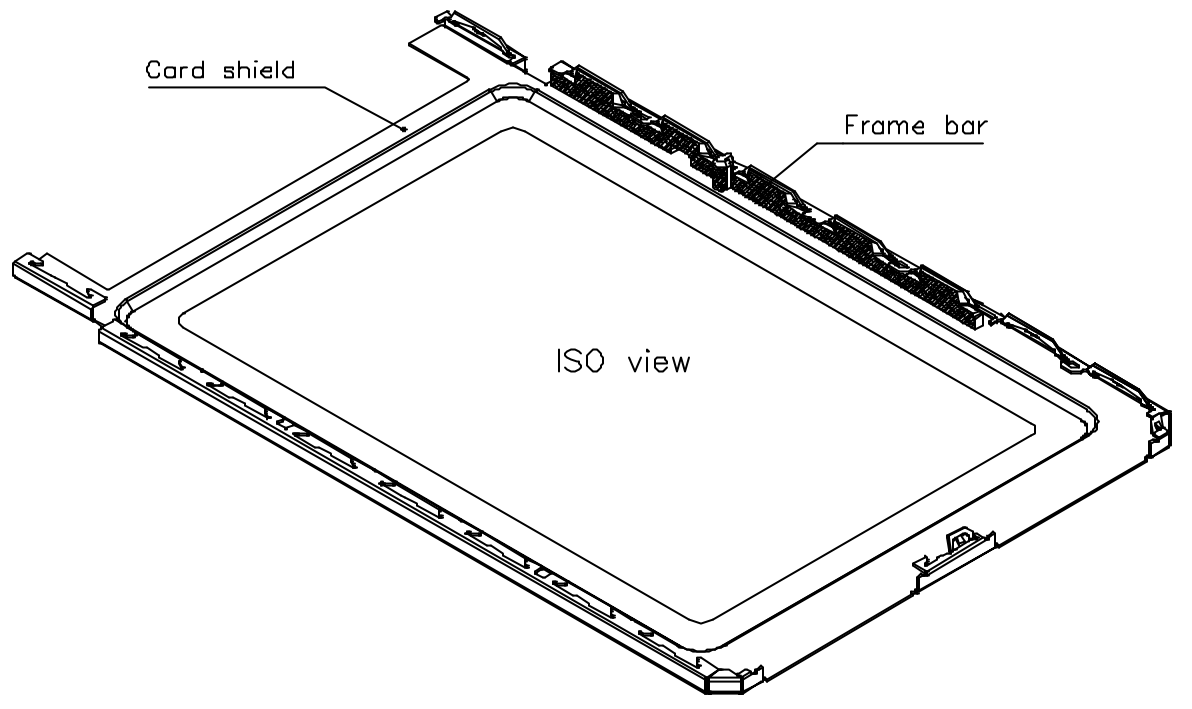
lfr	ecr	no	dr	date	surface	tolerance	projection	product family
A	H80048	GCA	98.02.12		ISO 1302	ISO 416 ISO 1101	mm	PCMCIA
B	F80195	GCA	98.04.08		tolerances unless otherwise specified			title
C	F90323	DLE	99.05.04		angles	linear	scale 2:1	ROCARD SHIELD TYPEII, 1x1/0, CARDBUS
D	F10514	DLE	01.08.07	dr	H VEREUKEN	98.02.12		sheet 5 of -
E	F05-0254	DLE	05.09.26	enfr	F HAUTIER	99.05.04		83808
F	F08-0138	DLE	06.02.27	chr	D LEGRAND	99.05.04		Az
G	F06-0248	DLE	06.07.28	app	F HAUTIER	99.05.04		type
sheet index	revision	sheet						CUSTOMER Drawing

Product number	Insulator	Label recess
83808-22001LF	no	no
83808-22011LF	yes	no
83808-22101LF	no	yes
83808-22111LF	yes	yes

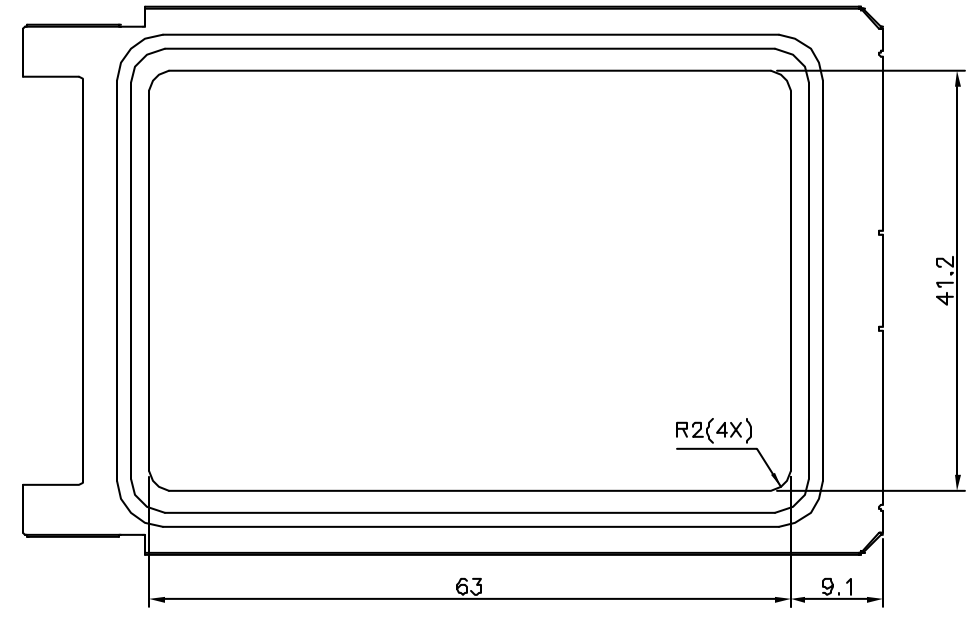
Product number	Packaging
83808-xxxxxLF	1000 Rocard Shield/Box
83808-xxxxxSLF	200 Rocard Shield/Box



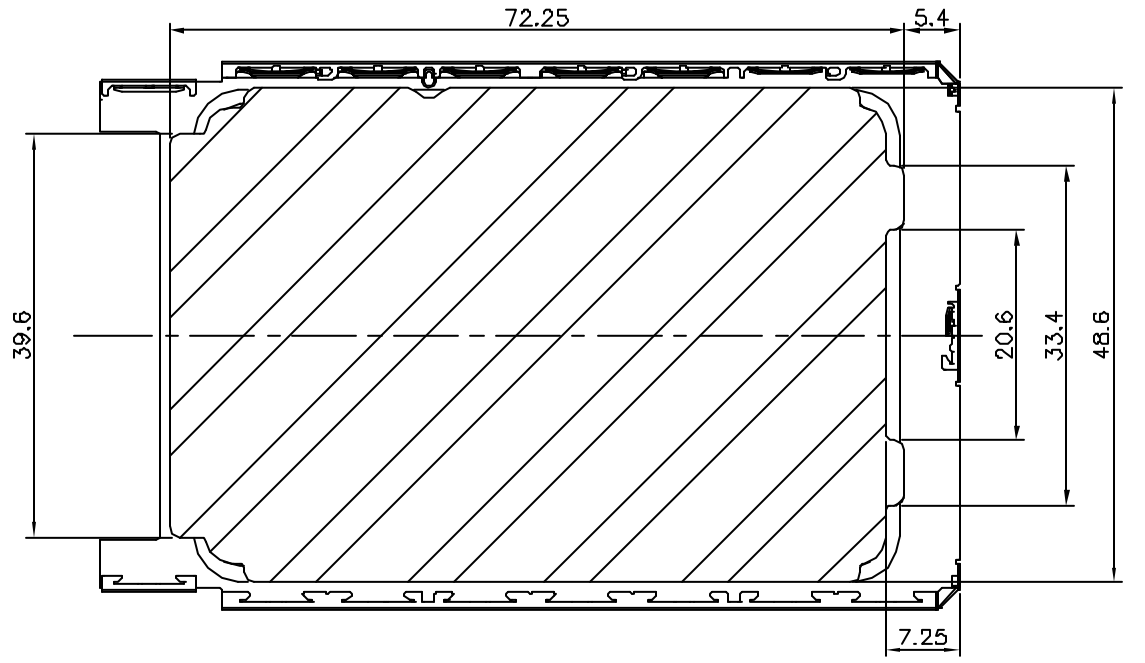
Section C-C  
Scale 10:1



Copyright FCI



Version: Label recess  
(maximum label thickness 0.07 mm)

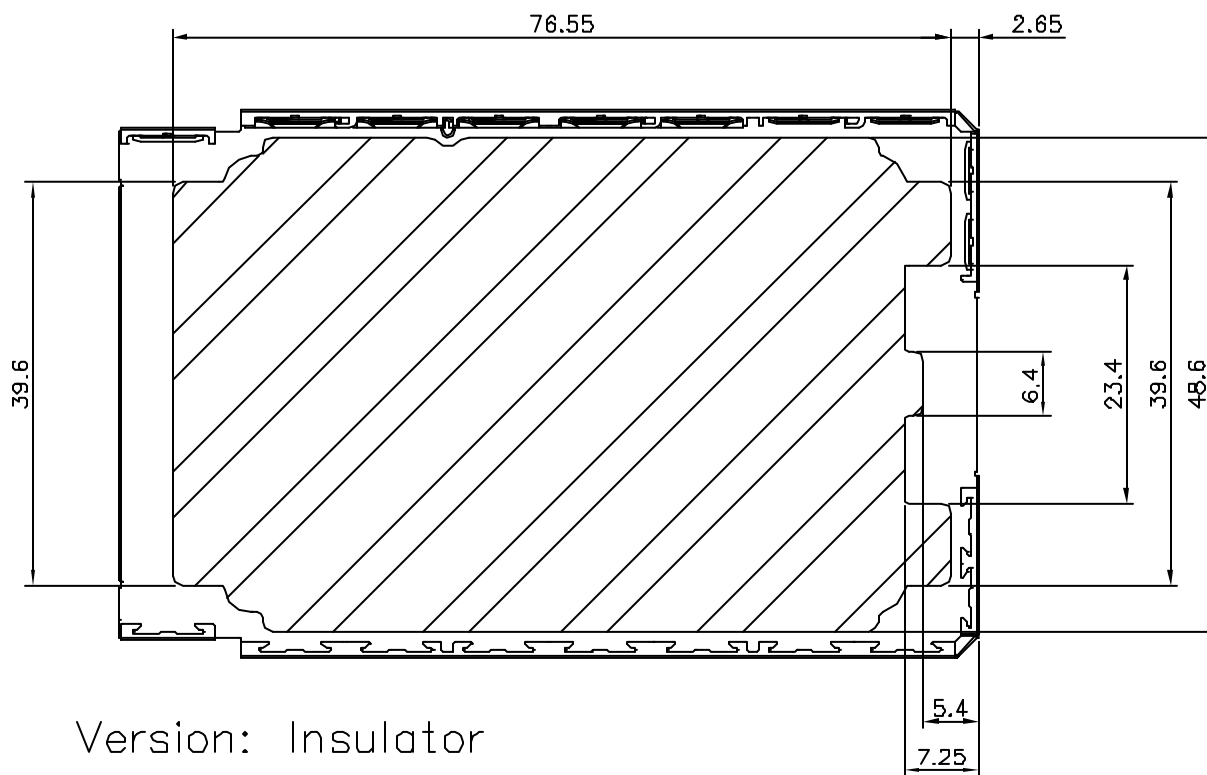
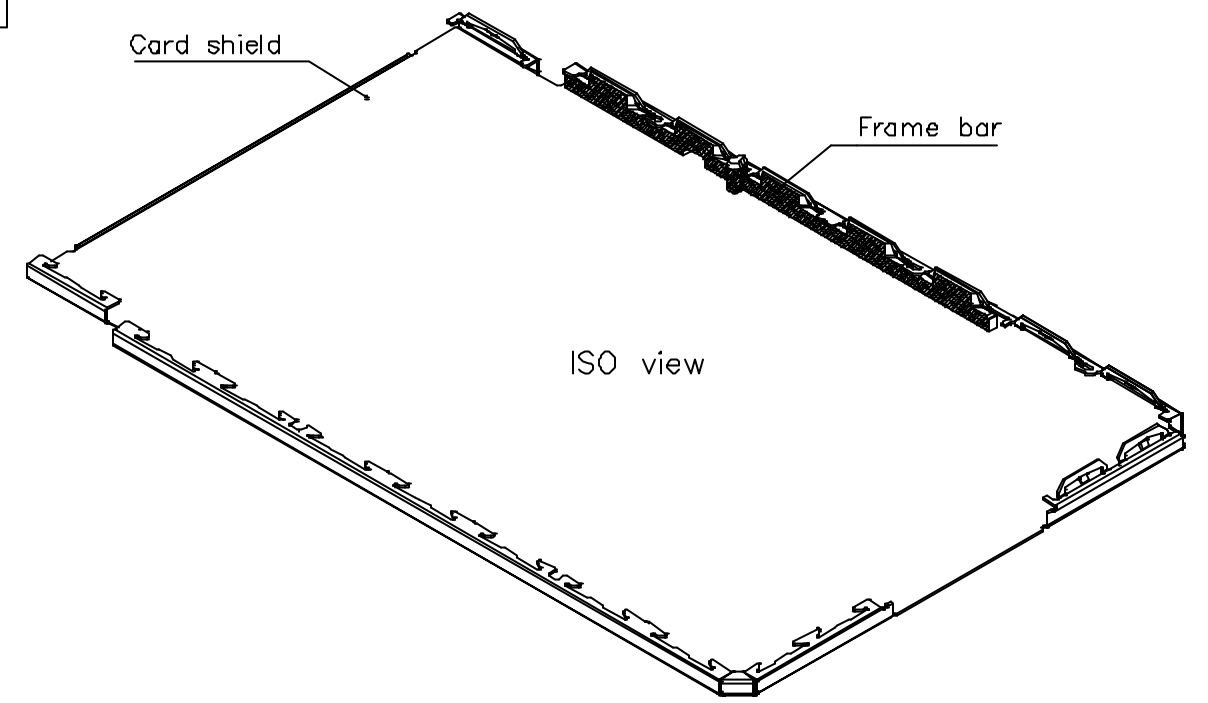
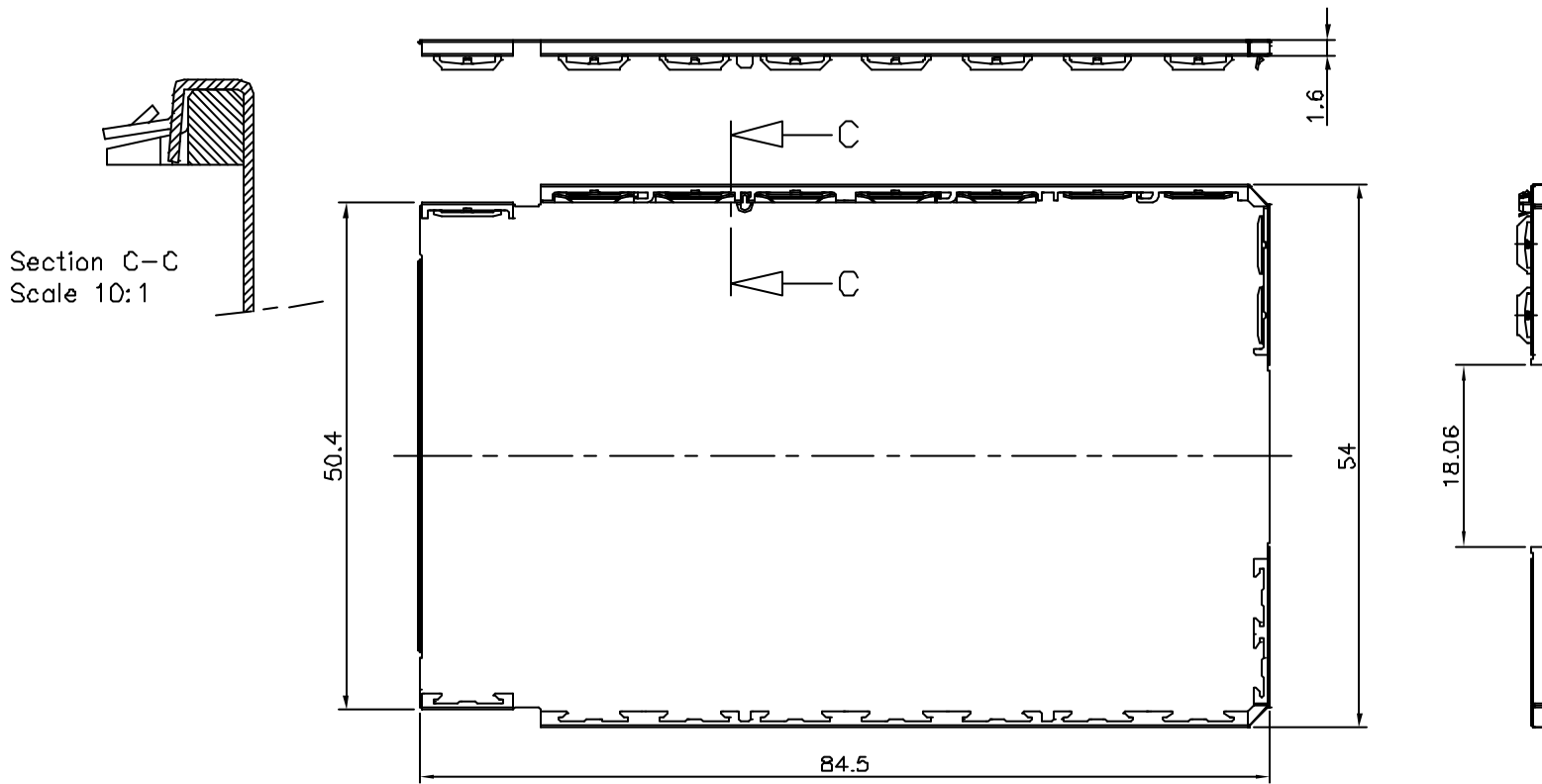


Version: Insulator  
(thickness 0.07 mm)

lfr	ecr	no	dr	date	surface	tolerance	projection	product family
A	H80049	GCA		98.02.12	ISO 1302	ISO 416 ISO 1101	mm	PCMCIA
B	F80195	GCA		98.04.08	tolerance unless otherwise specified		mm	title
C	F80323	DLE		99.05.04	angles	linear	scale 2:1	ROCARD SHIELD
D	F10514	DLE	01.08.07	dr	H VEREUKEN	98.02.12		TYPE II,2xI/O,CARBUS
E	F05-0254	DLE	05.09.26	enfr	F HAUTIER	99.05.04		sheet B of -
F	F08-0138	DLE	06.02.27	chr	D LEGRAND	99.05.04		83808
G	F06-0248	DLE	06.07.28	app	F HAUTIER	99.05.04		Az
sheet	revision							type
index	sheet							CUSTOMER Drawing

Product number	Insulator
83808-11000LF	no
83808-11010LF	yes

Product number	Packaging
83808-xxxxxLF	1000 Rocard Shield/Box
83808-xxxxxSLF	200 Rocard Shield/Box



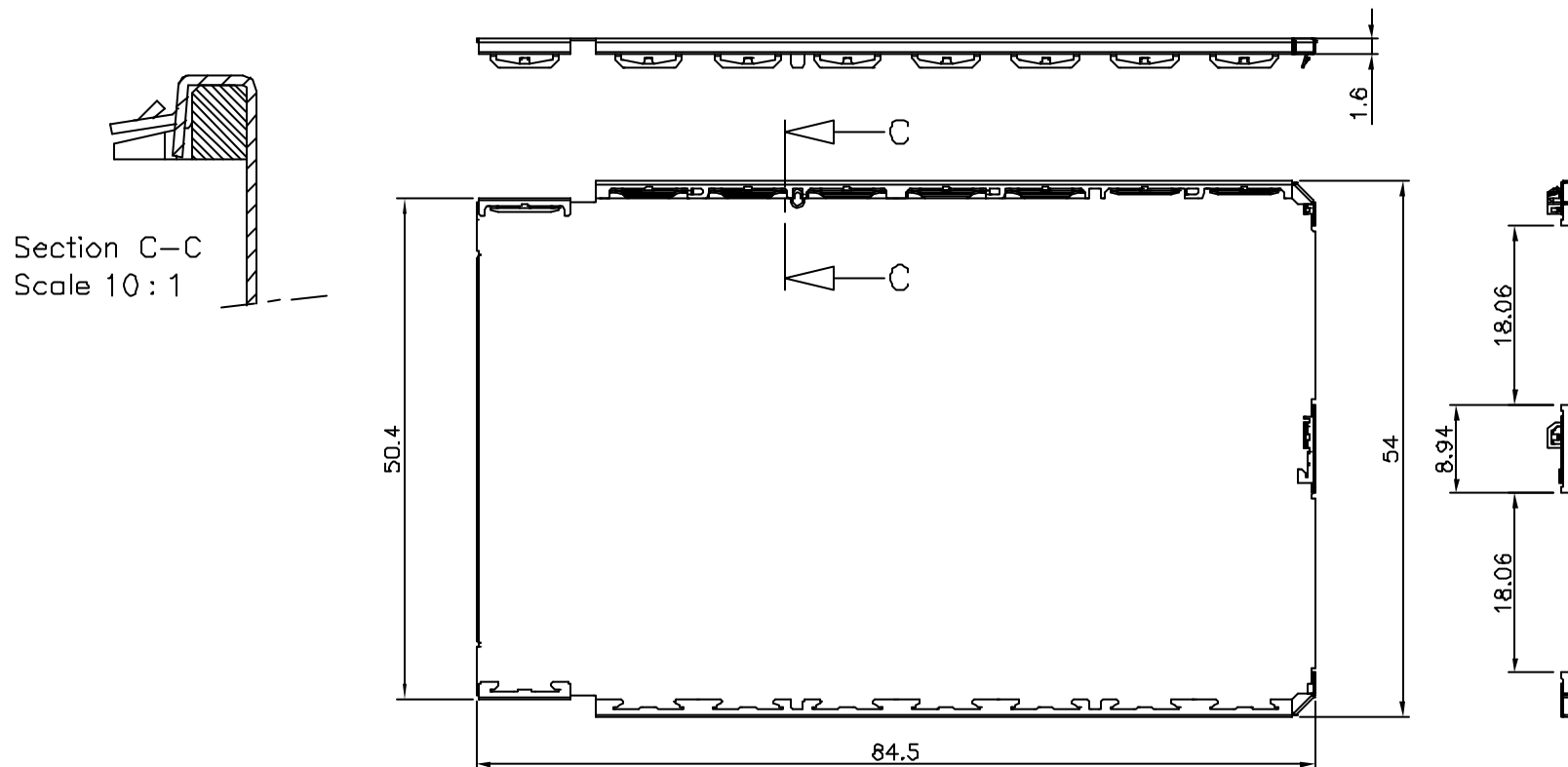
Version: Insulator  
(thickness 0.07 mm)

mat'l. code		surface		tolerance		projection		product family	
		ISO 1302		ISO 416 ISO 1101		ISO 1001		PCMCIA	
lfr	ecr	no	dr	date	tolerance unless otherwise specified				
A	F80195	GCA		98.04.08	angles linear				
B	F90323	DLE		99.05.04	mm				
C	F10514	DLE		01.09.07	scale 2:1				
D	F05-0254	DLE		05.08.28	dr	H VEREUKEN	98.02.12	title	
E	F08-0138	DLE		06.02.27	enfr	F HAUTIER	99.05.04	ROCARD SHIELD	
F	F08-0248	DLE		06.07.28	chr	D LEGRAND	99.05.04	TYPE I, 1x1/0	
sheet		revision		app		F HAUTIER		type	
index		sheet						CUSTOMER Drawing	
								sheet 7 of -	
								83808	
								Az	

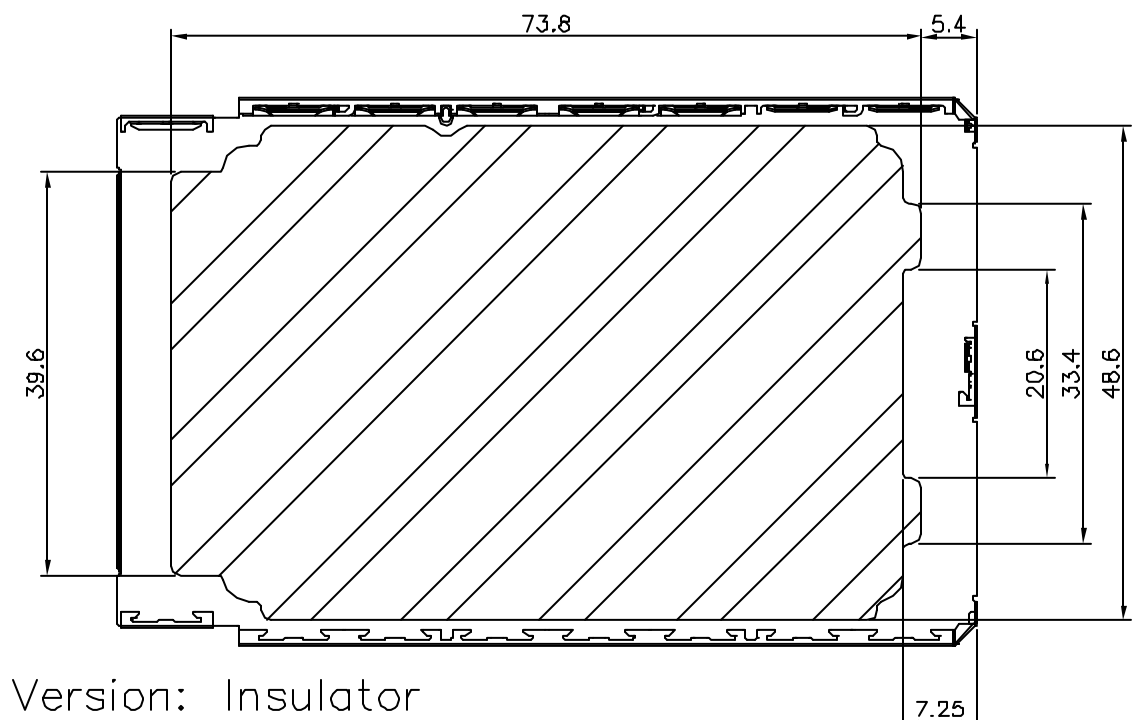
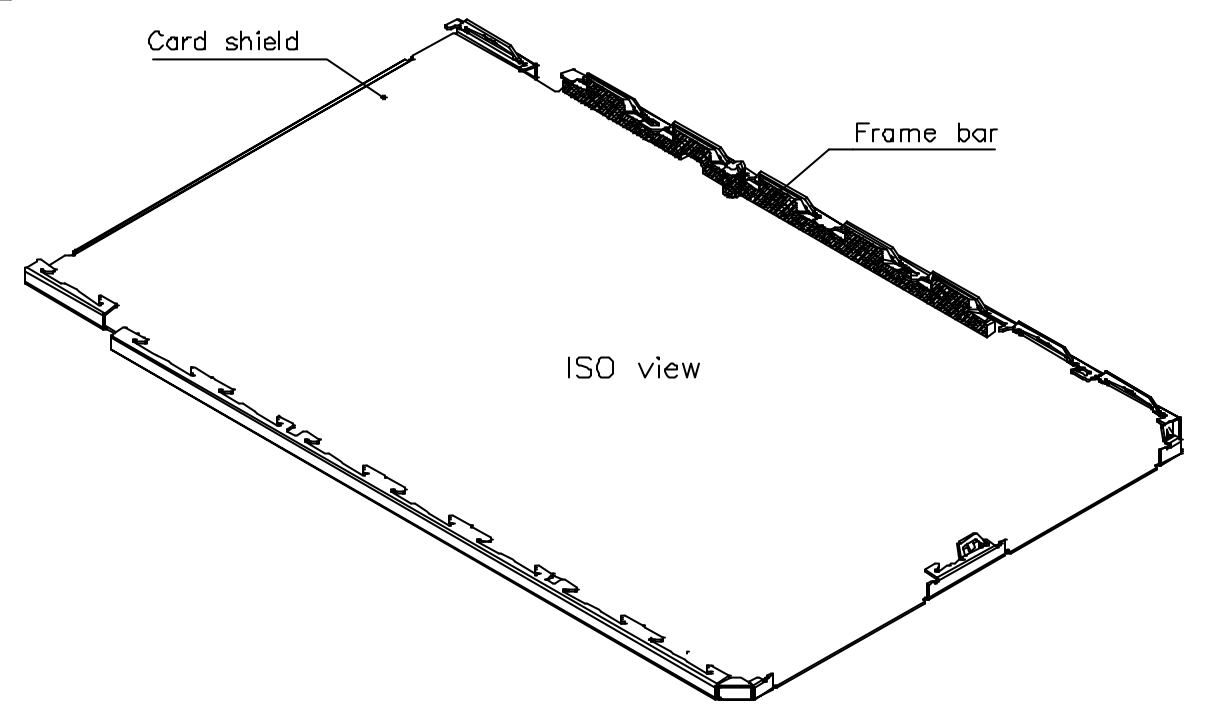


Product number	Insulator
83808-12000LF	no
83808-12010LF	yes

Product number	Packaging
83808-xxxxxLF	1000 Rocard Shield/Box
83808-xxxxxLFS	200 Rocard Shield/Box



Section C-C  
Scale 10:1

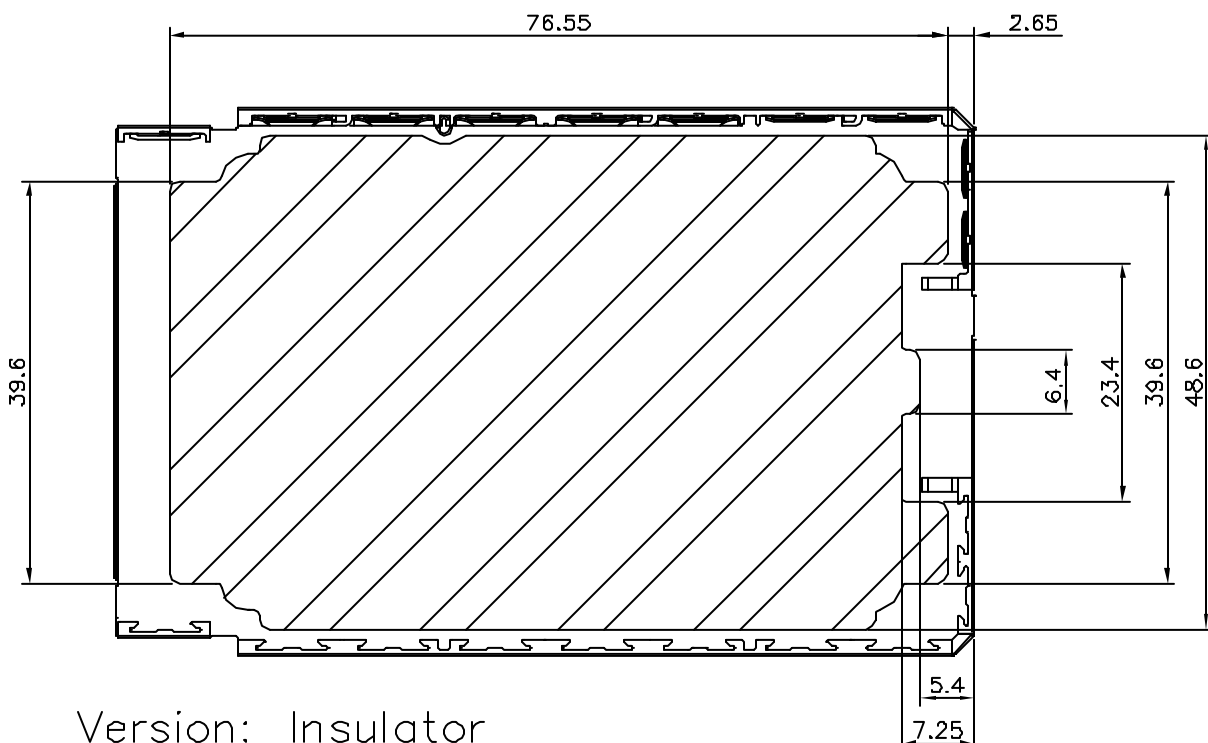
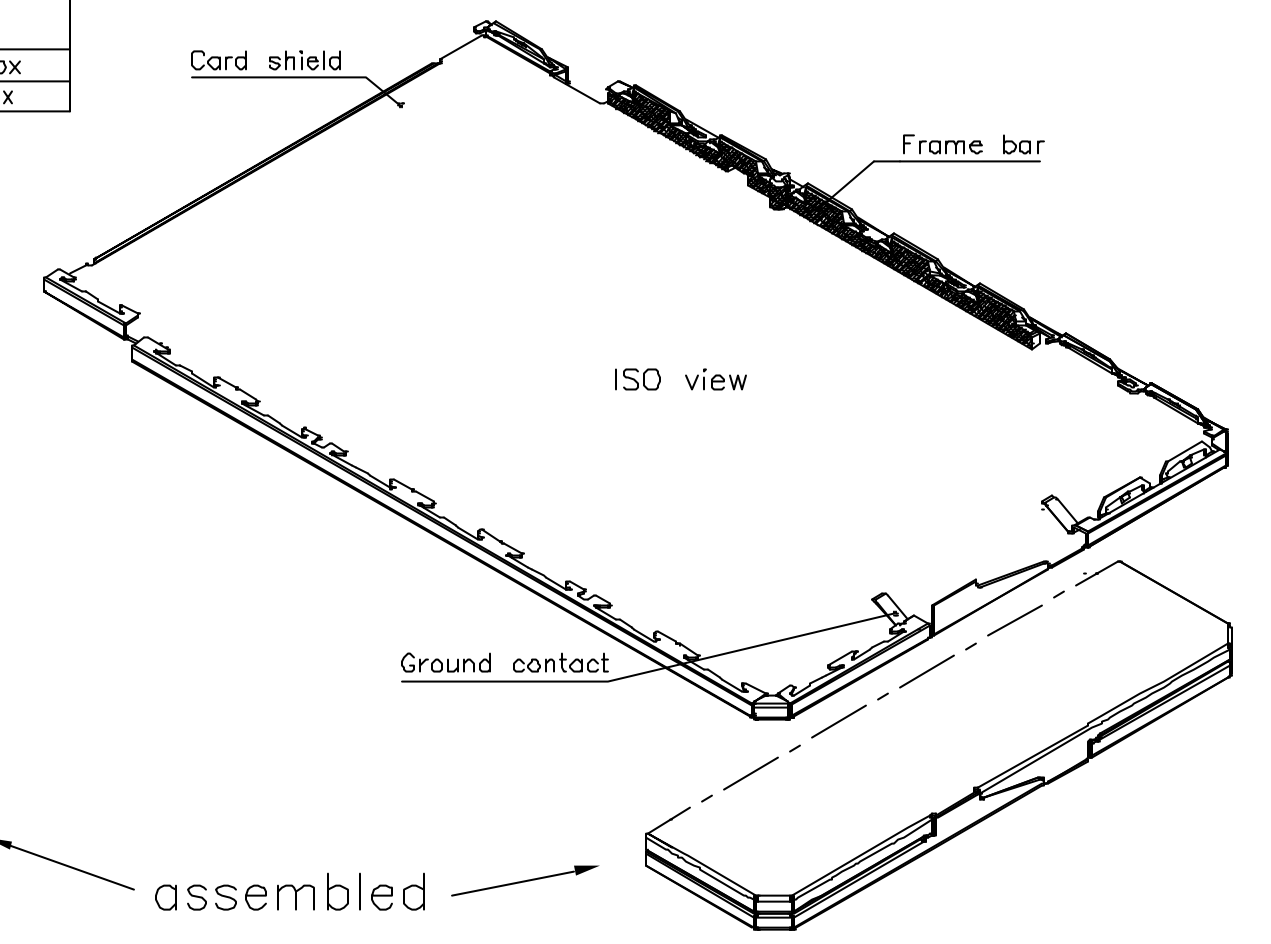
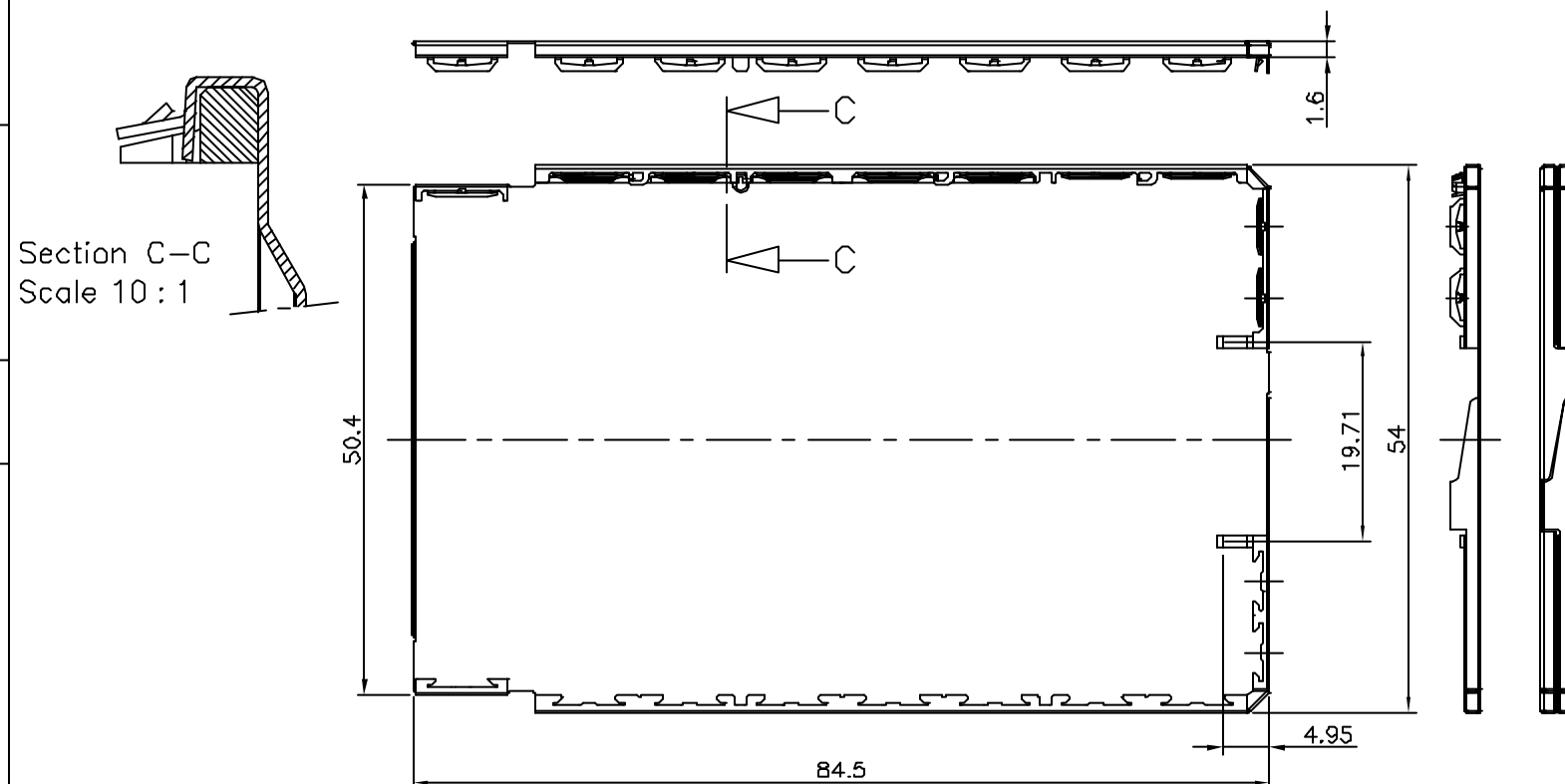


Version: Insulator  
(thickness 0.07 mm)

mat'l. code	surface	tolerance	projection	product family
	ISO 1302	ISO 416 ISO 1101		PCMCIA
lfr ecn no dr date	tolerance unless otherwise specified		mm	title
A F80195 GCA 98.04.08	angles	linear	scale 2:1	ROCARD SHIELD TYPE I, 2x1/0
B F90323 DLE 99.05.04				dwg no sheet 8 of - size
C F10514 DLE 01.09.07				83808 Az
D F05-0254 DLE 05.08.28 dr H VEREUKEN 98.02.12				type CUSTOMER Drawing
E F08-0138 DLE 06.02.27 engr F HAUTIER 99.05.04				
F F08-0248 DLE 06.07.28 chr D LEGRAND 99.05.04				
sheet index	revision sheet			

Product number	Insulator
83808-10000LF	no
83808-10010LF	yes

Product number	Packaging
83808-xxxxxLF	1000 Rocard Shield/Box
83808-xxxxxSLF	200 Rocard Shield/Box

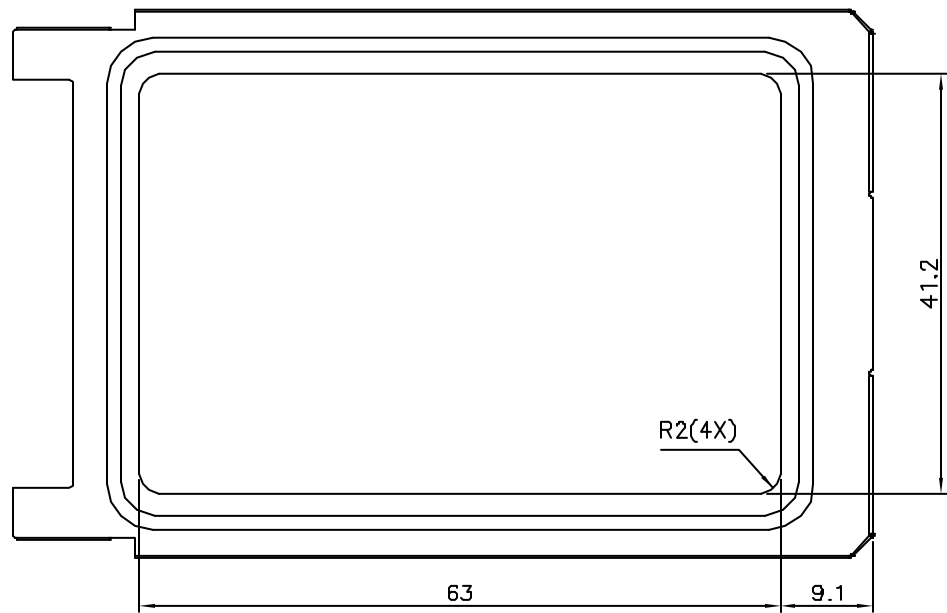
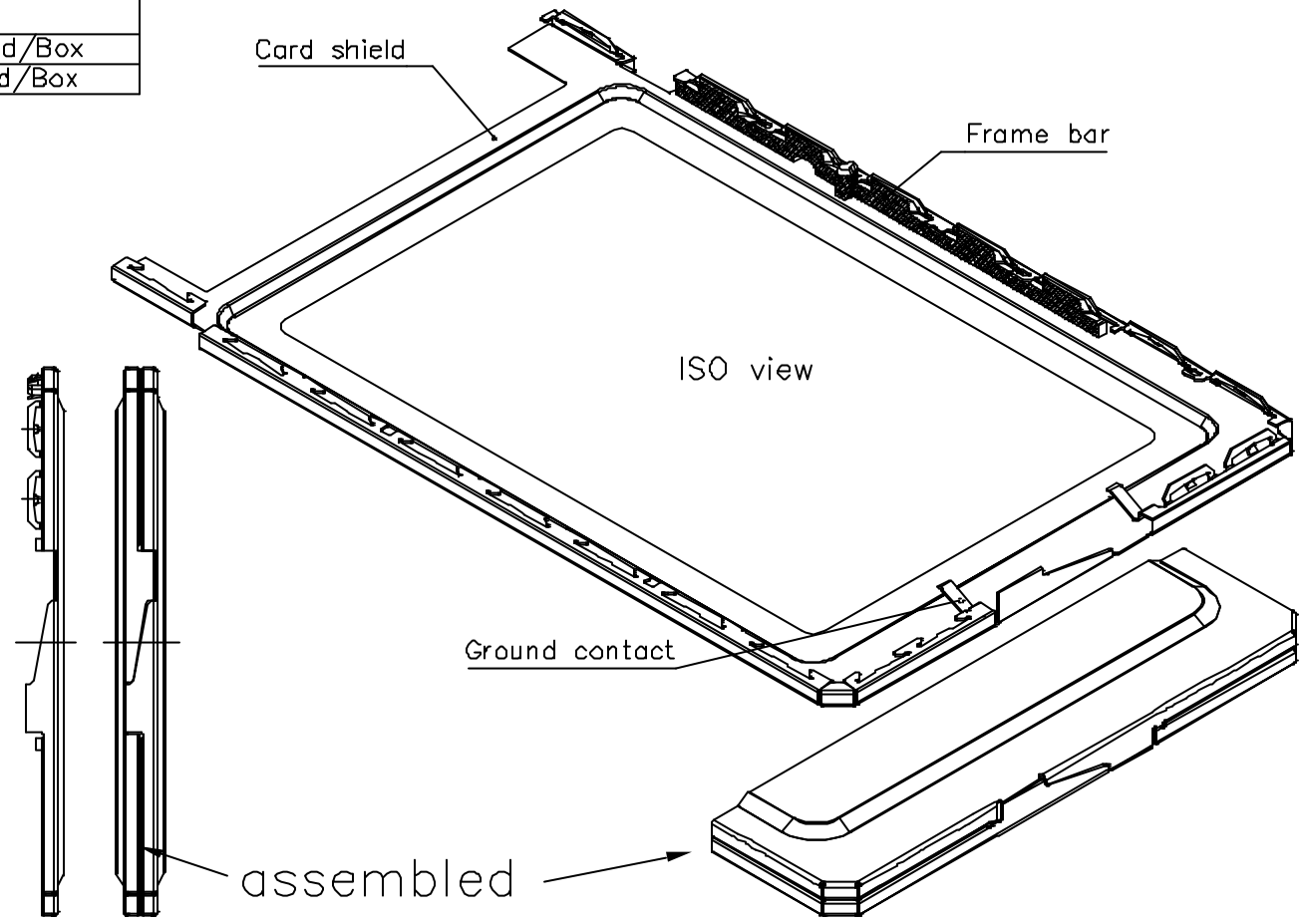
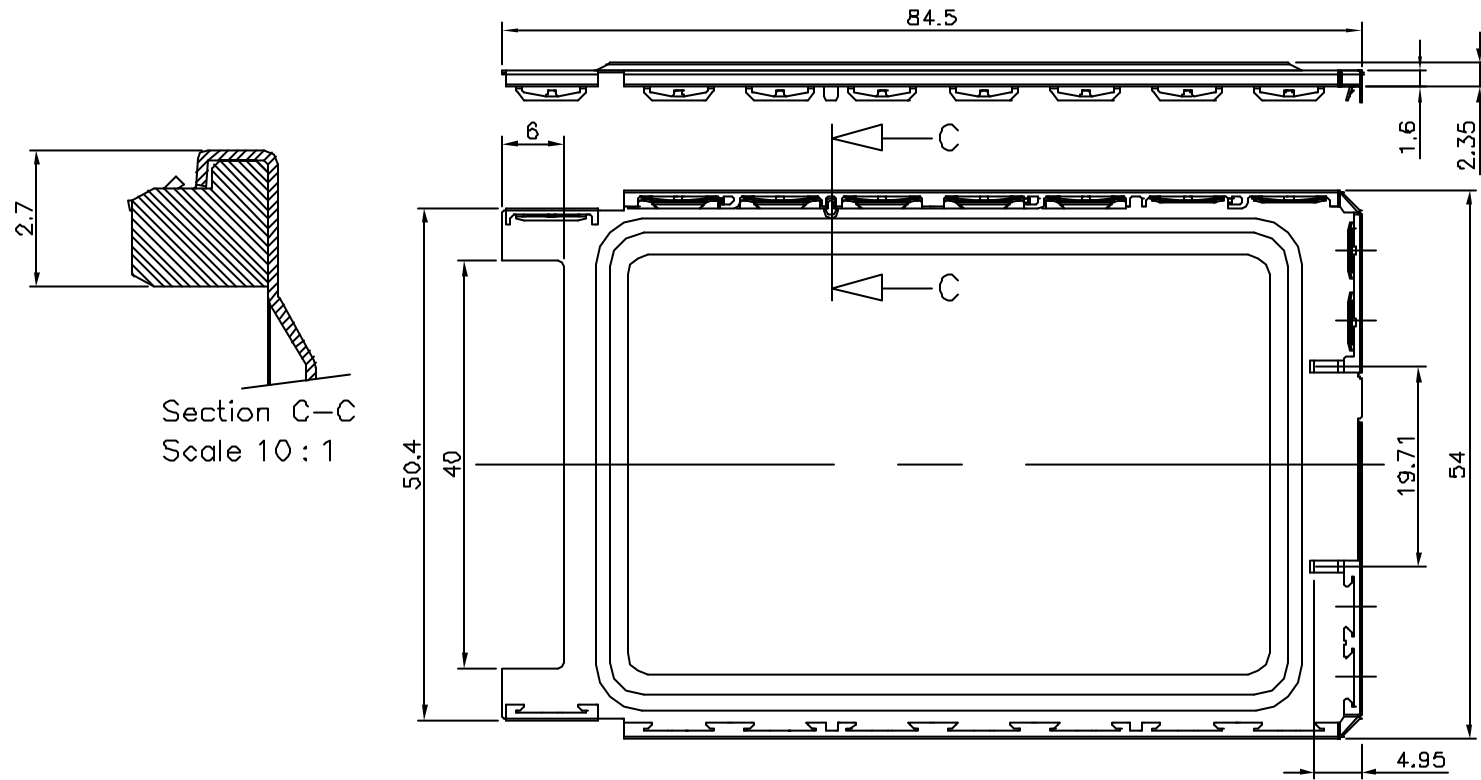


Version: Insulator  
(thickness 0.07 mm)

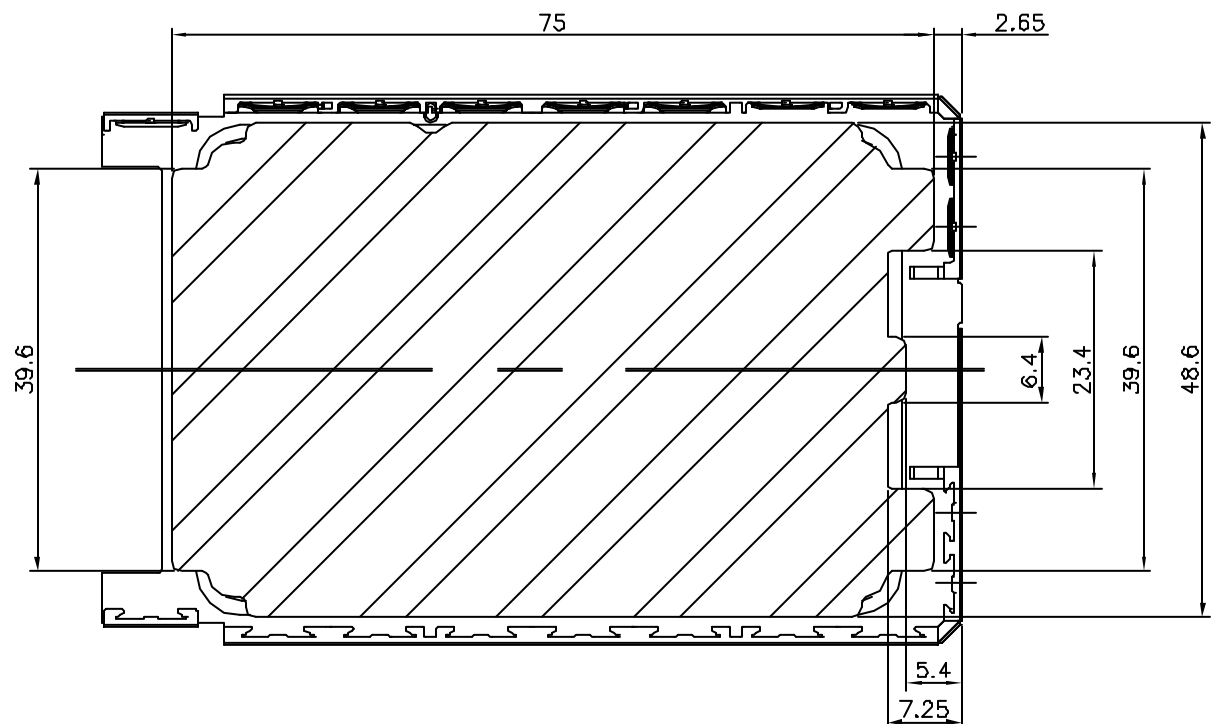
lfr	ecr	no	dr	date	tolerance	ISO 1302	ISO 416	ISO 1101	projection	product family
A	F80195	GCA	98.04.08		tolerance unless otherwise specified					PCMCIA
B	F90323	DLE	99.05.04		angles	linear			mm	title
C	F10514	DLE	01.09.07						scale 2:1	ROCARD SHIELD TYPE I, CLOSED END
D	F05-0254	DLE	05.08.28	dr	H VEREUKEN	98.02.12				sheet 9 of -
E	F08-0138	DLE	06.02.27	enfr	F HAUTIER	99.05.04				83808
F	F08-0248	DLE	06.07.28	chr	D LEGRAND	99.05.04				Az
					app	F HAUTIER	99.05.04			type
sheet index	revision sheet									CUSTOMER Drawing

Product number	Insulator	Label recess
83808-20001LF	no	no
83808-20011LF	yes	no
83808-20101LF	no	yes
83808-20111LF	yes	yes

Product number	Packaging
83808-xxxxxLF	1000 Rocard Shield/Box
83808-xxxxxSLF	200 Rocard Shield/Box



Version: Label recess  
(maximum label thickness 0.07 mm)



Version: Insulator  
(thickness 0.07 mm)

mat'l. code	surface	tolerance	projection	product family
lfr ecn no dr date	ISO 1302	ISO 416 ISO 1101	mm	PCMCIA
A F90655 DLE 99.10.25	tolerance unless otherwise specified		scale 2:1	title
B F00106 LMU 00.01.19	angles	linear		ROCARD SHIELD
C F10514 DLE 01.09.07				TYPE II, CLOSED, CARDBUS
D F05-0254 BLE 05.08.28 dr D LEGRAND 99.10.25				dwg no
E F08-0138 DLE 06.02.27 engr F HAUTIER 99.10.25				83808
F F08-0248 DLE 06.07.28 chr AESCHBACHER 99.10.25				sheet 10 of - size
	app F HAUTIER 99.10.25			A2
sheet index	revision sheet			type
				CUSTOMER Drawing