



Chipsmall Limited consists of a professional team with an average of over 10 year of expertise in the distribution of electronic components. Based in Hongkong, we have already established firm and mutual-benefit business relationships with customers from,Europe,America and south Asia,supplying obsolete and hard-to-find components to meet their specific needs.

With the principle of “Quality Parts,Customers Priority,Honest Operation,and Considerate Service”,our business mainly focus on the distribution of electronic components. Line cards we deal with include Microchip,ALPS,ROHM,Xilinx,Pulse,ON,Everlight and Freescale. Main products comprise IC,Modules,Potentiometer,IC Socket,Relay,Connector.Our parts cover such applications as commercial,industrial, and automotives areas.

We are looking forward to setting up business relationship with you and hope to provide you with the best service and solution. Let us make a better world for our industry!



Contact us

Tel: +86-755-8981 8866 Fax: +86-755-8427 6832

Email & Skype: info@chipsmall.com Web: www.chipsmall.com

Address: A1208, Overseas Decoration Building, #122 Zhenhua RD., Futian, Shenzhen, China



83818-20XXX-XXLF

CARD TYPE II : 2

OPEN END : 0

LABEL RECESS : 0 = NO
1 = YES (63 X 41.2)
2 = CUSTOMIZATION

INSULATOR : 0 = NO
1 = YES (STANDARD)
2 = CUSTOMIZATION

CARDBUS : 0 = NO
1 = YES

CUSTOMIZATION : BLANK = NO CUSTOMIZATION
01 = RICOLA BOTTOM CARDSHIELD
04 = RICOLA TOP CARDSHIELD

RoHS COMPLIANT SPECIFICATION (optional)

LF (blank)

83818-20XXX-XX IS SIMILAR TO 83818-20XXX-XXLF, THE SUFFIX "LF" IS ADDED FOR LEAD FREE IDENTIFICATION. THIS PRODUCT MEETS EUROPEAN UNION DIRECTIVES AND OTHER COUNTRY REGULATIONS AS PER GS-22-008. PACKAGING SPECIFICATION GS-14-920.

NOTES :

- 1- CARDSHIELD :
 - MATERIAL = STAINLESS STEEL
 - TEXTURE AND VISUAL QUALITY ACCORDING GS-12-022
 - THICKNESS 0.2
- 2- FRAME BAR :
 - MATERIAL = PPO BLACK UL94 V-0
- 3- INSULATOR :
 - MATERIAL : POLYESTER FOIL
 - DIELECTRIC STRENGTH = 2 500 V
 - TEMPERATURE RANGE : -40 °C TO +85 °C
- 4- PACKAGED IN THERMOFORMED TRAY ACCORDING GS-14-995
500 PCS PER CARTON BOX.

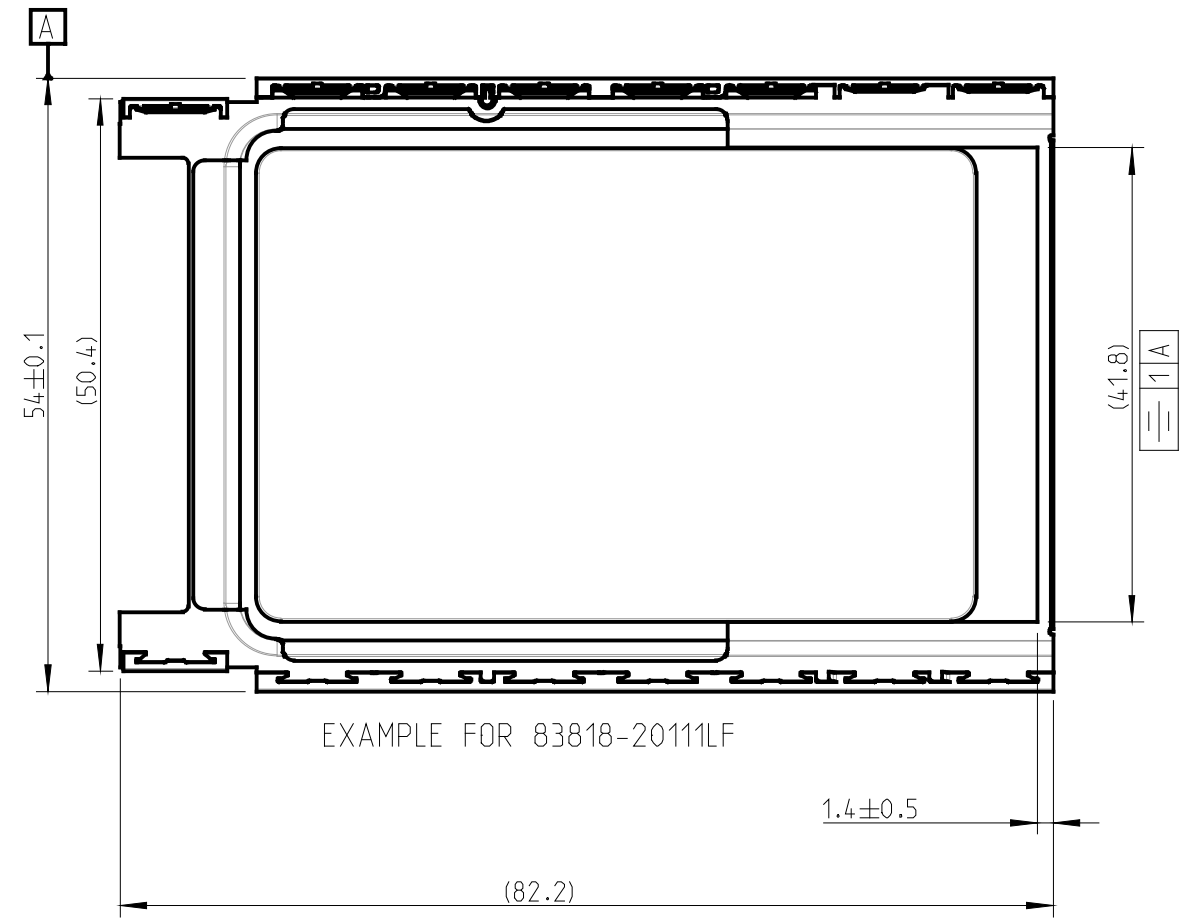
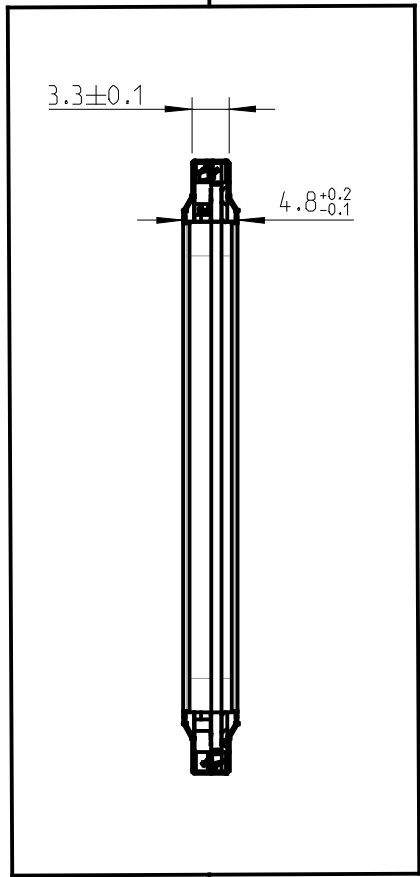
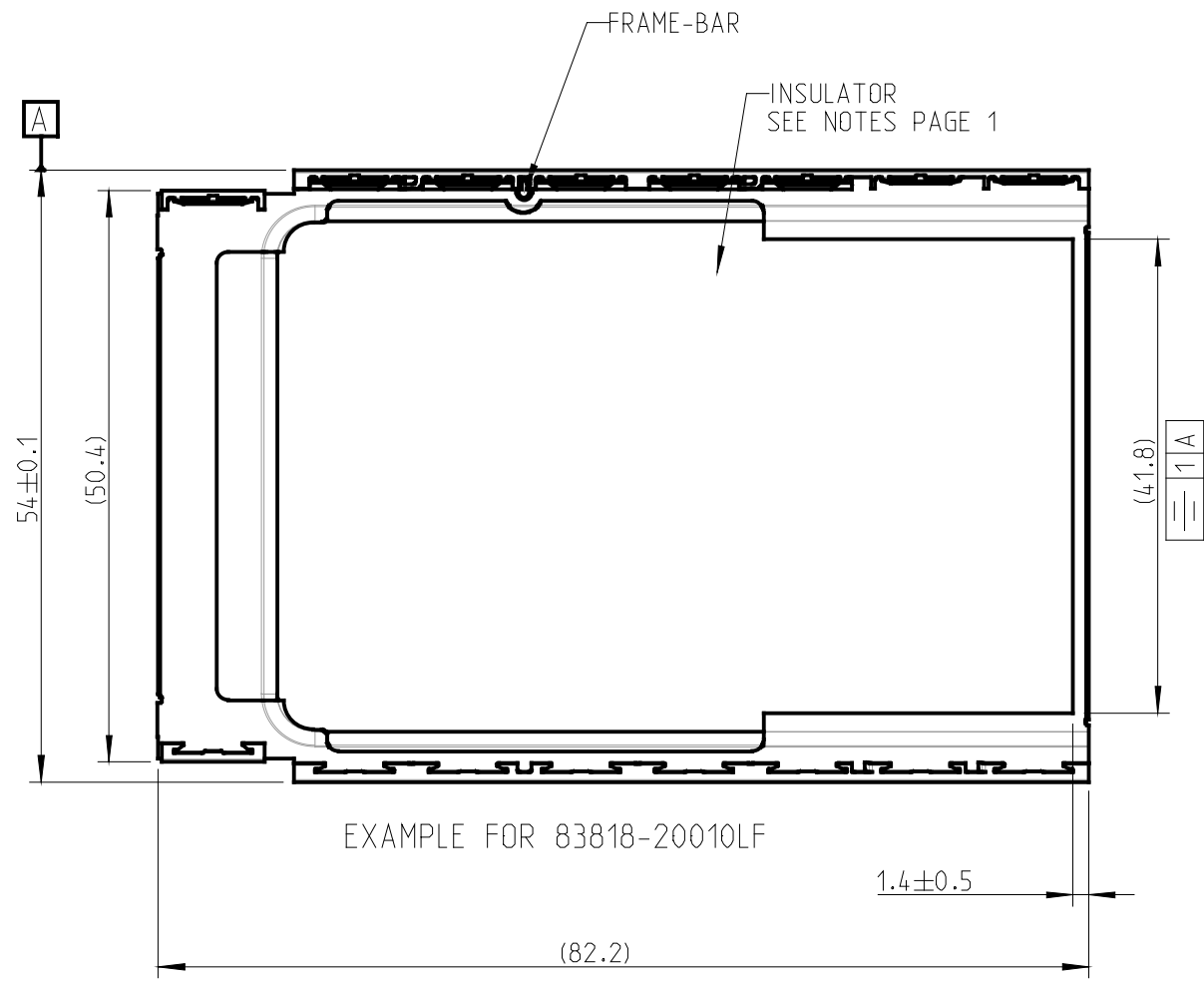
rev	ecn no	dr	date
A	F10759	LSA	01.03.28
B	F10564	FCH	01.10.23
C	F05-0270	LSA	05-10-07
D	F06-0254	LSA	05-11-07
E	F07-0213	LSA	06-06-29
F	F07-0133	LSA	07-02-15
-	-	-	-

Mark with (N/A)

Material	-	Spec ref	GS-19-022		
Mat code	-	surface	<input checked="" type="checkbox"/>	tolerance	projection
Heat treat	-		ISO 1302	ISO 406	
Plating/Finish	-			ISO 1001	mm
Dr	L, SAILLARD	05-06-10			size
Eng	L, SAILLARD	05-06-10		Product family	A4
Chr	G, PEQUIGNOT	05-06-10		Model Name	Scale
Appr /	/	/		83818-20121-03	1:1
				Model Revision	ECN
				1	F06-0213
					REL Level
					RELEASED
	-	CARDSHIELD			Rev.
					83818C
Pro/E file	catalog no				CUSTOMER
					sheet 1 of 3

STANDARD PART NUMBER	LABEL RECESS	MADE FROM		
		CARDSHIELD	FRAME-BAR	INSULATOR
83818-20000LF	NO	10047174-2000	YES	NO
83818-20000				
83818-20010LF	NO	10047174-2000	YES	YES
83818-20010				
83818-20100LF	YES	10047174-2010	YES	NO
83818-20100				
83818-20110LF	YES	10047174-2010	YES	YES
83818-20110				

STANDARD CARDBUS PART NUMBER	LABEL RECESS	MADE FROM		
		CARDSHIELD	FRAME-BAR	INSULATOR
83818-20001LF	NO	10047174-2001	YES	NO
83818-20001				
83818-20011LF	NO	10047174-2001	YES	YES
83818-20011				
83818-20101LF	YES	10047174-2011	YES	NO
83818-20101				
83818-20111LF	YES	10047174-2011	YES	YES
83818-20111				



ON 83818-20XXXLF, THE SUFFIX "LF" IS ADDED FOR LEAD FREE IDENTIFICATION. THIS PRODUCT MEETS EUROPEAN UNION DIRECTIVES AND OTHER COUNTRY REGULATIONS AS PER GS-22-008. PACKAGING SPECIFICATION GS-14-920.

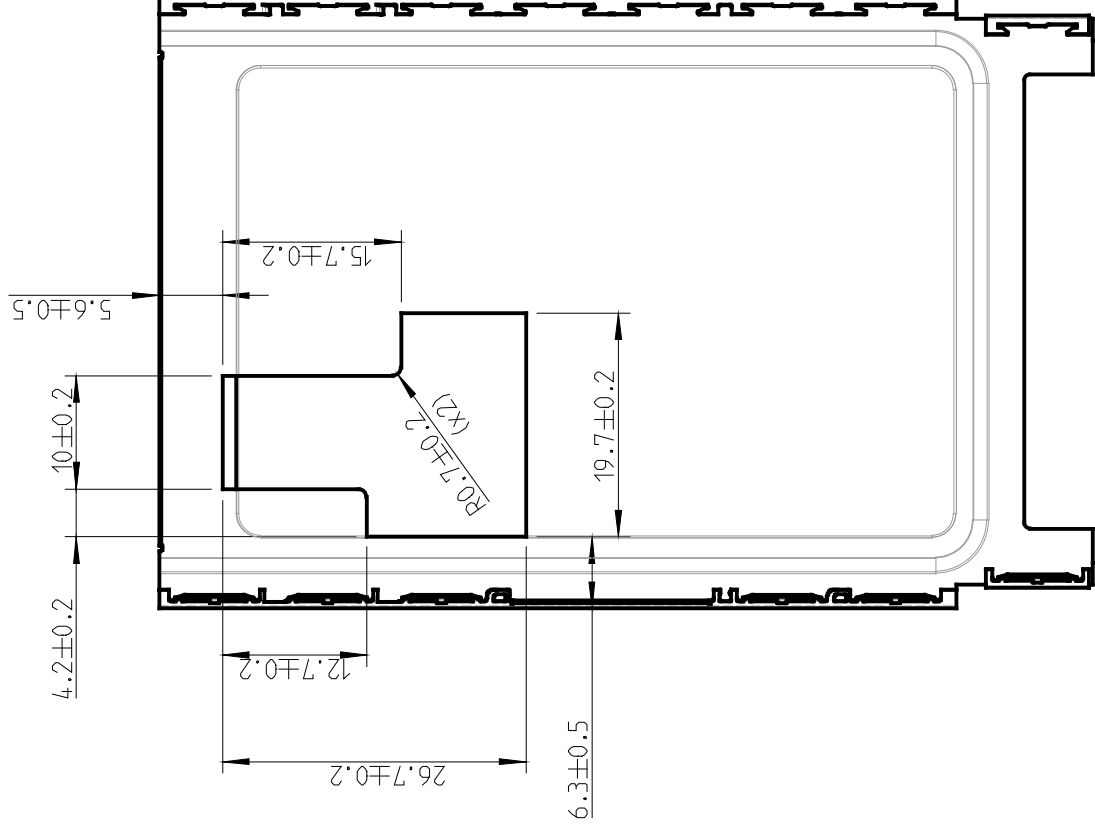
Copyright FCI.



	title - STANDARD CARDSHIELD - ROCARD CARDSHIELD	dwg no 83818C	Rev. F
	catalog no -	CUSTOMER	sheet 2 of 3

PART NUMBER
83818-20121-04LF

83818-20XXX-XX IS SIMILAR TO 83818-20XXX-XXLF, THE SUFFIX "LF" IS ADDED FOR LEAD FREE IDENTIFICATION. THIS PRODUCT MEETS EUROPEAN UNION DIRECTIVES AND OTHER COUNTRY REGULATIONS AS PER GS-22-008. PACKAGING SPECIFICATION GS-14-920.



NOTES :

- INSULATOR :
 - MATERIAL : POLYESTER FOIL
 - DIELECTRIC STRENGTH = 2 500 V
 - TEMPERATURE RANGE : -40 °C TO +85 °C
- PACKAGED IN THERMOFORMED TRAY ACCORDING GS-14-995
500 PCS PER CARTON BOX.

CUSTOMIZED PRODUCT

Material	-	Spec ref	GS-19-022	projection		mm
Mat code	-	surface	✓	tolerance	ISO 406	
Heat treat	-		ISO 1302		ISO 1001	
Plating/Finish	-			size	A4	Scale 1:1
Dr	L. SAILLARD 05-06-10			Product family	PCMCIA	
Eng	L. SAILLARD 05-06-10			Model Name	83818-20121-03	ECN F06-0213
Chr	G. PEQUIGNOT 05-06-10			Model Revision	I	REL Level RELEASED
Appr /	/					
		- TOP CARDSHIELD - RICOLA ANTENNA EXTENSION		83818C Rev. F		
Pro/E file	catalog no			CUSTOMER		sheet 3 of 3

