



Chipsmall Limited consists of a professional team with an average of over 10 year of expertise in the distribution of electronic components. Based in Hongkong, we have already established firm and mutual-benefit business relationships with customers from,Europe,America and south Asia,supplying obsolete and hard-to-find components to meet their specific needs.

With the principle of “Quality Parts,Customers Priority,Honest Operation,and Considerate Service”,our business mainly focus on the distribution of electronic components. Line cards we deal with include Microchip,ALPS,ROHM,Xilinx,Pulse,ON,Everlight and Freescale. Main products comprise IC,Modules,Potentiometer,IC Socket,Relay,Connector.Our parts cover such applications as commercial,industrial, and automotives areas.

We are looking forward to setting up business relationship with you and hope to provide you with the best service and solution. Let us make a better world for our industry!



Contact us

Tel: +86-755-8981 8866 Fax: +86-755-8427 6832

Email & Skype: info@chipsmall.com Web: www.chipsmall.com

Address: A1208, Overseas Decoration Building, #122 Zhenhua RD., Futian, Shenzhen, China



Compact limit switch conforming to NFC 63 145

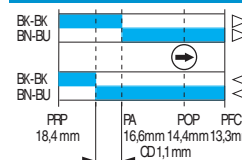
→ Series 83 880 with cable output

- IP 66/67
- Metal case
- cUL approval



Main specifications

Characteristics		Type of output	Metal plunger
Standard		Cable length 1 m	83 880 101
Standard		Cable length 2 m	83 880 102
Standard		Cable length 3 m	83 880 103
Standard		Cable length 6 m	83 880 106
Plunger with 90° roller		Cable length 1 m	-
Plunger with 90° roller		Cable length 2 m	-
Plunger with 90° roller		Cable length 3 m	-
Plunger with 90° roller		Cable length 6 m	-
Mechanical characteristics			
Sequence			
Snap action			
Minimum operating force (N)			10
Minimum operating force (Nm)			-
Minimum total travel force (N)			30
Minimum total travel force (Nm)			-
Min. positive opening travel (N)			28
Min. positive opening travel (Nm)			-
Mechanical life millions of operations			10
Vertical approach speed			1 mm/min → 0.5 m/s
Horizontal approach speed (30° cam)			-
Weight (g)			190



General characteristics

Assigned impulse voltage (Uimp) - V	2500
Assigned insulation voltage (Ui) V	500
Thermal current (Ith) A	10
Low-load switching - Minimum voltage (V)	10
Low-load switching - Minimum current (mA)	100
Assigned working characteristics (EN 60 947.5.1, UL 508)	A300 = AC15 250 V 6 A Q150 = DC13 24 V 8 A
Use category according to IEC 947.5.1	AC15=250 V/6 A DC13=24 V/8 A
Use category according to UL 508	A300 - Q150
Electrical protection	Integral earth wire Short-circuit protection device : IEC/EN 60947.5.1 Fuse 6 AgC
Approvals	UL 508, UL 50

Product adaptations



- Contact type
- Rear output
- Protective scraper seal
- Length of cable/connector/stripping
- Connector output
- Low level contact



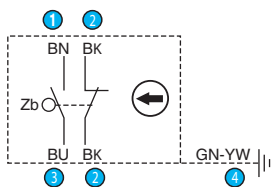
Metal roller plunger	Metal plunger with threaded barrel	Roller plunger - metal with threaded barrel	Steel metal roller lever (2 directions of attack)
83 881 101	83 884 101	83 882 101	83 883 101
83 881 102	83 884 102	83 882 102	83 883 102
83 881 103	83 884 103	83 882 103	83 883 103
83 881 106	83 884 106	83 882 106	83 883 106
83 885 101	-	83 886 101	-
83 885 102	-	83 886 102	-
83 885 103	-	83 886 103	-
83 885 106	-	83 886 106	-
10	10	10	-
-	-	-	0.15
30	30	30	-
-	-	-	0.35
28	28	28	-
-	-	-	0.15
10	10	10	10
1 mm/min → 0.5 m/s	-	1 mm/min → 0.5 m/s	1 mm/min → 0.5 m/s
1 mm/min → 0.3 m/s	1 mm/min → 0.3 m/s	1 mm/min → 0.3 m/s	-
200	220	220	230

Principles

Function

Four-terminal double break two-way contact element (form Zb) with positive opening NC contacts. The 2 moving contacts are electrically isolated from one another.

Snap-action contact

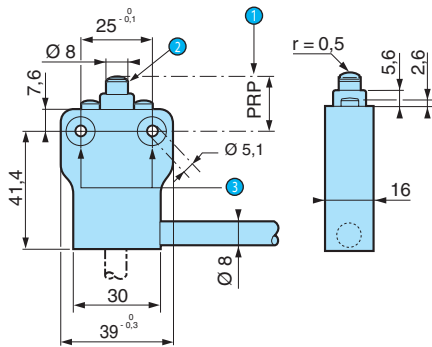


- ① Brown
- ② Black
- ③ Blue
- ④ Green-yellow

Dimensions

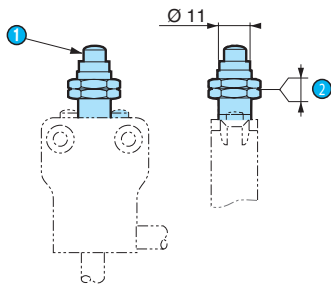
→ Product

83 880 1



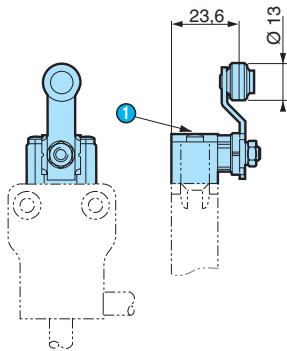
- 1 See sequence diagram
- 2 POP marking
- 3 Ø 10 x 5.1 - 4 counterbores

83 884 1



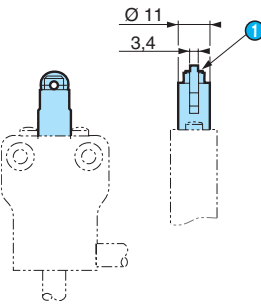
- 1 POP marking
- 2 Max.tightening thickness 8.5

83 883 1



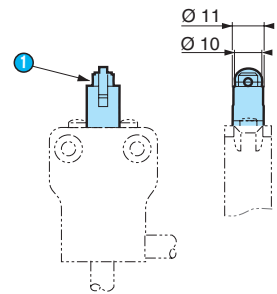
- 1 POP marking

83 881 1



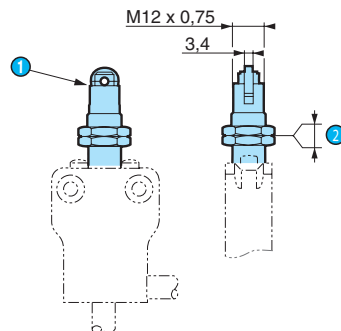
- 1 POP marking

83 885 1



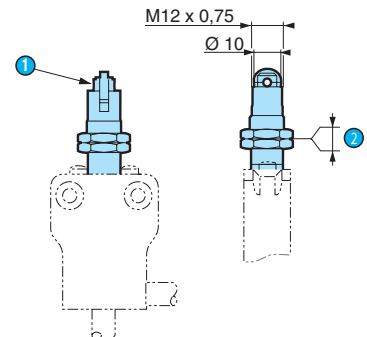
- 1 POP marking

83 882 1



- 1 POP marking
- 2 Max.tightening thickness 10.5

83 886 1



- 1 POP marking
- 2 Max.tightening thickness 10.5