



Chipsmall Limited consists of a professional team with an average of over 10 year of expertise in the distribution of electronic components. Based in Hongkong, we have already established firm and mutual-benefit business relationships with customers from,Europe,America and south Asia,supplying obsolete and hard-to-find components to meet their specific needs.

With the principle of “Quality Parts,Customers Priority,Honest Operation,and Considerate Service”,our business mainly focus on the distribution of electronic components. Line cards we deal with include Microchip,ALPS,ROHM,Xilinx,Pulse,ON,Everlight and Freescale. Main products comprise IC,Modules,Potentiometer,IC Socket,Relay,Connector.Our parts cover such applications as commercial,industrial, and automotives areas.

We are looking forward to setting up business relationship with you and hope to provide you with the best service and solution. Let us make a better world for our industry!



Contact us

Tel: +86-755-8981 8866 Fax: +86-755-8427 6832

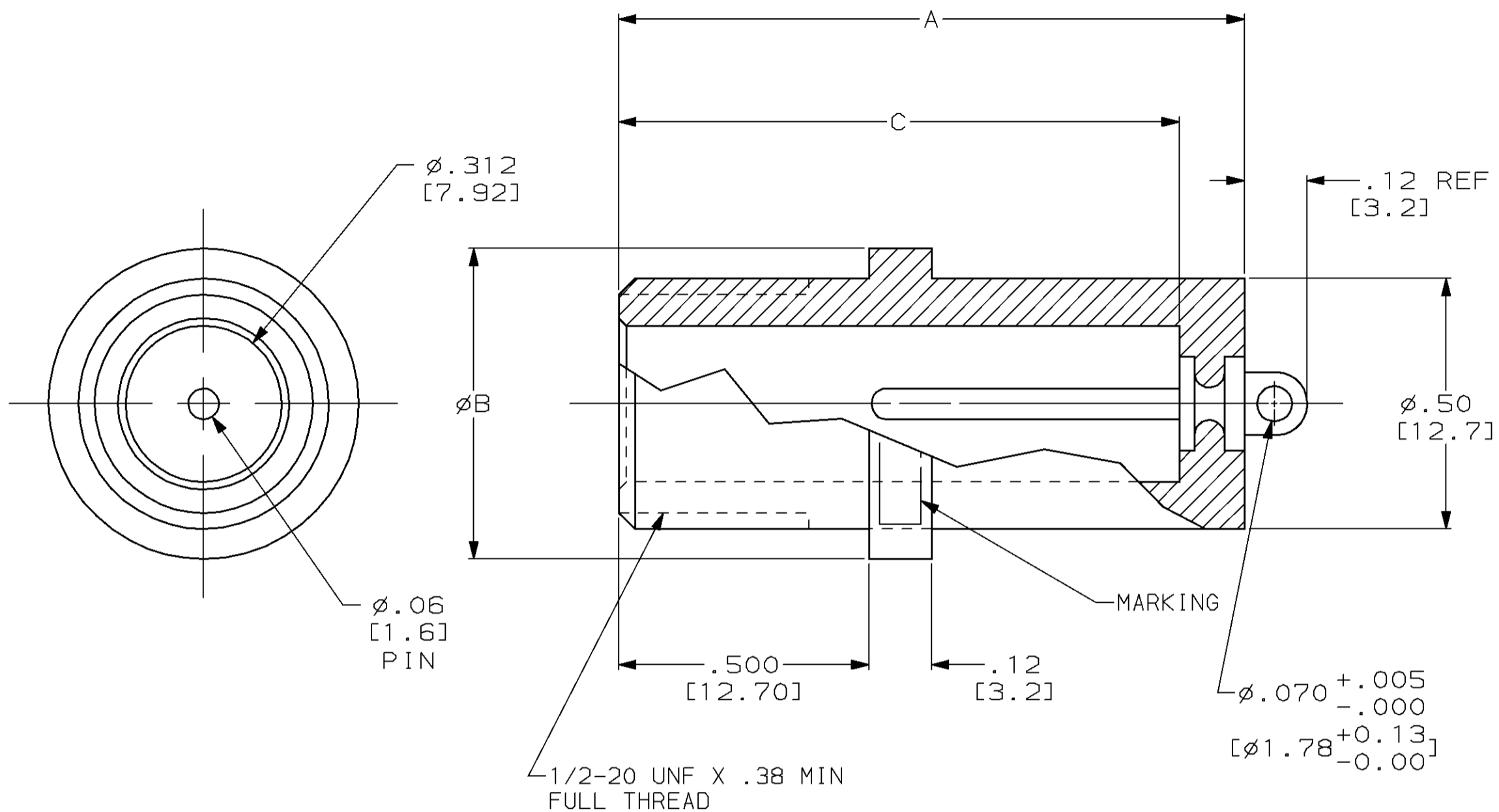
Email & Skype: info@chipsmall.com Web: www.chipsmall.com

Address: A1208, Overseas Decoration Building, #122 Zhenhua RD., Futian, Shenzhen, China



THIS DRAWING IS UNPUBLISHED. RELEASED FOR PUBLICATION
 BY AMP INCORPORATED. ALL RIGHTS RESERVED.

LOC	DIST	REVISIONS			
P	LTR	DESCRIPTION	DATE	DWN	APVD
DF	SO				
N		REV PER 0600-6634-97	02SEP98	TT	SG



1. RECEPTACLE TO MATE WITH AMP LGH-1 LEAD ASSEMBLY, AVAILABLE SEPARATELY.

OBSOLETE	1.00 [25.4]	.75 [19.1]	1.12 [28.4]	X	-	1-838960-6
OBSOLETE	1.00 [25.4]	.75 [19.1]	1.12 [28.4]	-	X	1-838960-5
OBSOLETE	1.12 [28.4]	.75 [19.1]	1.25 [31.8]	X	-	1-838960-4
OBSOLETE	1.12 [28.4]	.75 [19.1]	1.25 [31.8]	-	X	1-838960-3
OBSOLETE	.75 [19.1]	.75 [19.1]	.88 [22.4]	X	-	1-838960-2
OBSOLETE	.75 [19.1]	.75 [19.1]	.88 [22.4]	-	X	1-838960-1
OBSOLETE	.88 [22.4]	.75 [19.1]	1.00 [25.4]	X	-	1-838960-0
OBSOLETE	.88 [22.4]	.75 [19.1]	1.00 [25.4]	-	X	838960-9
OBSOLETE	1.00 [25.4]	.62 [15.7]	1.12 [28.4]	X	-	838960-8
OBSOLETE	1.00 [25.4]	.62 [15.7]	1.12 [28.4]	-	X	838960-7
OBSOLETE	1.12 [28.4]	.62 [15.7]	1.25 [31.8]	X	-	838960-6
OBSOLETE	1.12 [28.4]	.62 [15.7]	1.25 [31.8]	-	X	838960-5
OBSOLETE	.75 [19.1]	.62 [15.7]	.88 [22.4]	X	-	838960-4
OBSOLETE	.75 [19.1]	.62 [15.7]	.88 [22.4]	-	X	838960-3
OBSOLETE	.88 [22.4]	.62 [15.7]	1.00 [25.4]	X	-	838960-2
OBSOLETE	.88 [22.4]	.62 [15.7]	1.00 [25.4]	-	X	838960-1

DIM C	DIM B	DIM A	PIN GOLD	PIN TIN	PART NUMBER
-------	-------	-------	----------	---------	-------------

THIS DRAWING IS A CONTROLLED DOCUMENT.

DIMENSIONS: IN (MM)	TOLERANCES UNLESS OTHERWISE SPECIFIED:	DWN T. THOMPSON 02SEP98	AMP Incorporated Harrisburg, PA 17105-3608
	0 PLC ±-	CHK S. GLATFELTER 02SEP98	
	1 PLC ±-	APVD S. GLATFELTER 02SEP98	
	2 PLC ±.02 [0.5]	PRODUCT SPEC	
3 PLC ±.005 [0.13]	4 PLC ±-	APPLICATION SPEC	NAME S. GLATFELTER
4 PLC ±-	ANGLES ±-	FINISH -	SIZE A2
MATERIAL -	FINISH -	WEIGHT -	CAGE CODE 00779
CUSTOMER DRAWING			DRAWING NO 838960
SCALE 4:1			RESTRICTED TO -
SHEET 1 OF 1			REV N

838960

B

A