



Chipsmall Limited consists of a professional team with an average of over 10 year of expertise in the distribution of electronic components. Based in Hongkong, we have already established firm and mutual-benefit business relationships with customers from,Europe,America and south Asia,supplying obsolete and hard-to-find components to meet their specific needs.

With the principle of “Quality Parts,Customers Priority,Honest Operation,and Considerate Service”,our business mainly focus on the distribution of electronic components. Line cards we deal with include Microchip,ALPS,ROHM,Xilinx,Pulse,ON,Everlight and Freescale. Main products comprise IC,Modules,Potentiometer,IC Socket,Relay,Connector.Our parts cover such applications as commercial,industrial, and automotives areas.

We are looking forward to setting up business relationship with you and hope to provide you with the best service and solution. Let us make a better world for our industry!



Contact us

Tel: +86-755-8981 8866 Fax: +86-755-8427 6832

Email & Skype: info@chipsmall.com Web: www.chipsmall.com

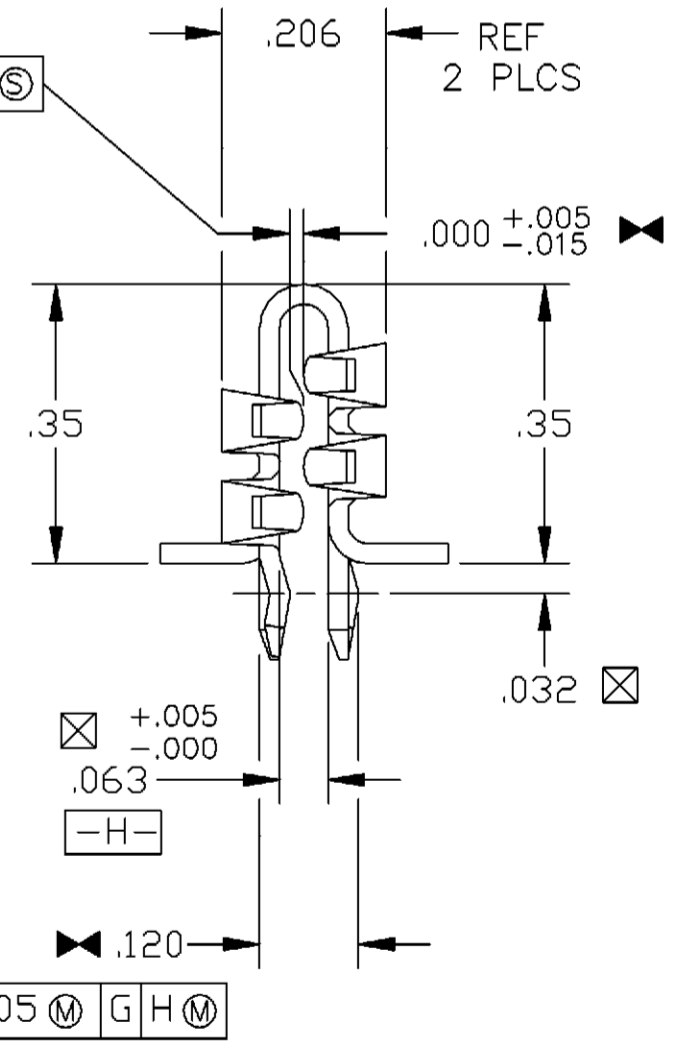
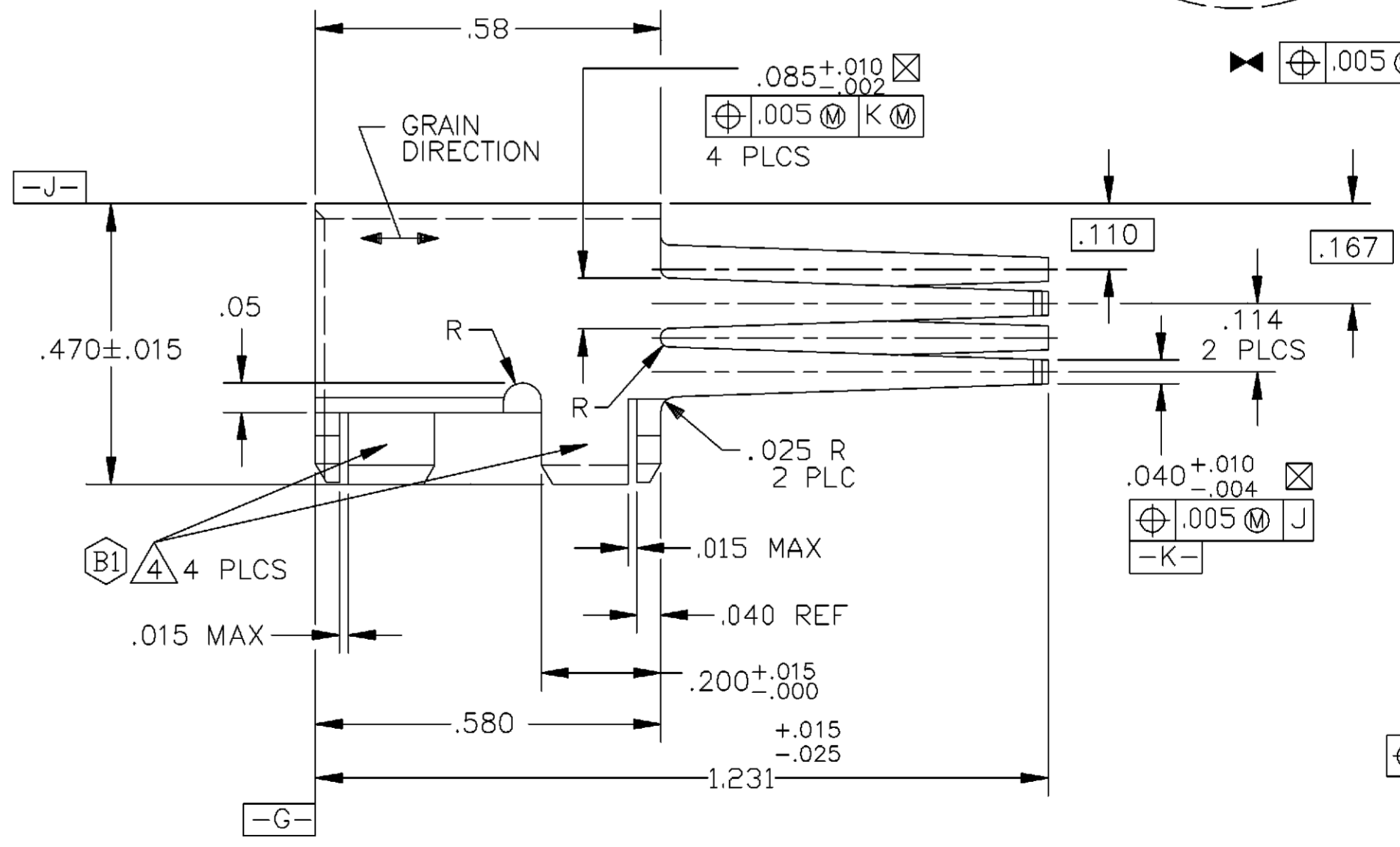
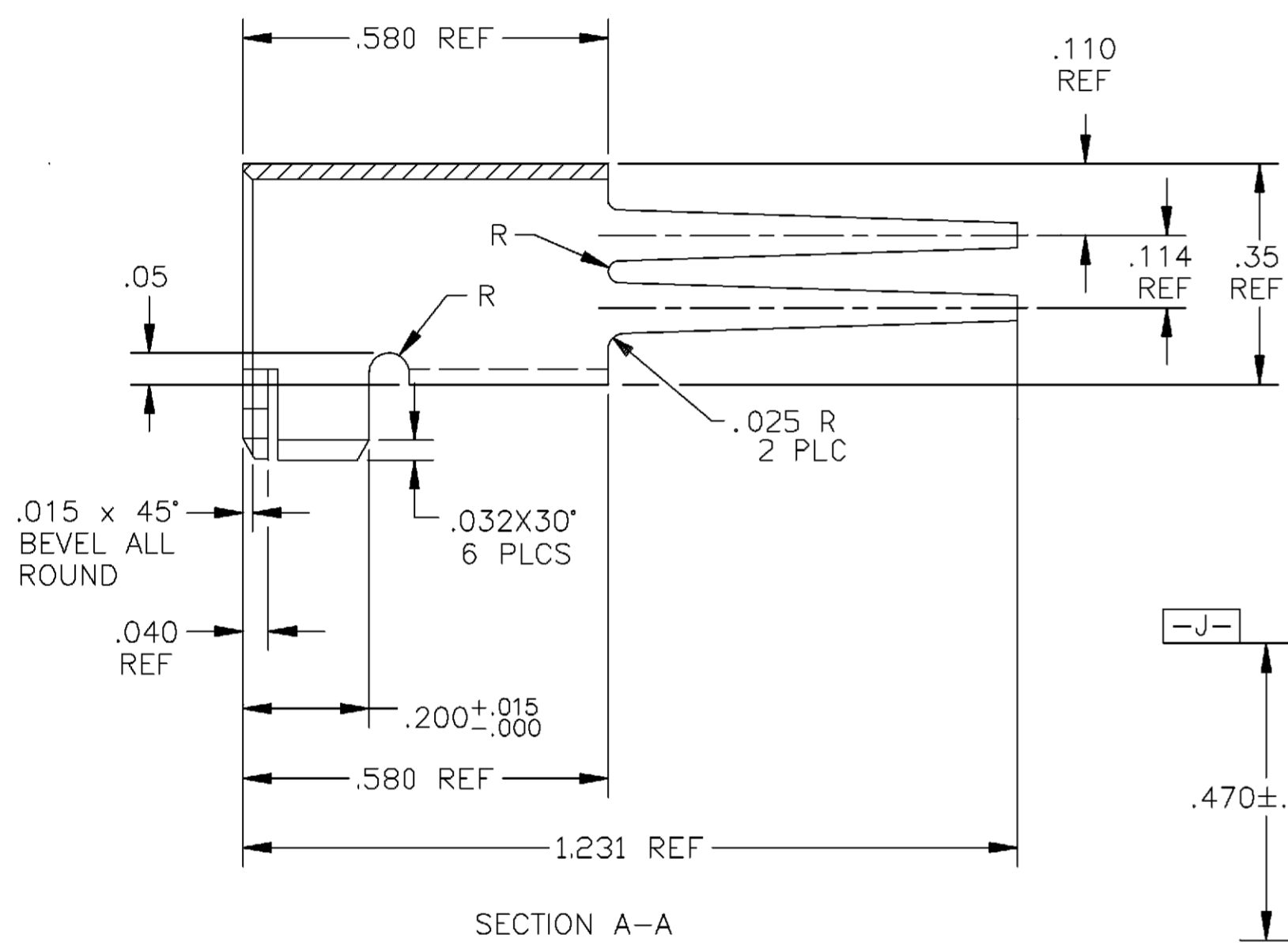
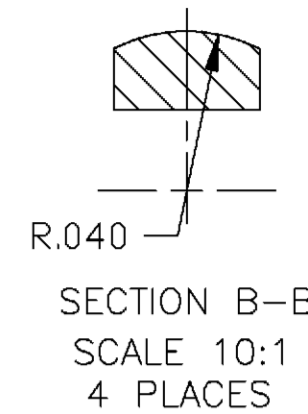
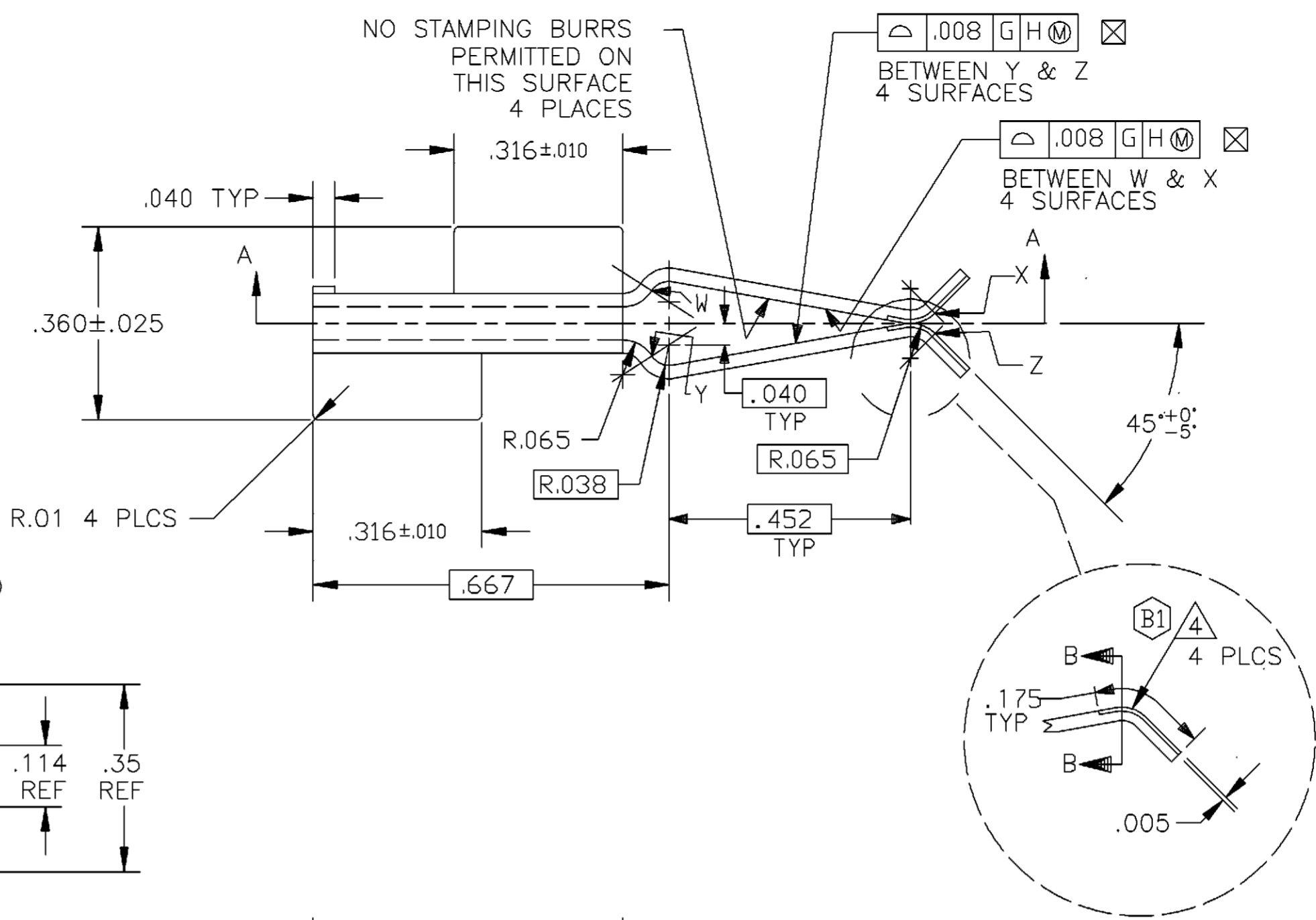
Address: A1208, Overseas Decoration Building, #122 Zhenhua RD., Futian, Shenzhen, China



83952
 THIS DRAWING IS A CONTROLLED DOCUMENT FOR AMP INCORPORATED. IT IS SUBJECT TO CHANGE AND THE CONTROLLING ENGINEERING ORGANIZATION SHOULD BE CONTACTED FOR THE LATEST REVISION.

- 1 FINISH: PLATE .000250-.000350 THK SILVER, AMP 112-32-2 (INCLUDING ANTI-TARNISH TREATMENT), OVER .000050-.000100 THK NICKEL, AMP 112-25-2.
- 2 LUBRICATE ENTIRE TERMINAL WITH MILLER STEPHENSON MS-181 OR EQUIVALENT AFTER PLATING
- 3 SURFACE AREA 1.51 SQ IN
- 4 TARNISH NOT ALLOWED IN CRITICAL AREAS - CONTACT AREAS ON SPRING MEMBERS - 4 PLCS.

B1



LOC	BG
DTST	5

REV	DESCRIPTION	DATE	BY	CHKD
B1	REV PER LC00-0084-98	05AUG98	MM	RK
B	REV PER LC00-0043-96	02APR96	PC	BJ
A	REV PER LC00-0078-95	06SEP95	MC	BJ
0	RELEASE PER LC00-0026-95	14MAR95	GG	GG
P	LTR		DWN	APVD

LEGEND	
▬	SPC CONTROLLED DIMENSION
⊠	MAJOR DIMENSION
⊕	DIMENSIONS: INCHES
⊖	TOLERANCES UNLESS OTHERWISE SPECIFIED:
0 PLC	±-
1 PLC	±.02
2 PLC	±.05
3 PLC	±.005
4 PLC	±-
⊕	ANGLES: 0°-30°
⊖	SURFACE TEXTURE 32 REMOVE BURRS, BREAK SHARP EDGES R.015 MAX.

UNPLATED FINISH	83952-1	83952-2
	703397-7	83952-1
	MATERIAL	PART NO.
	SEE TABLE	NONE
DRAWN BY: GEORGE GEE	17FEB95	MATERIAL
CHECKED BY: J. SADABA	28MAR95	HEAT TREAT
APPROVED BY: G. GOTO	28 MAR 95	AMP of Canada Markham, Ontario
NAME: CONNECTOR, BOARD MOUNT STYLE, 062 SERIES, PLUGGABLE BUS BAR CONNECTOR		
SCALE: 4:1	SIZE: A2	DRAWING NO: 83952
SHEET: 1 OF 1	REV: B1	