



Chipsmall Limited consists of a professional team with an average of over 10 year of expertise in the distribution of electronic components. Based in Hongkong, we have already established firm and mutual-benefit business relationships with customers from,Europe,America and south Asia,supplying obsolete and hard-to-find components to meet their specific needs.

With the principle of “Quality Parts,Customers Priority,Honest Operation,and Considerate Service”,our business mainly focus on the distribution of electronic components. Line cards we deal with include Microchip,ALPS,ROHM,Xilinx,Pulse,ON,Everlight and Freescale. Main products comprise IC,Modules,Potentiometer,IC Socket,Relay,Connector.Our parts cover such applications as commercial,industrial, and automotives areas.

We are looking forward to setting up business relationship with you and hope to provide you with the best service and solution. Let us make a better world for our industry!



Contact us

Tel: +86-755-8981 8866 Fax: +86-755-8427 6832

Email & Skype: info@chipsmall.com Web: www.chipsmall.com

Address: A1208, Overseas Decoration Building, #122 Zhenhua RD., Futian, Shenzhen, China

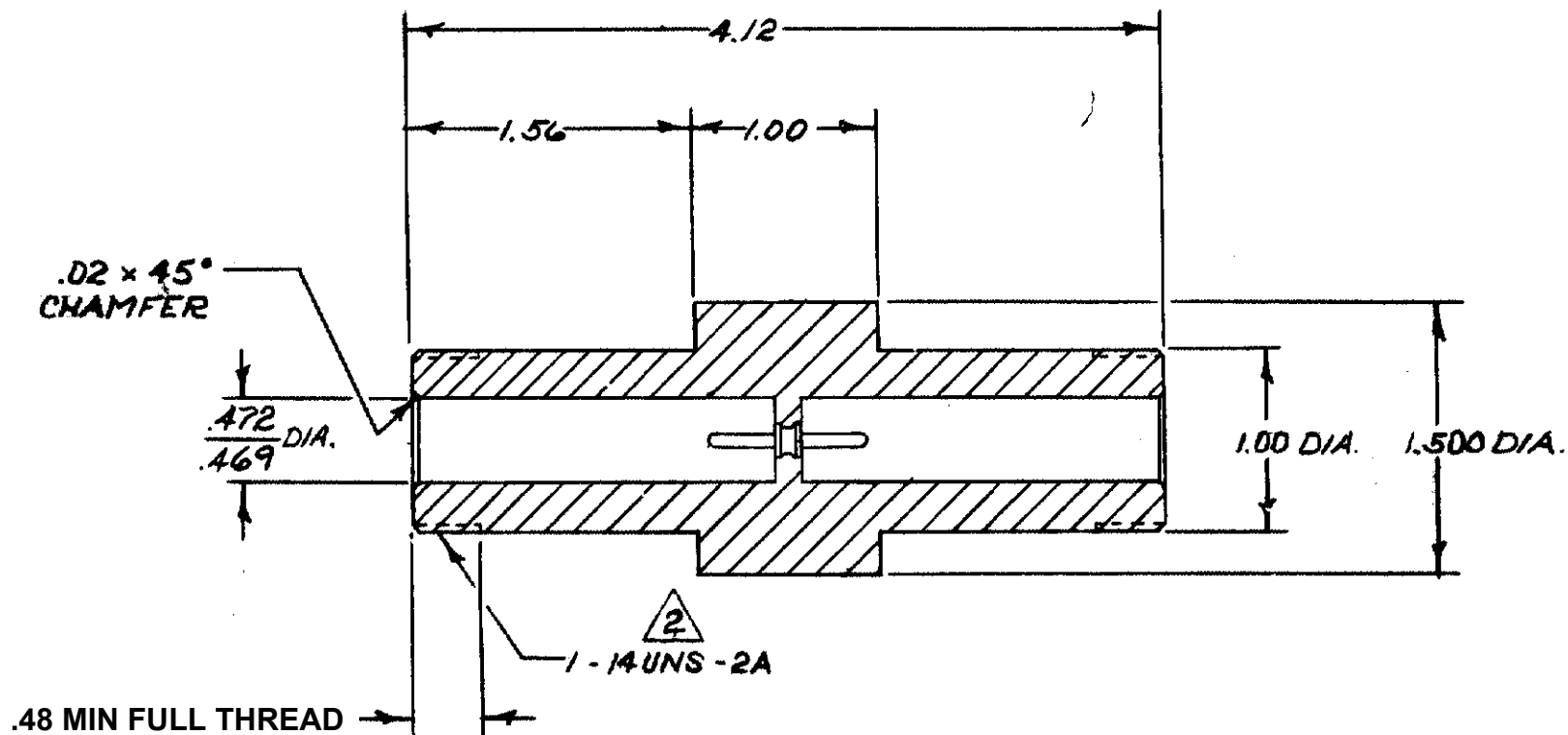


DRAWING MADE IN AMERICAN PROJECTION

© 1973 BY AMP INCORPORATED. ALL RIGHTS RESERVED. AMP PRODUCTS COVERED BY PATENTS AND/OR PATENTS PENDING.

THIS PRODUCT DESIGNED AND BUILT BY AMP INCORPORATED. NO LICENSE TO USE THAT DESIGN IN MANUFACTURE, OR TO USE ANY ISSUED OR PENDING PATENTS WHICH ARE INVOLVED, IS IMPLIED.

REVISIONS				
ZONE	LTR	DESCRIPTION	DATE	APPROVED
	D	REV. / REDRAWN	DLA 2-19-73	[Signature]
	E	UP-DATED ECN 8333 R.G.R.	6/1/78	[Signature]
	F	REV PER E.C.N 5-3960	9-10-87	RB
	G	ECO-12-009412	PY 6-21-12	DE



1. RECEPTACLE TO MATE WITH AMP LGH-4 LEAD ASSEMBLY. AVAILABLE SEPARATELY.

2 PER FEDERAL STANDARD H-28 3 WIRE METHOD. DIMENSION OVER WIRES TO BE: .9975-1.0186.

840467-2	AS SHOWN; WITH GOLD PLATED PIN PER MIL-G45024 TYPE II, CLASS 3
840467-1	AS SHOWN; WITH TIN PLATED PIN PER MIL-T-10727 TYPE I OR II, .0001 THK.

QTY REQD	QTY REQD	ITEM NO.	DWG SIZE	PART OR IDENTIFYING NO.	NOMENCLATURE OR DESCRIPTION	SYMBOL
-2	-1					

PARTS LIST				UNLESS OTHERWISE SPECIFIED: DIMENSIONS ARE IN INCHES TOLERANCES .00 = ± .015 ANGLES = .000 = ± .005		CONTRACT NO. DR C. E. DORWART		AMP INCORPORATED CAPITRON DIVISION, ELIZABETHTOWN, PENNSYLVANIA		
				MATERIAL: MOLDED GLASS EPOXY	CHK	NAME CONNECTOR, FEED-THRU ASS'Y. FOR SPLICE APPLICATIONS LGH-4				
				FINISH: BLACK	APPD J.W. GAW	DSGN APPD	SIZE B	CODE IDENT NO. 89110	NUMBER 840467	REV G
NEXT ASSY	FINAL ASSY	NEXT ASSY	USED ON		OTHER APPD	SCALE	WT	SHEET 1 OF 1		
QTY REQD	APPL. CATION									

PRINT DIST L 137