



Chipsmall Limited consists of a professional team with an average of over 10 year of expertise in the distribution of electronic components. Based in Hongkong, we have already established firm and mutual-benefit business relationships with customers from,Europe,America and south Asia,supplying obsolete and hard-to-find components to meet their specific needs.

With the principle of “Quality Parts,Customers Priority,Honest Operation,and Considerate Service”,our business mainly focus on the distribution of electronic components. Line cards we deal with include Microchip,ALPS,ROHM,Xilinx,Pulse,ON,Everlight and Freescale. Main products comprise IC,Modules,Potentiometer,IC Socket,Relay,Connector.Our parts cover such applications as commercial,industrial, and automotives areas.

We are looking forward to setting up business relationship with you and hope to provide you with the best service and solution. Let us make a better world for our industry!



## Contact us

Tel: +86-755-8981 8866 Fax: +86-755-8427 6832

Email & Skype: info@chipsmall.com Web: www.chipsmall.com

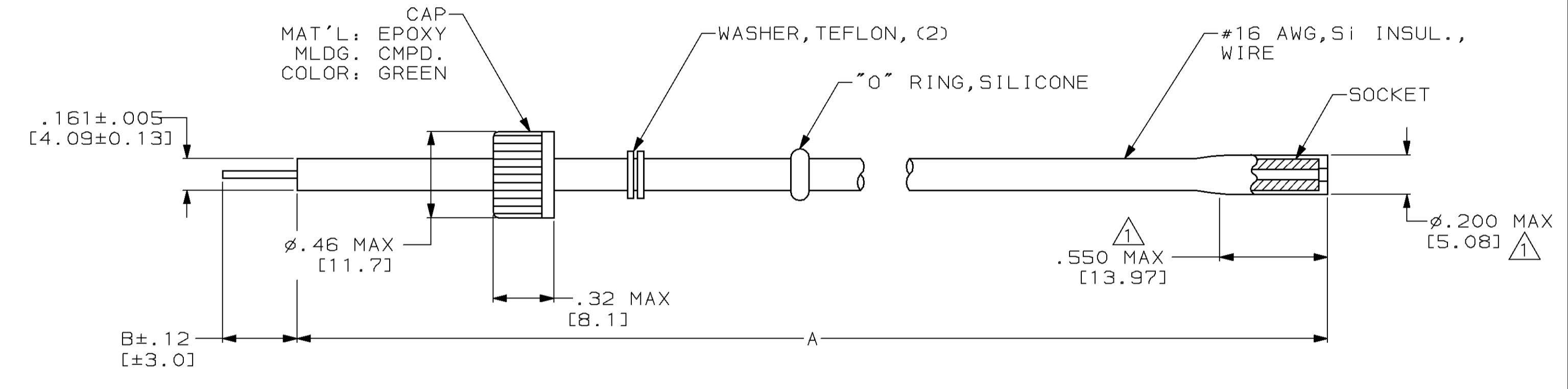
Address: A1208, Overseas Decoration Building, #122 Zhenhua RD., Futian, Shenzhen, China



PROB		LOC	Q1ST	REVISIONS						
4089	DF	50	P	F	ZONE	LTR	DESCRIPTION	DATE	APPD	
					N		REV PER 0600-5478-96	CT	7-96	SG

PART NO.	A $\triangle$	B $\triangle$	
840706-1	12.00 [304.8]	.25 [6.3]	
840706-2	15.00 [381.0]	.25 [6.3]	
840706-3	18.00 [457.2]	.25 [6.3]	
840706-4	2.00 [50.8]	.38 [9.7]	OBSOLETE
840706-5	36.00 [914.4]	.25 [6.3]	OBSOLETE
840706-6	16.00 [406.4]	.25 [6.3]	OBSOLETE
840706-7	24.00 [609.6]	.25 [6.3]	
840706-8	144.00 [3657.6]	.25 [6.3]	OBSOLETE
840706-9	60.00 [1524.0]	.25 [6.3]	OBSOLETE
1-840706-0	48.00 [1219.2]	.25 [6.3]	OBSOLETE
1-840706-1	180.00 [4572.0]	.25 [6.3]	OBSOLETE
1-840706-2	10.00 [254.0]	.25 [6.3]	
1-840706-3	4.00 [101.6]	.25 [6.3]	
1-840706-4	30.00 [762.0]	.25 [6.3]	OBSOLETE
1-840706-5	54.00 [1371.6]	.38 [9.7]	OBSOLETE
1-840706-6	45.00 [1143.0]	.38 [9.7]	OBSOLETE
1-840706-7	72.00 [1828.8]	.25 [6.3]	
1-840706-8	6.00 [152.4]	.38 [9.7]	
1-840706-9	8.00 [203.2]	-	OBSOLETE
2-840706-0	21.00 [533.4]	.25 [6.3]	
2-840706-1	9.00 [228.6]	-	
2-840706-2	96.00 [2438.4]	.38 [9.7]	OBSOLETE
2-840706-3	108.00 [2743.2]	.25 [6.3]	OBSOLETE
2-840706-4	9.00 [228.6]	.25 [6.3]	
2-840706-5	13.68 [347.5]	.31 [7.9]	OBSOLETE
2-840706-6	19.68 [499.9]	.31 [7.9]	OBSOLETE
2-840706-7	6.62 [168.1]	.38 [9.7]	OBSOLETE
2-840706-8	44.00 [1117.6]	.25 [6.3]	OBSOLETE
2-840706-9	25.00 [635.0]	.38 [9.7]	OBSOLETE
3-840706-0	10.00 [254.0]	-	OBSOLETE
3-840706-1	72.00 [1828.8]	-	OBSOLETE
3-840706-2	20.00 [508.0]	-	
3-840706-3	3.00 [76.2]	.25 [6.3]	
3-840706-4	21.00 [533.4]	-	OBSOLETE
3-840706-5	40.00 [1016.0]	-	
3-840706-6	8.00 [203.2]	.25 [6.3]	
3-840706-7	5.00 [127.0]	.25 [6.3]	OBSOLETE
3-840706-8	25.62 [650.7]	.38 [9.7]	OBSOLETE
3-840706-9	12.00 [304.8]	-	OBSOLETE
4-840706-0	32.00 [812.8]	-	OBSOLETE
4-840706-1	600.00 [15240.0]	-	
4-840706-2	84.00 [2133.6]	-	OBSOLETE
4-840706-3	7.75 [196.8]	.25 [6.3]	OBSOLETE
4-840706-4	11.00 [279.4]	-	OBSOLETE
4-840706-5	8.00 [203.2]	.38 [9.7]	OBSOLETE
4-840706-6	28.00 [711.2]	.38 [9.7]	OBSOLETE
4-840706-7	13.00 [330.2]	.25 [6.3]	OBSOLETE
4-840706-8	36.00 [914.4]	-	OBSOLETE
4-840706-9	13.00 [330.2]	-	OBSOLETE
5-840706-0	11.50 [292.1]	.50 [12.7]	OBSOLETE

PART NO.	A $\triangle$	B $\triangle$	
5-840706-1	300.00 [7620.0]	-	OBSOLETE
5-840706-2	48.00 [1219.2]	.50 [12.7]	OBSOLETE
5-840706-3	3.75 [95.2]	.75 [19.0]	OBSOLETE
5-840706-4	360.00 [9144.0]	-	OBSOLETE
5-840706-5	13.00 [330.2]	.75 [19.0]	OBSOLETE
5-840706-6	240.00 [6096.0]	.25 [6.3]	OBSOLETE
5-840706-7	6.50 [165.1]	.38 [9.7]	OBSOLETE
5-840706-8	22.00 [558.8]	-	
5-840706-9	156.00 [3962.4]	-	OBSOLETE
6-840706-0	18.00 [457.2]	.75 [19.0]	
6-840706-1	9.00 [228.6]	.38 [9.7]	OBSOLETE
6-840706-2	11.00 [279.4]	.38 [9.7]	
6-840706-3	22.00 [558.8]	.38 [9.7]	OBSOLETE
6-840706-4	56.00 [1422.4]	-	OBSOLETE
6-840706-5	26.00 [660.4]	-	OBSOLETE
6-840706-6	4.00 [101.6]	-	OBSOLETE
6-840706-7	48.00 [1219.2]	-	OBSOLETE
6-840706-8	3.38 [85.9]	.62 [15.7]	OBSOLETE
6-840706-9	5.87 [149.1]	.62 [15.7]	OBSOLETE
7-840706-0	10.50 [266.7]	.38 [9.7]	
7-840706-1	7.00 [177.8]	-	OBSOLETE
7-840706-2	14.00 [355.6]	-	OBSOLETE
7-840706-3	14.00 [355.6]	.38 [9.7]	
7-840706-4	16.00 [406.4]	.38 [9.7]	OBSOLETE
7-840706-5	42.00 [1066.8]	-	OBSOLETE
7-840706-6	37.00 [939.8]	.38 [9.7]	
7-840706-7	23.62 [599.9]	.38 [9.7]	OBSOLETE
7-840706-8	6.50 [165.1]	.25 [6.3]	OBSOLETE
7-840706-9	5.50 [139.7]	.38 [9.7]	OBSOLETE
8-840706-0	36.00 [914.4]	.38 [9.7]	
8-840706-1	700.00 [17780.0]	.38 [9.7]	OBSOLETE
8-840706-2	80.00 [2032.0]	.38 [9.7]	OBSOLETE
8-840706-3	21.88 [555.8]	.47 [11.9]	OBSOLETE
8-840706-4	18.44 [468.4]	.50 [12.7]	OBSOLETE
8-840706-5	78.75 [2000.2]	.38 [9.7]	
8-840706-6	26.94 [684.3]	.47 [11.9]	
8-840706-7	21.25 [539.7]	.50 [12.7]	OBSOLETE
8-840706-8	20.50 [520.7]	.50 [12.7]	OBSOLETE
8-840706-9	12.88 [327.2]	.50 [12.7]	OBSOLETE
9-840706-0	25.50 [647.7]	.50 [12.7]	OBSOLETE
9-840706-1	3.00 [76.2]	-	OBSOLETE
9-840706-2	25.00 [635.0]	.50 [12.7]	OBSOLETE
9-840706-3	12.00 [304.8]	.50 [12.7]	OBSOLETE
9-840706-4	4.50 [114.3]	.38 [9.7]	OBSOLETE
9-840706-5	1070.00 [27178.0]	-	OBSOLETE
9-840706-6	15.75 [400.0]	-	OBSOLETE
9-840706-7	5.00 [127.0]	-	OBSOLETE
9-840706-8	20.00 [508.0]	.38 [9.7]	OBSOLETE
9-840706-9	17.50 [444.5]	.38 [9.7]	OBSOLETE



- $\triangle$  .200 MAX DIMENSION HELD OVER THE .550 MAX AREA ONLY.
- MARKED PER MIL-STD-130.
- LEAD COLOR IS WHITE UNLESS OTHERWISE SPECIFIED.
- LEADS WILL MATE WITH AMP 1/2 OR 1/2L RECEPTACLES.
- OPERATING VOLTAGE: 15 KVDC AT 0 TO 70,000 FEET, -55°C TO 125°C.
- $\triangle$  TOLERANCE OF LEAD LENGTH:  
UP TO 24 INCHES [609.6] = ±.12 [±3.1]  
24 INCHES [609.6] & UP = 1%
- $\triangle$  WHERE APPLICABLE "B" STRIP LENGTH IS SOLDER DIPPED.
- FOR ADDITIONAL LENGTHS SEE AMP DWG. 860520.

DO NOT SCALE PRINT. UNLESS SPECIFIED DIMENSIONS IN INCHES [mm] TOLERANCES ON:		DR 9-7-89 C.C. THOMAS		AMP INCORPORATED Harrisburg, Pa. 17105	
2 PLC DEC ± -		CHK 12-19-89 S. GLATFELTER			
3 PLC DEC ± -		APPD 12-19-89 S. GLATFELTER		NAME	
ANGLES ± -		RLSE 12-19-89 C.C. THOMAS		LEAD ASS'Y, LGH	
MATERIAL		PRODUCT SPEC		1/2 & 1/2L, SGL. END	
SEE CALLOUTS		APPLICATION SPEC		SIZE	CAGE CODE
FINISH		-		D	00779
WEIGHT		-		SCALE	DRAWING NO
-		-		2:1	840706
-		-		SHEET 1 OF 1	