



Chipsmall Limited consists of a professional team with an average of over 10 year of expertise in the distribution of electronic components. Based in Hongkong, we have already established firm and mutual-benefit business relationships with customers from,Europe,America and south Asia,supplying obsolete and hard-to-find components to meet their specific needs.

With the principle of “Quality Parts,Customers Priority,Honest Operation,and Considerate Service”,our business mainly focus on the distribution of electronic components. Line cards we deal with include Microchip,ALPS,ROHM,Xilinx,Pulse,ON,Everlight and Freescale. Main products comprise IC,Modules,Potentiometer,IC Socket,Relay,Connector.Our parts cover such applications as commercial,industrial, and automotives areas.

We are looking forward to setting up business relationship with you and hope to provide you with the best service and solution. Let us make a better world for our industry!



Contact us

Tel: +86-755-8981 8866 Fax: +86-755-8427 6832

Email & Skype: info@chipsmall.com Web: www.chipsmall.com

Address: A1208, Overseas Decoration Building, #122 Zhenhua RD., Futian, Shenzhen, China

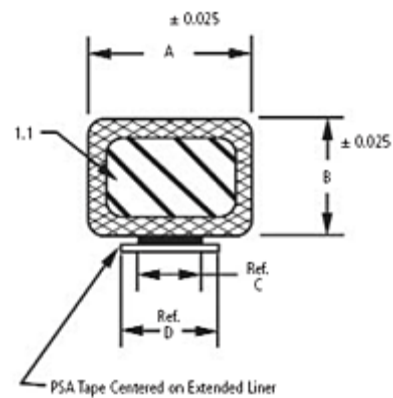


Laird TechnologiesWeb site: www.LairdTech.com

All Categories > EMI Solutions > EMI Shielding & Gaskets > Wire Mesh & Knitted Gaskets > Clips, Washer, Tape etc. > Ultrasoft Knit EMI Gaskets > Item # 8417-3055-62

Item # 8417-3055-62, Ultrasoft Knit EMI GasketsList Price **QUOTE**
[Stock Locator](#)

Laird Technologies UltraSoft Knit EMI gasket material consists of a metalized nylon yarn knit over a flame retardant UL 94 HF-1 low density foam polyester core material. The close-knit stitch of the metalized nylon provides a highly effective EMI shield, as well as a smooth, soft surface that will not abrade plated plastic interfaces.


[larger image](#)

[larger image](#)
Specifications

Dimension A	0.375 inches
Dimension A	9.5 mm
Dimension B	0.187 inches
Dimension B	4.7 mm
Dimension C	0.150 inches
Dimension C	3.8 mm
Dimension D	0.336 inches
Dimension D	8.5 mm
Length	7 ft.
Length	2.1 M
EMI Shield Material	Silver plated nylon

Foam Core Material	Low density UL 94 HF-1 approved polyester
Pressure Sensitive Adhesive Material	Acrylic

[Print](#)

[Back](#)