



Chipsmall Limited consists of a professional team with an average of over 10 year of expertise in the distribution of electronic components. Based in Hongkong, we have already established firm and mutual-benefit business relationships with customers from,Europe,America and south Asia,supplying obsolete and hard-to-find components to meet their specific needs.

With the principle of “Quality Parts,Customers Priority,Honest Operation,and Considerate Service”,our business mainly focus on the distribution of electronic components. Line cards we deal with include Microchip,ALPS,ROHM,Xilinx,Pulse,ON,Everlight and Freescale. Main products comprise IC,Modules,Potentiometer,IC Socket,Relay,Connector.Our parts cover such applications as commercial,industrial, and automotives areas.

We are looking forward to setting up business relationship with you and hope to provide you with the best service and solution. Let us make a better world for our industry!



Contact us

Tel: +86-755-8981 8866 Fax: +86-755-8427 6832

Email & Skype: info@chipsmall.com Web: www.chipsmall.com

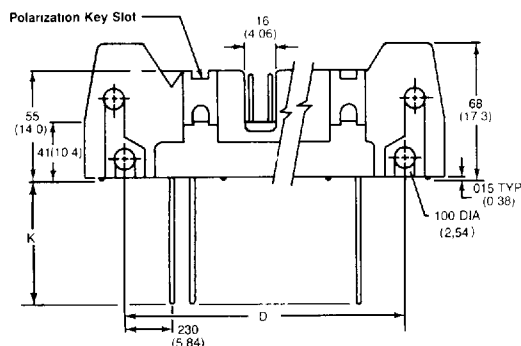
Address: A1208, Overseas Decoration Building, #122 Zhenhua RD., Futian, Shenzhen, China



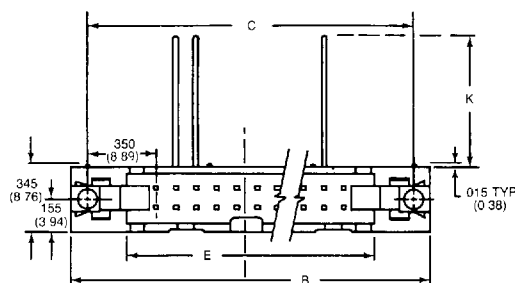
Amphenol® protected headers — 816 series

order information — four-sided wire-wrap tails

| Pins | Style | Straight Wire Wrap Tail | Right-Angle Wire Wrap Tail | Dimensions | | | | | |
|------|--------------------|-------------------------|----------------------------|------------|---------|---------|----|---------|--------|
| | | | | B | C | D | F | G | K |
| 10 | No Lock & Eject | 842-816-1037-035 | 842-816-1039-035 | 1.26 | 1.100 | .860 | 4 | .400 | .620 |
| | Short Lock & Eject | 842-816-1037-135 | 842-816-1039-135 | (32,00) | (27,94) | (21,84) | | (10,16) | (15,7) |
| | Long Lock & Eject | 842-816-1037-435 | 842-816-1039-435 | | | | | | |
| 14 | No Lock & Eject | 842-816-1437-035 | 842-816-1439-035 | 1.46 | 1.300 | 1.060 | 6 | .600 | .620 |
| | Short Lock & Eject | 842-816-1437-135 | 842-816-1439-135 | (37,84) | (33,02) | (26,92) | | (15,24) | (15,7) |
| | Long Lock & Eject | 842-816-1437-435 | 842-816-1439-435 | | | | | | |
| 16 | No Lock & Eject | 842-816-1637-035 | 842-816-1639-035 | 1.56 | 1.400 | 1.160 | 7 | .700 | .620 |
| | Short Lock & Eject | 842-816-1637-135 | 842-816-1639-135 | (39,62) | (35,56) | (29,46) | | (17,78) | (15,7) |
| | Long Lock & Eject | 842-816-1637-435 | 842-816-1639-435 | | | | | | |
| 20 | No Lock & Eject | 842-816-2037-035 | 842-816-2039-035 | 1.76 | 1.600 | 1.360 | 9 | .900 | .620 |
| | Short Lock & Eject | 842-816-2037-135 | 842-816-2039-135 | (44,70) | (40,64) | (34,54) | | (22,86) | (15,7) |
| | Long Lock & Eject | 842-816-2037-435 | 842-816-2039-435 | | | | | | |
| 26 | No Lock & Eject | 842-816-2637-035 | 842-816-2639-035 | 2.06 | 1.900 | 1.660 | 12 | 1.200 | .620 |
| | Short Lock & Eject | 842-816-2637-135 | 842-816-2639-135 | (53,32) | (48,26) | (42,16) | | (30,40) | (15,7) |
| | Long Lock & Eject | 842-816-2637-435 | 842-816-2639-435 | | | | | | |
| 30 | No Lock & Eject | 842-816-3037-035 | 842-816-3039-035 | 2.26 | 2.100 | 1.860 | 14 | 1.400 | .620 |
| | Short Lock & Eject | 842-816-3037-135 | 842-816-3039-135 | (57,40) | (53,34) | (47,24) | | (35,56) | (15,7) |
| | Long Lock & Eject | 842-816-3037-435 | 842-816-3039-435 | | | | | | |
| 34 | No Lock & Eject | 842-816-3437-035 | 842-816-3439-035 | 2.46 | 2.300 | 2.060 | 16 | 1.600 | .620 |
| | Short Lock & Eject | 842-816-3437-135 | 842-816-3439-135 | (62,48) | (58,42) | (52,32) | | (40,64) | (15,7) |
| | Long Lock & Eject | 842-816-3437-435 | 842-816-3439-435 | | | | | | |
| 40 | No Lock & Eject | 842-816-4037-035 | 842-816-4039-035 | 2.76 | 2.600 | 2.360 | 19 | 1.900 | .620 |
| | Short Lock & Eject | 842-816-4037-135 | 842-816-4039-135 | (70,10) | (66,04) | (59,94) | | (48,26) | (15,7) |
| | Long Lock & Eject | 842-816-4037-435 | 842-816-4039-435 | | | | | | |
| 50 | No Lock & Eject | 842-816-5037-035 | 842-816-5039-035 | 3.26 | 3.100 | 2.860 | 24 | 2.400 | .620 |
| | Short Lock & Eject | 842-816-5037-135 | 842-816-5039-135 | (82,80) | (78,74) | (72,64) | | (60,96) | (15,7) |
| | Long Lock & Eject | 842-816-5037-435 | 842-816-5039-435 | | | | | | |
| 60 | No Lock & Eject | 842-816-6037-035 | 842-816-6039-035 | 3.76 | 3.600 | 3.360 | 29 | 2.900 | .620 |
| | Short Lock & Eject | 842-816-6037-135 | 842-816-6039-135 | (95,90) | (91,44) | (85,34) | | (73,66) | (15,7) |
| | Long Lock & Eject | 842-816-6037-435 | 842-816-6039-435 | | | | | | |
| 64 | No Lock & Eject | 842-816-6437-035 | 842-816-6439-035 | 3.96 | 3.800 | 3.560 | 31 | 3.100 | .620 |
| | Short Lock & Eject | 842-816-6437-135 | 842-816-6439-135 | (100,58) | (96,52) | (90,42) | | (78,74) | (15,7) |
| | Long Lock & Eject | 842-816-6437-435 | 842-816-6439-435 | | | | | | |

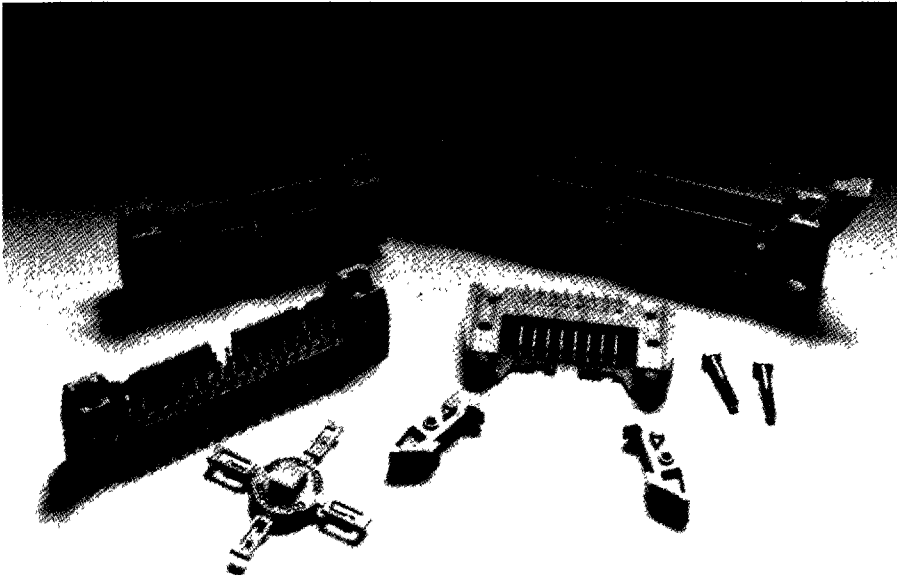


STRAIGHT WIRE WRAP TAIL 4 SIDED




RIGHT ANGLE WIRE WRAP TAIL 4 SIDED

Amphenol® protected headers, three and four sided — 816 series



benefits

- MIL-C-83503 compatible
- Snap-in polarization keys
- Easy to install lock & eject latches
- Right-angle and straight mounting styles
- Solder plated tails to avoid solder bath contamination
- Mounting studs option
- UL and CSA recognized 

characteristics

Physical

Contact spacing: .100" × .100"
 (2,54mm × 2,54mm) grid
 Number of contacts: 10, 14, 16, 20, 26, 30, 34, 36, 40, 50, 60, 64.
 Contact material: Phosphor bronze
 Contact plating: gold over nickel in mating area, solder plated tails
 Insulation material: Glass reinforced thermoplastic, UL flammability rating 94 V-O

Electrical

Current rating: 1 amp
 Insulation Resistance: 5000 megohms (min)
 Dielectric withstanding voltage: 500 VAC for 60 seconds
 Operating Temperature Range: -55° C to +130° C
 (-67° F to +266° F)
 UL Recognized to 130° C

description

All Amphenol headers are available in both right-angle and straight mounting configurations with three- and four-sided versions. Tail lengths are .100" and .160" in solder tail and .620" in wire wrap styles to meet PC board requirements. Lock and eject latches may be added to reduce strain on cable and PC boards when removing mating socket connectors.

order information

| | 842 - 816 - | | | | 40 | 22 | -4 | 35 |
|--|--|-----|--------------------------|-----|--|----|----|----|
| number of contacts: | -10 | -20 | -34 | -60 | | | | |
| | -14 | -26 | -40 | -64 | | | | |
| | -16 | -30 | -50 | | | | | |
| | 3-sided | | 4-sided | | | | | |
| | 27 | 37 | | | = straight wire-wrap tail | | | |
| | 29 | 39 | | | = right angle wire-wrap tail | | | |
| pin configuration: | 20 | 30 | | | = straight solder tail for .062 PCB | | | |
| | 21 | 31 | | | = straight solder tail for .125 PCB | | | |
| | 22 | 32 | | | = right-angle solder tail for .062 PCB | | | |
| | 23 | 33 | | | = right-angle solder tail for .125 PCB | | | |
| lock & eject (L&E) and mounting stud options: | 0 = no L&E, no stud | | 4 = long L&E, no stud | | | | | |
| | 1 = short L&E, no stud | | 5 = long L&E, short stud | | | | | |
| | 2 = short L&E, short stud | | 6 = long L&E, long stud | | | | | |
| | 3 = short L&E, long stud | | | | | | | |
| plating options: | 19 = 15µ gold contact area, tin plated tails | | | | | | | |
| | 35 = 30µ gold contact area, tin plated tails | | | | | | | |

Compatible sockets: 842-812, 216

Blue type indicates standard, available product.

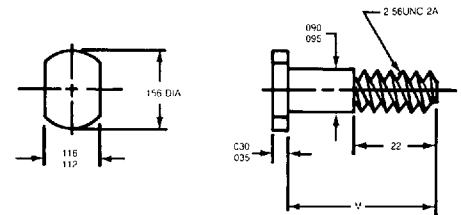
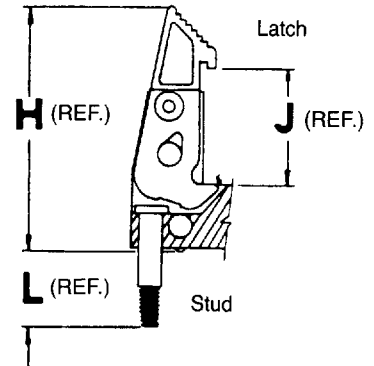
Amphenol[®] protected headers — 816 series

lock and eject and stud options

| Latches | H | J | |
|---------|-----------------|----------------|---|
| Short | 1.015 (25,8) | .425 (10,8) | For use with socket connectors without strain relief |
| Long | 1.135 (28,8) | .575 (14,6) | For use with socket connectors with strain relief |

| Part Numbers | |
|--------------|------------------|
| Short Latch | 842-800-1607-005 |
| Long Latch | 842-800-1607-006 |
| Short Stud | 842-800-0309-001 |
| Long Stud | 842-800-0309-002 |

| Studs | L | M | |
|-------|------|------|---|
| Short | .270 | .450 | with short latch — 842-816-XXXX-2XX with long latch — " -5XX |
| Long | .340 | .520 | with short latch — " -3XX with long latch — " -6XX |



lock and eject installation and polarization tabs

| |
|-------------------------------|
| Polarization Tab |
| Part Number: 842-800-1611-003 |

recommended mounting hole pattern

