



Chipsmall Limited consists of a professional team with an average of over 10 year of expertise in the distribution of electronic components. Based in Hongkong, we have already established firm and mutual-benefit business relationships with customers from,Europe,America and south Asia,supplying obsolete and hard-to-find components to meet their specific needs.

With the principle of "Quality Parts,Customers Priority,Honest Operation,and Considerate Service",our business mainly focus on the distribution of electronic components. Line cards we deal with include Microchip,ALPS,ROHM,Xilinx,Pulse,ON,Everlight and Freescale. Main products comprise IC,Modules,Potentiometer,IC Socket,Relay,Connector.Our parts cover such applications as commercial,industrial, and automotives areas.

We are looking forward to setting up business relationship with you and hope to provide you with the best service and solution. Let us make a better world for our industry!



## Contact us

Tel: +86-755-8981 8866 Fax: +86-755-8427 6832

Email & Skype: info@chipsmall.com Web: www.chipsmall.com

Address: A1208, Overseas Decoration Building, #122 Zhenhua RD., Futian, Shenzhen, China



NUMBER  
**84501**



**METRIC**

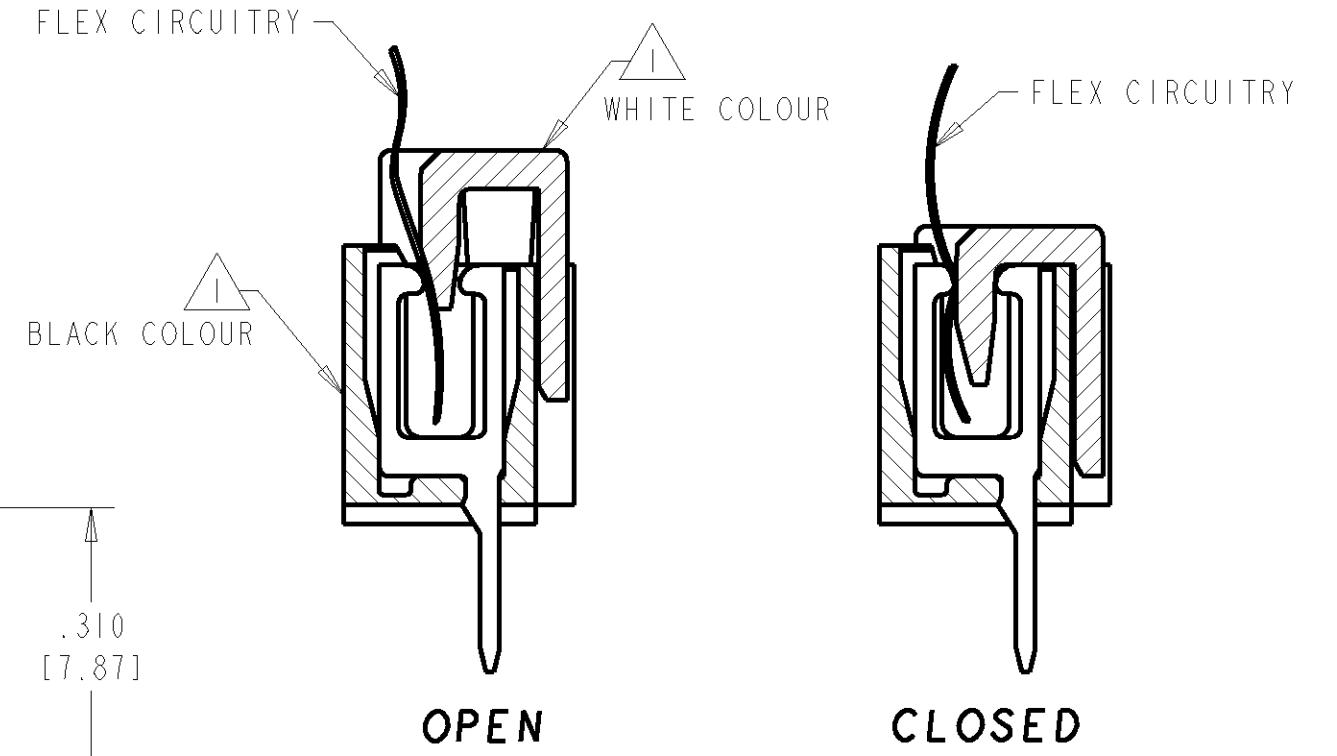
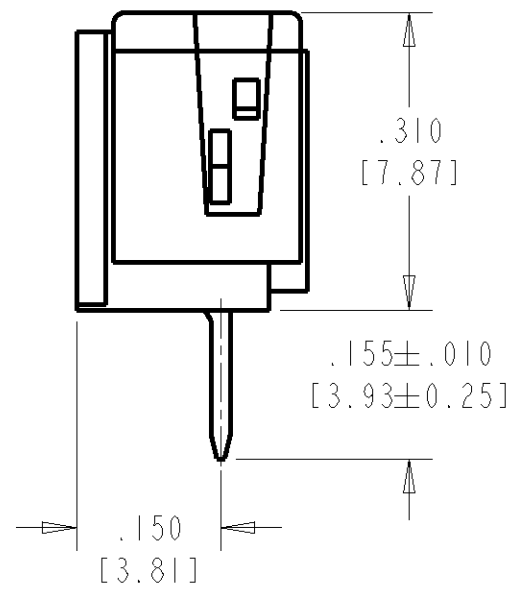
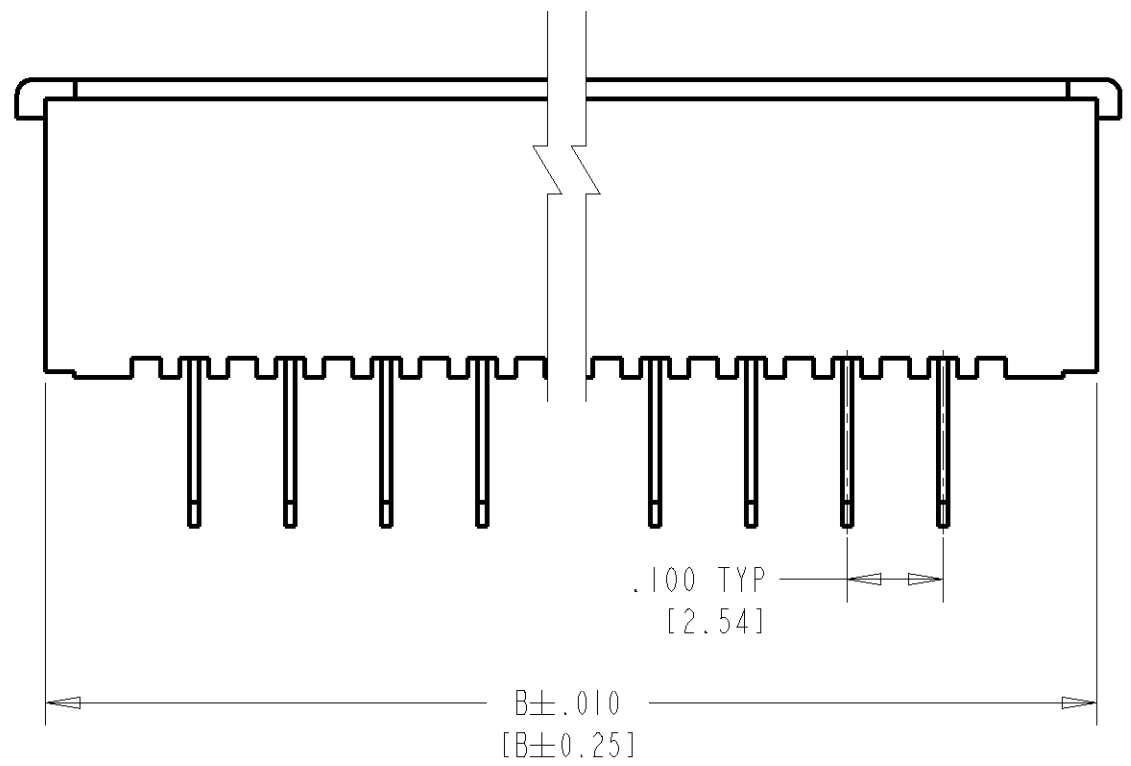
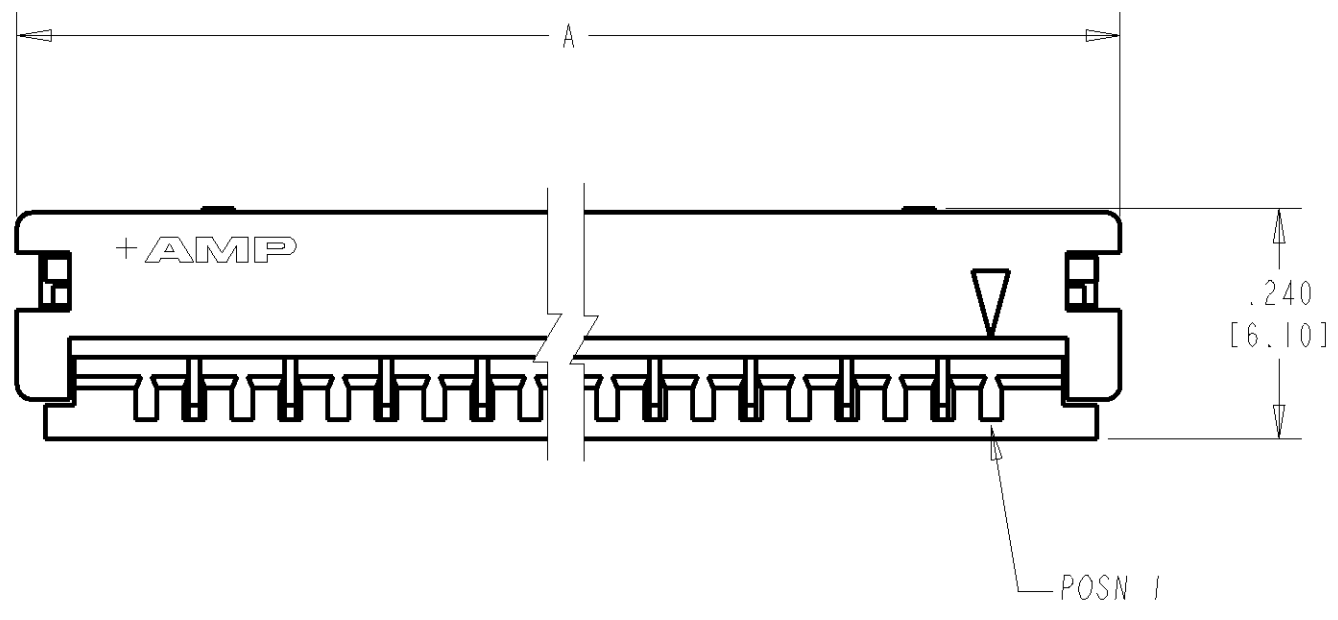
**CONFIDENTIAL INFORMATION**

DIMENSIONS IN MM. DO NOT SCALE PRINT

PRINT DIST

NOTES:

- 1 FLAME RETARDANT THERMOPLASTIC.
- 2 FINISH: .000150 [3.8u] MIN THK TIN OVER  
.000050 [1.27u] MIN THK NICKEL ON ENTIRE CONTACT.
- 3. CONNECTOR SUPPLIED IN CLOSED CONDITION.



1.410 [35.81]	1.470 [37.34]	12	84501-1
B	A	NO OF POSN	PART NUMBER

Copyright ©1997		Copyright ©1997 AMP MANUFACTURING SINGAPORE PTE. LTD. ALL RIGHTS RESERVED.		<b>AMP</b>		AMP MANUFACTURING SINGAPORE PTE. LTD.	
(WIRE RANGE) mm <sup>2</sup> (AWG - )	(INSULATION DIA.) mm $\varnothing$	(NAME) <b>CONNECTOR ASSEMBLY, .100<math>\varnothing</math>, ZIF-LINE 50</b>					
(MATERIAL) 1	(FINISH) 2	(GENERAL TOLERANCE)		SIZE	LOC	(No.)	
A REVISED FP00-0084-03	LWY LSF 16MAY03	0 < + $\leq$ 10 : $\pm$ 0.2 10 < + $\leq$ 30 : $\pm$ 0.25 30 < + $\leq$ 100 : $\pm$ 0.3 ANGLES : $\pm$ 3°		A3	DY	<b>84501</b>	
0 NPR DY/NP/0271	NWL TLP 2JUN97	DR. 2JUN97 WL NG	DE. COLIN KOH	(SCALE) 5:1	REV. A	SHEET 1 OF 1	
LTR (REVISION RECORD)	DR CHK DATE	CHK. LP TAN	APP. SF LEONG				

**CUSTOMER DRAWING**