



Chipsmall Limited consists of a professional team with an average of over 10 year of expertise in the distribution of electronic components. Based in Hongkong, we have already established firm and mutual-benefit business relationships with customers from,Europe,America and south Asia,supplying obsolete and hard-to-find components to meet their specific needs.

With the principle of “Quality Parts,Customers Priority,Honest Operation,and Considerate Service”,our business mainly focus on the distribution of electronic components. Line cards we deal with include Microchip,ALPS,ROHM,Xilinx,Pulse,ON,Everlight and Freescale. Main products comprise IC,Modules,Potentiometer,IC Socket,Relay,Connector.Our parts cover such applications as commercial,industrial, and automotives areas.

We are looking forward to setting up business relationship with you and hope to provide you with the best service and solution. Let us make a better world for our industry!



## Contact us

Tel: +86-755-8981 8866 Fax: +86-755-8427 6832

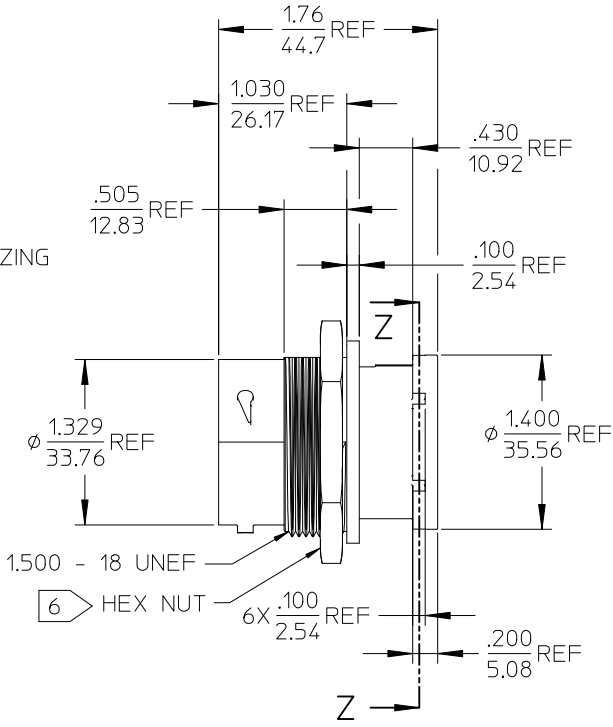
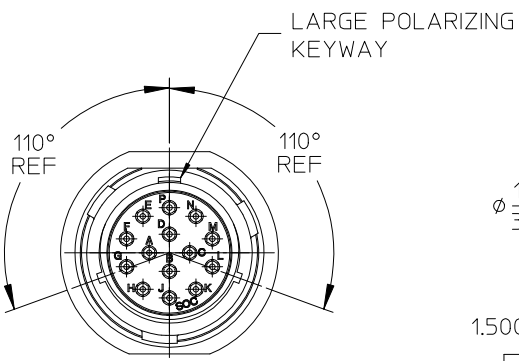
Email & Skype: info@chipsmall.com Web: www.chipsmall.com

Address: A1208, Overseas Decoration Building, #122 Zhenhua RD., Futian, Shenzhen, China

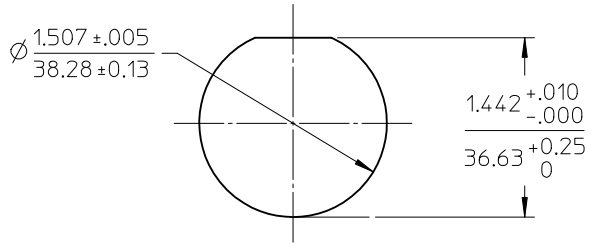
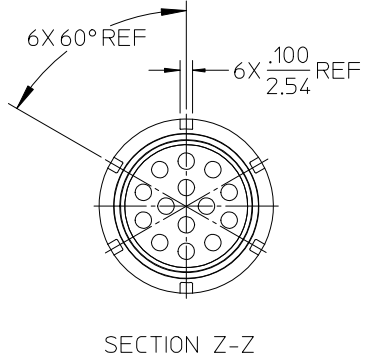
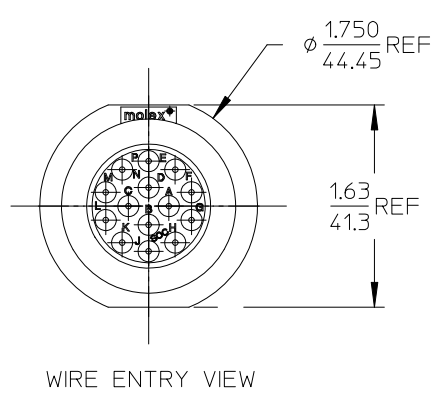
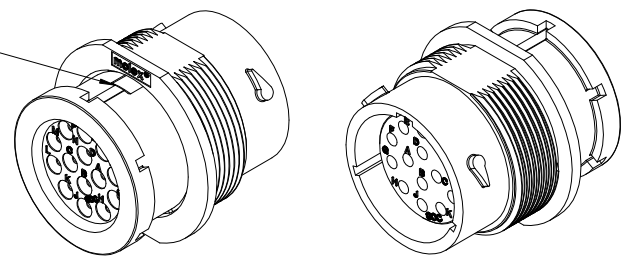


MATERIAL NUMBER	WIRE AWG	INSUL DIA O.D.
845080001	18-14	.053(1.35) - .134(3.40)

Ⓢ



LARGE POLARIZING KEY INDICATOR



- NOTES:
- MATERIALS:  
HOUSINGS: POLYESTER (PBT), GLASS FILLED, UL94V-0 & POLYETHERIMIDE (PEI), UNFILLED, UL94V-0.  
COLOR, UNLESS OTHERWISE SPECIFIED: BLACK  
SEALS: SILICONE RUBBER  
COLOR: RUST RED
  - PRODUCT SPECIFICATION: PS-84501-001.
  - MATES WITH: SERIES 84501 PLUG CONNECTOR.
  - USE CONNECTOR WITH FEMALE CRIMP TERMINAL SERIES 84525. Ⓢ
  - ALL COMPONENTS ARE ROHS COMPLIANT.
  - Ⓢ HEX NUT SOLD SEPARATELY, OPTIONAL FOR PANEL MOUNTING. MOLEX MATERIAL NUMBER 845020004.
  - RECOMMENDED PANEL THICKNESS .062/1.58 TO .187/4.76

UPDATE NOTE TO 84525 TERMS, WIRE INS. O.D. & TOL. EC NO: WNAZ011-0402 CHDKD: DRMNHLEUNG APPR: DTITUS	2011/01/28 2011/02/03 DESCRIPTION REV	QUALITY SYMBOLS	GENERAL TOLERANCES (UNLESS SPECIFIED)	DIMENSION STYLE	SCALE	DESIGN UNITS	THIRD ANGLE PROJECTION
		▽=0 ▽=0	mm INCH 4 PLACES ± --- ± --- 3 PLACES ± --- ± .015 2 PLACES ± 0.38 ± .02 1 PLACE ± 0.5 ± --- ANGULAR ± 1°	IN/MM DRAWN BY DATE DMYRICK 2006/6/26 CHECKED BY DATE JPAWLICKI 2006/6/26 APPROVED BY DATE RDEROSS 2006/6/26	1:1 INCH	Ⓢ	
		DRAFT WHERE APPLICABLE MUST REMAIN WITHIN DIMENSIONS	SEE CHART	MATERIAL NO. SD-84508-001	DOCUMENT NO. SD-84508-001	TITLE RECPT. CONNECTOR ASSEMBLY, 18-14 POS SOCKET TERMINALS MOLEX INCORPORATED	
		SIZE B	THIS DRAWING CONTAINS INFORMATION THAT IS PROPRIETARY TO MOLEX INCORPORATED AND SHOULD NOT BE USED WITHOUT WRITTEN PERMISSION	SHEET NO. 1 OF 1			