



Chipsmall Limited consists of a professional team with an average of over 10 year of expertise in the distribution of electronic components. Based in Hongkong, we have already established firm and mutual-benefit business relationships with customers from,Europe,America and south Asia,supplying obsolete and hard-to-find components to meet their specific needs.

With the principle of "Quality Parts,Customers Priority,Honest Operation,and Considerate Service",our business mainly focus on the distribution of electronic components. Line cards we deal with include Microchip,ALPS,ROHM,Xilinx,Pulse,ON,Everlight and Freescale. Main products comprise IC,Modules,Potentiometer,IC Socket,Relay,Connector.Our parts cover such applications as commercial,industrial, and automotives areas.

We are looking forward to setting up business relationship with you and hope to provide you with the best service and solution. Let us make a better world for our industry!



## Contact us

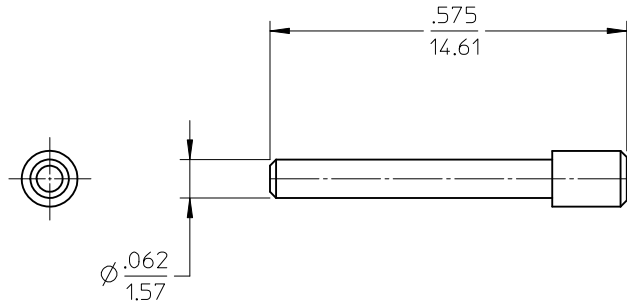
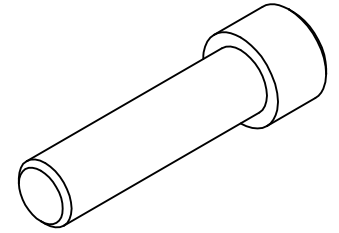
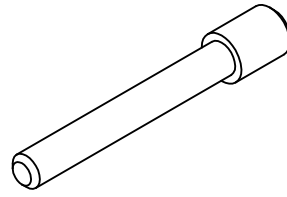
Tel: +86-755-8981 8866 Fax: +86-755-8427 6832

Email & Skype: info@chipsmall.com Web: www.chipsmall.com

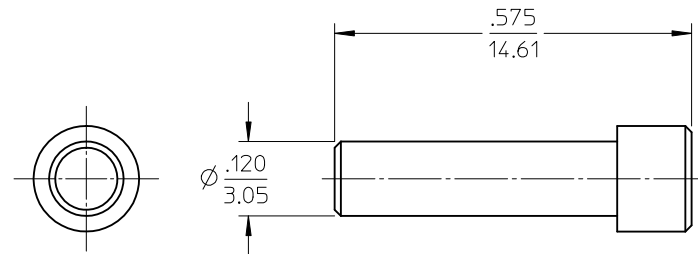
Address: A1208, Overseas Decoration Building, #122 Zhenhua RD., Futian, Shenzhen, China



MATERIAL NO.	CONTACT SIZE	COLOR
845090001	20	RED
845090002	12 & 16	NATURAL (WHITE)



MATERIAL NO. 845090001  
CONTACT SIZE 20



MATERIAL NO. 845090002  
CONTACT SIZE 12 & 16

NOTE(S):

- GENERIC MATERIAL NAME: POLYESTER (PBT)  
COLOR: SEE CHART  
UL FLAMMABILITY RATING: UL94 V-0  
MATERIAL IS ROHS COMPLIANT.
- FOR USE WITH PLUG AND RECPTACLE ASSEMBLIES  
SERIES: 84501, 84502, 84507, 84508, 84505,  
84506, 84510, 84511 & 84754. ©
- PART IS BULK PACKAGED IN A MOLEX WORLD WIDE  
CARTON IN QUANTITIES OF 4000. ©

ADDED 84754 SERIES AND QTY. EC NO: WNA2011-0306 DRAWN/CHKD: WLEUNG 2010/12/13 APPR: DJITUS 2011/01/14	QUALITY SYMBOLS	GENERAL TOLERANCES (UNLESS SPECIFIED)		DIMENSION STYLE		SCALE	DESIGN UNITS	THIRD ANGLE PROJECTION	
	▼=0 ▽=0	mm	INCH	IN/MM		5:1	INCH	PLUG, SEALING SIZES 20, 12 & 16	
		4 PLACES ± ---	± ---	DRAWN BY	DATE	TITLE MOLEX INCORPORATED DOCUMENT NO. SD-84509-001 SHEET NO. 1 OF 1			
		3 PLACES ± ---	± .015	CHECKED BY	DATE				
2 PLACES ± 0.38	± ---	JPAWLICKI	2006/6/29						
1 PLACE ± ---	± ---	JPAWLICKI	2006/6/29	APPROVED BY DATE JPAWLICKI 2006/6/29					
ANGULAR ± 1°		DRAFT WHERE APPLICABLE MUST REMAIN WITHIN DIMENSIONS		SEE CHART					