



Chipsmall Limited consists of a professional team with an average of over 10 year of expertise in the distribution of electronic components. Based in Hongkong, we have already established firm and mutual-benefit business relationships with customers from,Europe,America and south Asia,supplying obsolete and hard-to-find components to meet their specific needs.

With the principle of “Quality Parts,Customers Priority,Honest Operation,and Considerate Service”,our business mainly focus on the distribution of electronic components. Line cards we deal with include Microchip,ALPS,ROHM,Xilinx,Pulse,ON,Everlight and Freescale. Main products comprise IC,Modules,Potentiometer,IC Socket,Relay,Connector.Our parts cover such applications as commercial,industrial, and automotives areas.

We are looking forward to setting up business relationship with you and hope to provide you with the best service and solution. Let us make a better world for our industry!



Contact us

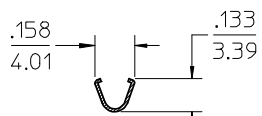
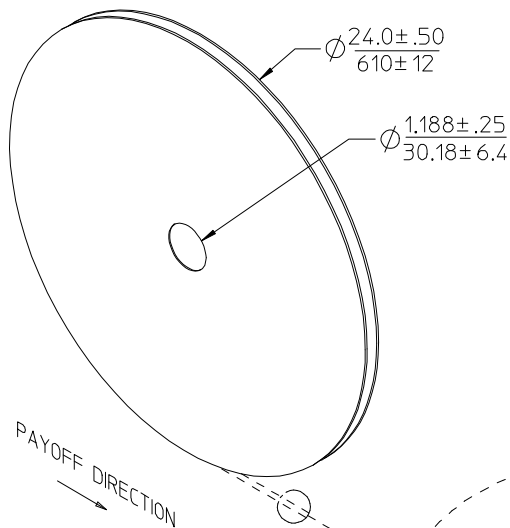
Tel: +86-755-8981 8866 Fax: +86-755-8427 6832

Email & Skype: info@chipsmall.com Web: www.chipsmall.com

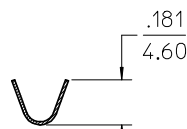
Address: A1208, Overseas Decoration Building, #122 Zhenhua RD., Futian, Shenzhen, China



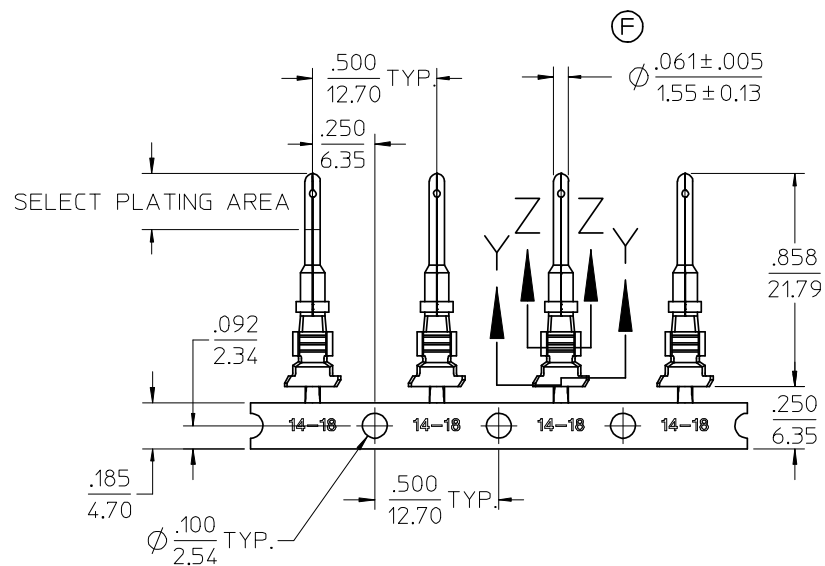
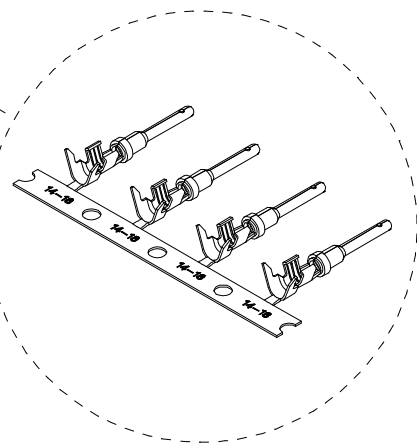
(F)	STRIP MATERIAL NUMBER	FINISH
	84590-0021	OVERALL NICKEL 80µ MINIMUM



SECTION Z-Z



SECTION Y-Y



(F) WIRE INSULATION O.D. RANGE $\frac{.095-.150}{2.41-3.81}$

NOTES:

1. MATERIAL: COPPER ALLOY .0120/0.305 THICK.
2. FINISH: SEE CHART.
3. STRIP TERMINALS ARE REELED AS SHOWN ABOVE, 3000 PARTS PER REEL.
4. TERMINAL FOR USE WITH SERIES XRC CONNECTOR ASSEMBLIES.
5. ALL DIMENSIONS ARE REFERENCE.
6. ALL MATERIALS AND FINISHES ARE ROHS COMPLIANT.

REVISE NOTES & TABLE EC NO: WNA2008-0139 TDR:WMLUNG 2008/07/26 CHKD:RDEROSS 2008/04/21 APPR:RDEROSS 2008/04/24	QUALITY SYMBOLS ▽=0 ▽=0	GENERAL TOLERANCES (UNLESS SPECIFIED)		DIMENSION STYLE IN/MM		SCALE 2:1	DESIGN UNITS INCH	THIRD ANGLE PROJECTION		
		4 PLACES ± --- ± ---	mm INCH	DRAWN BY RSTONE	DATE 09/15/04	TITLE CONTACT PIN 14-18 AWG				
		3 PLACES ± --- ± .010		CHECKED BY APLAZA	DATE 09/15/04	MOLEX INCORPORATED				
		2 PLACES ± 0.25 ± .02 1 PLACE ± 0.5 ± ---		APPROVED BY LROTHAUS	DATE 09/15/04	MATERIAL NO. SEE CHART	DOCUMENT NO. SD-84590-001	SHEET NO. 1 OF 1		
DRAFT WHERE APPLICABLE MUST REMAIN WITHIN DIMENSIONS		ANGULAR ± 3°		THIS DRAWING CONTAINS INFORMATION THAT IS PROPRIETARY TO MOLEX INCORPORATED AND SHOULD NOT BE USED WITHOUT WRITTEN PERMISSION						