



Chipsmall Limited consists of a professional team with an average of over 10 year of expertise in the distribution of electronic components. Based in Hongkong, we have already established firm and mutual-benefit business relationships with customers from,Europe,America and south Asia,supplying obsolete and hard-to-find components to meet their specific needs.

With the principle of “Quality Parts,Customers Priority,Honest Operation,and Considerate Service”,our business mainly focus on the distribution of electronic components. Line cards we deal with include Microchip,ALPS,ROHM,Xilinx,Pulse,ON,Everlight and Freescale. Main products comprise IC,Modules,Potentiometer,IC Socket,Relay,Connector.Our parts cover such applications as commercial,industrial, and automotives areas.

We are looking forward to setting up business relationship with you and hope to provide you with the best service and solution. Let us make a better world for our industry!



Contact us

Tel: +86-755-8981 8866 Fax: +86-755-8427 6832

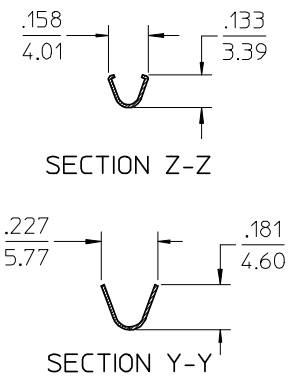
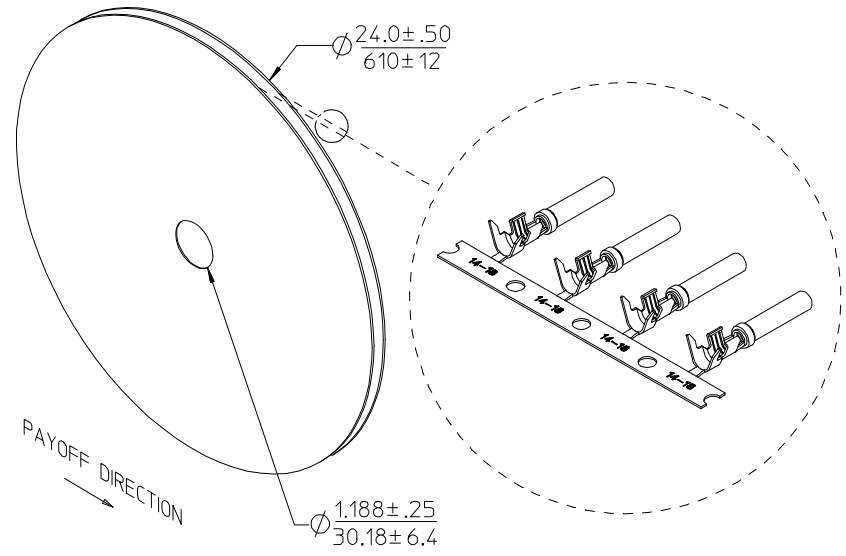
Email & Skype: info@chipsmall.com Web: www.chipsmall.com

Address: A1208, Overseas Decoration Building, #122 Zhenhua RD., Futian, Shenzhen, China

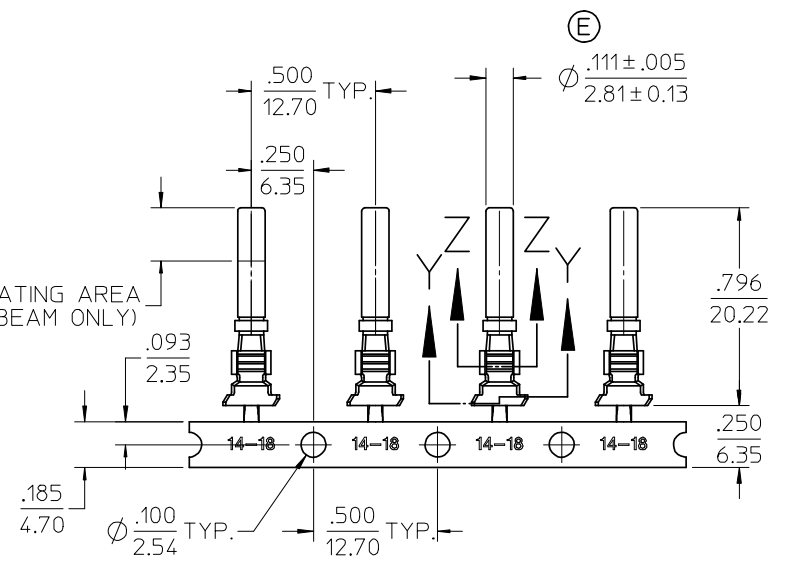


10 9 8 7 6 5 4 3 2 1

(E)	STRIP MATERIAL NUMBER	FINISH
	84590-0024	OVERALL NICKEL 80µ" MINIMUM



SELECT PLATING AREA (CONTACT BEAM ONLY)



- NOTES:
1. TERMINAL MATERIAL: COPPER ALLOY, .012/0.30 THICK. HOOD MATERIAL: STAINLESS STEEL, .008/0.20 THICK.
 2. FINISH: SEE CHART.
 3. STRIP TERMINALS ARE REELED AS SHOWN ABOVE, 3000 PARTS PER REEL.
 4. TERMINAL FOR USE WITH SERIES XRC CONNECTOR ASSEMBLIES.
 5. ALL DIMENSIONS ARE REFERENCE.
 6. ALL MATERIALS AND FINISHES ARE ROHS COMPLIANT.

(E) WIRE INSULATION O.D. RANGE .095-1.50 / 2.41-3.81

UPDATE NOTES & TABLE EC NO: WINA2008-0139 DRAWN BY: DR/MIN/WJLUNG 2008/07/26 CHKD: RDEROSS 2008/04/21 APPR: RDEROSS 2008/04/24 REV	QUALITY SYMBOLS	GENERAL TOLERANCES (UNLESS SPECIFIED)	DIMENSION STYLE	SCALE	DESIGN UNITS	THIRD ANGLE PROJECTION																				
	$\nabla=0$ $\nabla=0$	<table border="1"> <tr><th colspan="2">mm</th><th colspan="2">INCH</th></tr> <tr><td>4 PLACES</td><td>± ---</td><td>± ---</td><td></td></tr> <tr><td>3 PLACES</td><td>± ---</td><td>± .010</td><td></td></tr> <tr><td>2 PLACES</td><td>± 0.25</td><td>± .02</td><td></td></tr> <tr><td>1 PLACE</td><td>± 0.5</td><td>± ---</td><td></td></tr> </table>	mm		INCH		4 PLACES	± ---	± ---		3 PLACES	± ---	± .010		2 PLACES	± 0.25	± .02		1 PLACE	± 0.5	± ---		IN/MM	2:1	INCH	
	mm		INCH																							
	4 PLACES	± ---	± ---																							
3 PLACES	± ---	± .010																								
2 PLACES	± 0.25	± .02																								
1 PLACE	± 0.5	± ---																								
DRAFT WHERE APPLICABLE MUST REMAIN WITHIN DIMENSIONS	DRAWN BY: RSTONE DATE: 09/15/04 CHECKED BY: APLAZA DATE: 09/15/04 APPROVED BY: LROTHAUS DATE: 09/15/04	TITLE	CONTACT SOCKET (HOODED), 14-18 AWG																							
		MATERIAL NO.	DOCUMENT NO.		SHEET NO.																					
		SEE CHART	SD-84590-002		1 OF 1																					
THIS DRAWING CONTAINS INFORMATION THAT IS PROPRIETARY TO MOLEX INCORPORATED AND SHOULD NOT BE USED WITHOUT WRITTEN PERMISSION																										

9 8 7 6 5 4 3 2 1