



Chipsmall Limited consists of a professional team with an average of over 10 year of expertise in the distribution of electronic components. Based in Hongkong, we have already established firm and mutual-benefit business relationships with customers from,Europe,America and south Asia,supplying obsolete and hard-to-find components to meet their specific needs.

With the principle of “Quality Parts,Customers Priority,Honest Operation,and Considerate Service”,our business mainly focus on the distribution of electronic components. Line cards we deal with include Microchip,ALPS,ROHM,Xilinx,Pulse,ON,Everlight and Freescale. Main products comprise IC,Modules,Potentiometer,IC Socket,Relay,Connector.Our parts cover such applications as commercial,industrial, and automotives areas.

We are looking forward to setting up business relationship with you and hope to provide you with the best service and solution. Let us make a better world for our industry!



Contact us

Tel: +86-755-8981 8866 Fax: +86-755-8427 6832

Email & Skype: info@chipsmall.com Web: www.chipsmall.com

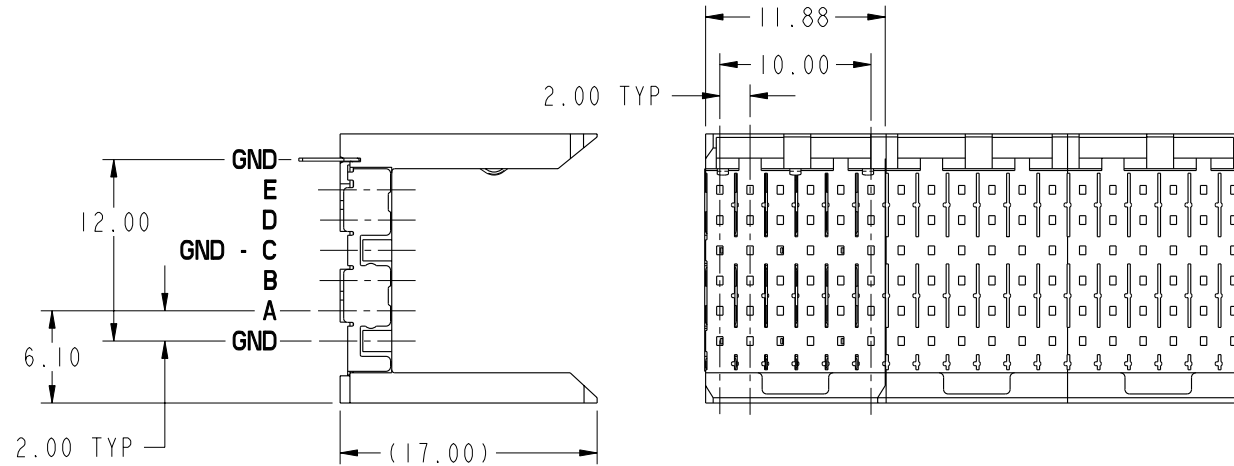
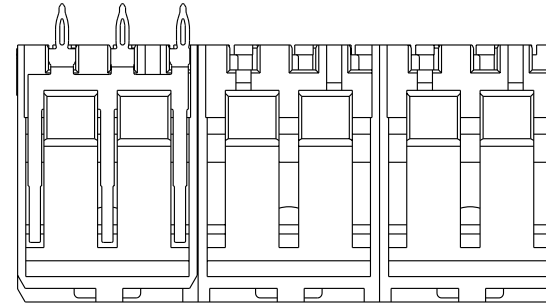
Address: A1208, Overseas Decoration Building, #122 Zhenhua RD., Futian, Shenzhen, China





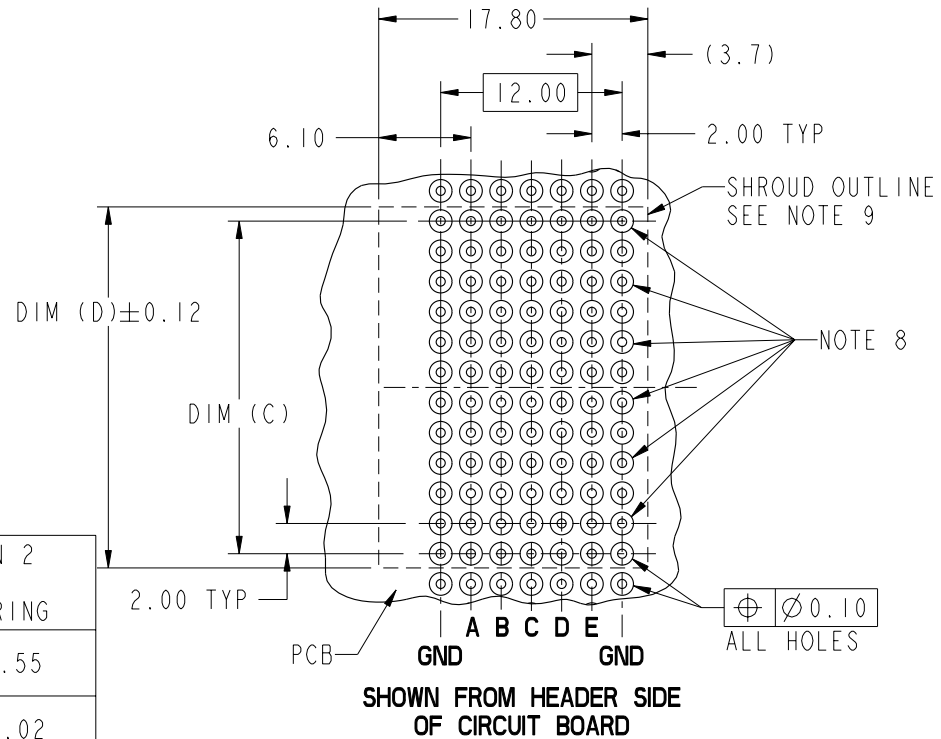
This document is the property of and embodies CONFIDENTIAL and PROPRIETARY information of FCI. No part of the information shown on this document may be used in any way or disclosed to others without the written consent of FCI. Copyright FCI.

| PRODUCT NUMBER | GROUND SPRING CONTACT FINGERS PLATING PERFORMANCE LEVEL | GROUND SPRING EON PRESS FIT TAIL PLATING |
|----------------|---|--|
| 84621-101 | TELCORDIA CO | STANDARD (SnPb) |
| 84621-101LF | | LEAD FREE (Sn) |
| 84621-301 | CUSTOMER SPECIAL | STANDARD (SnPb) |
| 84621-301LF | | LEAD FREE (Sn) |
| 84621-501 | TELCORDIA UE | STANDARD (SnPb) |
| 84621-501LF | | LEAD FREE (Sn) |



| | | | | | | | | |
|--------------------------|----------------|------|------------|---------------------------------------|------------------------|------------|-------------------------------|-------------|
| mat'l code SEE NOTE 5 | | | | tolerances unless otherwise specified | | CUSTOMER | FCI www.fciconnect.com | |
| ltr | ecm no. | dr | date | linear | 0.X ±0.1 | COPY | title | |
| A | V90180 | L-IV | 1999-04-13 | | 0.XX ±0.05 | projection | VERTICAL SIGNAL HDR SHROUD | |
| B | V94089 | MRS | 1999-11-18 | angles | .XXX ±.020 | | 5 ROW, PRESS-FIT 30 POS. STD. | |
| C | V12224 | EPK | 2001-09-13 | | 0° ±2° | MM | product family | METRAL 2000 |
| D | V05-0797 | VS | 2005-08-31 | dr | E. KROPER. 2001-09-13 | ← MM → | size | dwg no |
| E | V06-0544 | DCH | 2006-06-12 | engr | J. VOLSTORF 2001-09-13 | scale | A | 84621 |
| F | V07-0677 | HTB | 2007-11-14 | chr | J. VOLSTORF 2001-09-13 | 2:1 | code | |
| G | V08-0072 | HTB | 2008-02-11 | appd | J. VOLSTORF 2001-09-13 | | 213 | |
| sheet index | revision sheet | G 1 | G 2 | G 3 | | | cage code | 22526 |
| | | | | | | | | 1 of 3 |

PRODUCT NUMBER
SEE SHEET 1



| PRESS-FIT HOLES | OPTION 1 ROWS GND-PIN, A, B, C, D, E | OPTION 2 ROW GND-SPRING |
|--------------------------------|--|-------------------------------|
| HOLE DIAMETER AFTER PLATING | 0.65-0.80 | 0.45-0.55 |
| DRILLED HOLE | 0.81-0.86 (0.85 DRILL) | 0.60±0.02 |
| COPPER PLATING | 0.025 MIN | 0.025 MIN |
| SnPb PLATING | 0.005-0.015 | 0.005-0.015 |

| | | | | | | | |
|--------------------------|-------------------|--|---------------------------|----------|------------------------|---------------------------|--|
| mat'l code SEE NOTE 5 | | tolerances unless otherwise specified | | CUSTOMER | | FCj www.fciconnect.com | |
| ltr | ecr no. | dr | date | linear | 0.X ± 0.1 | COPY | title VERTICAL SIGNAL HDR SHROUD 5 ROW, PRESS-FIT 30 POS. STD. |
| G | | | | linear | 0.XX ± 0.05 | projection | |
| | | | | angles | .XXX ± .020 0° ± 2° | | |
| | | dr | E. KROPER. 2001-09-13 | MM | | product family | METRAL 2000 |
| | | enr | J. VOLSTORF 2001-09-13 | scale | 2:1 | size | dwg no |
| | | chr | J. VOLSTORF 2001-09-13 | | | A | 84621 |
| | | appd | J. VOLSTORF 2001-09-13 | | | | code |
| sheet index | revision sheet | | | | | | 213 sheet 2 |

This document is the property of and embodies
 CONFIDENTIAL and PROPRIETARY information of FCj.
 No part of the information shown on this
 document may be used in any way or disclosed
 to others without the written consent of FCj.
 Copyright FCj.

PRODUCT NUMBER
SEE SHEET 1

NOTES:

1. SEE APPLICATION SPECIFICATION GS-20-010 FOR INFORMATION ON AVAILABLE TOOLING, CIRCUIT BOARD DESIGN CONSIDERATIONS, REPAIR PROCEDURES AND PRODUCT OFFERINGS.
2. SEE FCI PUBLICATION 950511-028 FOR "ELECTRICAL PERFORMANCE DATA FOR DIFFERENTIAL APPLICATIONS."
3. SEE FCI PUBLICATION 950511-029 FOR "ELECTRICAL PERFORMANCE DATA FOR SINGLE-ENDED APPLICATION."
4. UNLESS OTHERWISE SPECIFIED, ALL DIMENSIONS AND TOLERANCES ARE IN ACCORDANCE WITH ASME Y14.5, 1994
5. HOUSING MATERIAL: LIQUID CRYSTAL POLYMER, 30% GLASS FILLED, FLAME RETARDANT PER UL 94-V0.
GROUND SPRING MATERIAL: PHOSPHER BRONZE
STRIPLINE SHIELDED MATERIAL: PHOSPHER BRONZE
6. PLATING INFORMATION: SEE TABLE
7. THE MIN PCB THICKNESS FOR REAR PLUG-UP APPLICATIONS IS 2.9mm SINCE THE COMPLIANT SECTIONS OF THE GROUND SPRING OF THE HEADER DIRECTLY OPPOSE THE GROUND SPRING OF THE SHROUD.
8. THESE HOLES ARE NEEDED FOR REAR PLUG-UP DESIGNS USING A SHROUD. ALL OTHER HOLES ARE FOR THE HEADER.
9. THE 'SHROUD OUTLINE' IS THE MIN OUTLINE REQUIRED. TO DETERMINE THE OUTLINE NECESSARY TO PERMIT THE VARIOUS TYPES OF REPAIR OPERATIONS, SEE APPLICATION SPECIFICATION GS-20-010.
10. CURRENT RATING: 1 AMP PER PIN
11. TEMPERATURE RANGE: -55°C TO +105°C
12. PRODUCTS WHERE THE PART NUMBERS ENDS IN LF MEET EUROPEAN UNION DIRECTIVES AND OTHER COUNTRY REGULATIONS AS DESCRIBED IN GS-22-008.
13. ALL PRODUCTS WILL WITHSTAND EXPOSURE TO 260°C FOR 60 SECONDS IN A CONVECTION, INFRA-RED OR VAPOR PHASE REFLOW OVEN.
FOR LEAD FREE PART NUMBERS, ADD 'LF' SUFFIX EXAMPLE:84621-X01LF



This document is the property of and embodies CONFIDENTIAL and PROPRIETARY information of FCI. No part of the information shown on this document may be used in any way or disclosed to others without the written consent of FCI. Copyright FCI.

| | | | | | | | | | | | |
|--------------------------|----------------|----|------|---------------------------------------|-------------|------------|--------------------|----------------|-------------|-------|-----|
| mat'l code SEE NOTE 5 | | | | tolerances unless otherwise specified | | CUSTOMER | www.fciconnect.com | | | | |
| ltr | ecr no. | dr | date | linear | 0.X ±0.1 | | COPY | | | | |
| G | | | | | 0.XX ±0.05 | | projection | | | | |
| | | | | | .XXX ±.020 | | | | | | |
| | | | | angles | 0° ±2° | | | | | | |
| | | | | dr | E. KROPER. | 2001-09-13 | | product family | METRAL 2000 | code | |
| | | | | enr | J. VOLSTORF | 2001-09-13 | | size | dwg no | | 213 |
| | | | | chr | J. VOLSTORF | 2001-09-13 | | A | 84621 | sheet | 3 |
| | | | | appd | J. VOLSTORF | 2001-09-13 | | | | | |
| sheet index | revision sheet | | | | | | | | | | |