



Chipsmall Limited consists of a professional team with an average of over 10 year of expertise in the distribution of electronic components. Based in Hongkong, we have already established firm and mutual-benefit business relationships with customers from,Europe,America and south Asia,supplying obsolete and hard-to-find components to meet their specific needs.

With the principle of “Quality Parts,Customers Priority,Honest Operation,and Considerate Service”,our business mainly focus on the distribution of electronic components. Line cards we deal with include Microchip,ALPS,ROHM,Xilinx,Pulse,ON,Everlight and Freescale. Main products comprise IC,Modules,Potentiometer,IC Socket,Relay,Connector.Our parts cover such applications as commercial,industrial, and automotives areas.

We are looking forward to setting up business relationship with you and hope to provide you with the best service and solution. Let us make a better world for our industry!



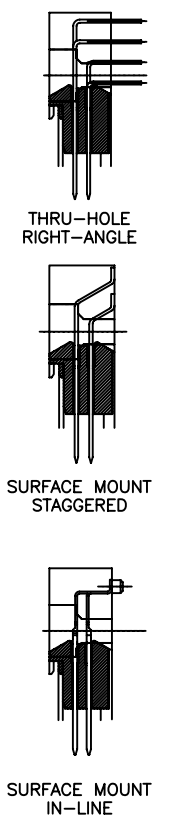
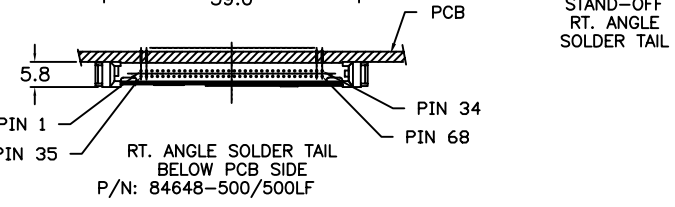
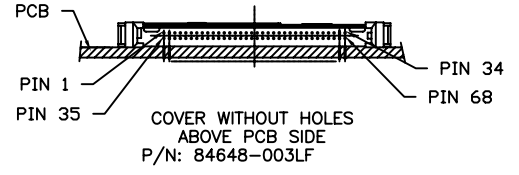
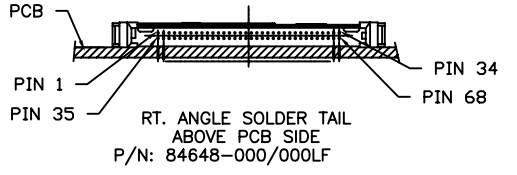
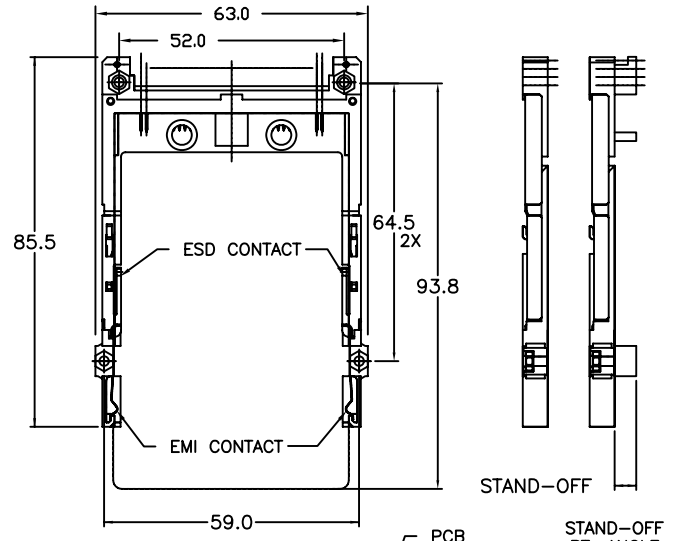
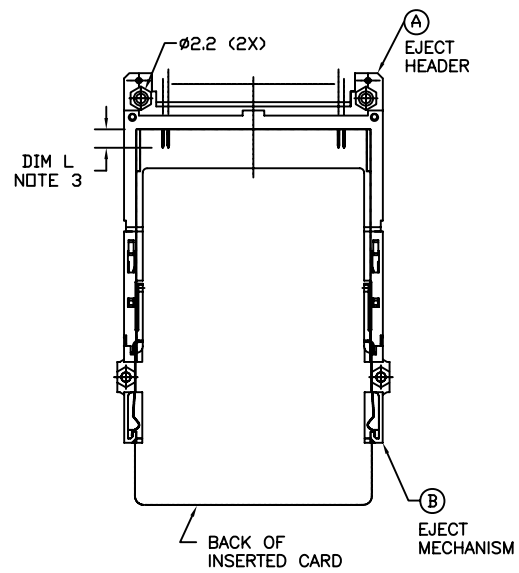
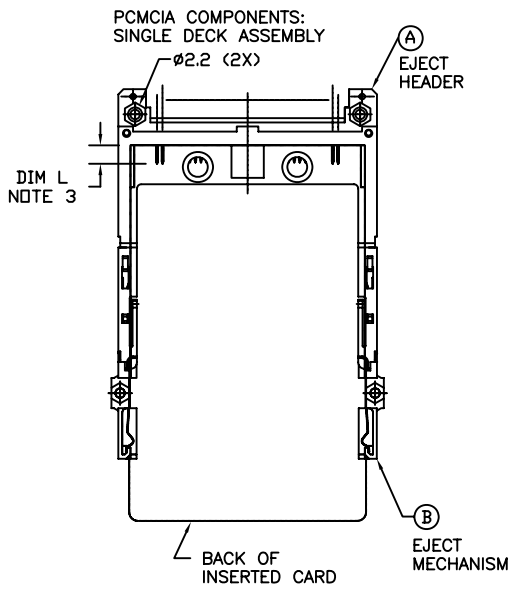
Contact us

Tel: +86-755-8981 8866 Fax: +86-755-8427 6832

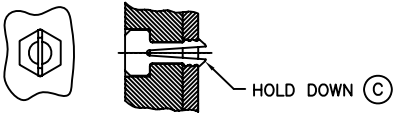
Email & Skype: info@chipsmall.com Web: www.chipsmall.com

Address: A1208, Overseas Decoration Building, #122 Zhenhua RD., Futian, Shenzhen, China



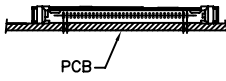


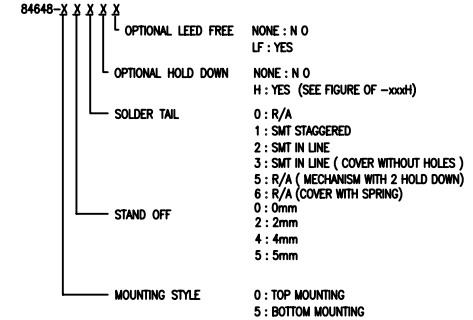
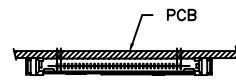
- NOTES:
- REFER TO HEADER DRAWING 94898 AND NON-EJECT MECHANISM 92791 FOR ADDITIONAL DIMENSIONS, MATERIAL, AND PLATING INFORMATION.
 - REFER TO TA-946 FOR PCB LAYOUT AND PCB KEEP-OUT AREA.
 - RECOMMENDED SCREW TORQUE: 1.0 TO 1.5 MAX in-lbs. (1.2-1.7 cm-kgs).
 - PCB SIDE IS AS APPEARS INSTALLED.
 - SOLDER TAIL KEY:
R/A = RIGHT ANGLE PIN-THROUGH-HOLE
SMT-STG = STAGGERED SURFACE MOUNT
SMT-IL = SURFACE MOUNT IN-LINE (SINGLE ROW)
- | | | |
|----------|---------|------------------|
| 4.25±0.1 | 3.5±0.1 | 5.0±0.1 |
| OTHERS | 36,67 | 1,17,34,35,51,68 |
- ADD "H" TO PART NUMBER FOR OPTIONAL HOLD DOWN (4 PER ASSEMBLY)



- ADD "LF" TO PART NUMBER FOR LEAD-FREE TYPE.
- IF LEAD FREE P/N. THE HOUSING WILL WITHSTAND EXPOSURE TO 260°C PEAK TEMPERATURE
SOLDER TAIL : SMT-IL, SMT-STG CAN RESIST 40 SECONDS IN A CONVECTION, INFRA-RED OR VAPOR PHASE REFLOW OVEN.
SOLDER TAIL : R/A CAN RESIST 10 SECONDS IN A WAVE SOLDER APPLICATION WITH A 1.00MM MINIMUM THICK CIRCUIT BOARD.
- IF LEAD FREE P/N. THE PRODUCT MEETS EUROPEAN UNION DIRECTIVES AND OTHER COUNTRY REGULATIONS AS DISCRIBED IN GS-22-008
- LEAD FREE P/N PACKAGING MEETS GS-14-920 SPECIFICATION
- PRODUCT SPEC:110-263

mat'l. code		surface	tolerance	projection	product family
		ISO 1302	ISO 406 ISO 1101		PCMCIA
ltr	ecn no	dr	date	tolerances unless otherwise specified	title
V	ELX-N-17249	HJ	03/20/14	angles linear ±2'	68 POS. 3.3VNON-EJECT HEADER ASSEMBLY
				.X±.3 .XX±.13 .XXX±.051	MM scale 1:1
		dr	R.GRAPE	6/22/98	dwg no
		enr	D.BRANN	6/22/98	84648
		chr	D.BRANN	6/22/98	sheet 1 of 4
		appd	D.BRANN	6/22/98	size
					A4
sheet	revision	V	V	V	type
index	sheet	1	2	3	CUSTOMER
					Drawing

PCB SIDE ④	SOLDER TAIL ⑤	STANDOFF (MM)	Ⓐ EJECT HEADER	Ⓑ EJECT MECHANISM	Ⓒ NOTE ⑥ HOLD DOWN	QTY.	TO MAKE FINAL ASSY PART NUMBER	MOUNTING STYLE TO P.C.B.
ABOVE	R/A	NONE	94898-000	92791-001			84648-000	
ABOVE	R/A	NONE	94898-000	92791-001	93925-001	4	84648-000H	
ABOVE	R/A	2	94898-040	92791-021			84648-020	
ABOVE	R/A	2	94898-040	92791-021	93925-002	4	84648-020H	
ABOVE	R/A	4	94898-010	92791-041			84648-040	
ABOVE	R/A	4	94898-010LF	92791-041			-040LF	
ABOVE	R/A	4	94898-010	92791-041	93925-003	4	84648-040H	
ABOVE	R/A	4	94898-010LF	92791-041	-003	4	-040HLF	
ABOVE	R/A	5	94898-020	92791-051			84648-050	
ABOVE	R/A	5	94898-020	92791-051	93925-004	4	84648-050H	
ABOVE	R/A	5	94898-021MLF	92791-051M	93925-011	4	84648-050HLF	
ABOVE	R/A	5	94898-020	92791-051	63284-104	2	84648-055	
ABOVE	R/A	5	94898-021MLF	92791-051M	63284-104	2	84648-055LF	
ABOVE	R/A	5	94898-021MLF	92791-053M	63284-104	4	84648-056HLF	
ABOVE	R/A	5	SEE TABLE	SEE TABLE	SEE TABLE	4	84648-057HLF	
ABOVE	R/A	5	94898-021MLF	92791-051M	63284-011	4	84648-051HLF	
ABOVE	SMT-IL	NONE	94898-002	92791-001			84648-002	
ABOVE	SMT-IL	NONE	94898-002LF	92791-001			84648-002LF	
ABOVE	SMT-IL	NONE	94898-002LF	92791-001A			84648-003LF	
ABOVE	SMT-IL	NONE	94898-002LF	92791-001A	93925-001	4	84648-003HLF	
ABOVE	R/A	NONE	94898-000LF	92791-001			84648-000LF	
ABOVE	R/A	NONE	94898-000LF	92791-001	93925-001	4	84648-000HLF	
ABOVE	R/A	2	94898-040LF	92791-021			84648-020LF	
ABOVE	R/A	2	94898-040LF	92791-021	93925-002	4	84648-020HLF	
ABOVE	R/A	5	94898-020LF	92791-051			84648-050LF	
ABOVE	SMT-IL	NONE	94898-002	92791-001	93925-001	4	84648-002H	
ABOVE	SMT-STG	NONE	94898-001	92791-001			84648-001	
ABOVE	SMT-IL	NONE	94898-002LF	92791-001	-001	4	84648-002HLF	
ABOVE	SMT-STG	NONE	94898-001LF	92791-001			84648001LF	
BELOW	R/A	NONE	94898-500	92791-001			84648-500	
BELOW	R/A	2	94898-540	92791-021			84648-520	
BELOW	R/A	4	94898-510	92791-041			84648-540	
BELOW	R/A	5	94898-520	92791-051			84648-550	
BELOW	R/A	5	94898-520	92791-051	93925-004	4	84648-550H	
BELOW	R/A	NONE	94898-500LF	92791-001			84648-500LF	
BELOW	R/A	2	94898-540LF	92791-021			84648-520LF	
BELOW	R/A	4	94898-510LF	92791-041			84648-540LF	
BELOW	R/A	5	94898-520LF	92791-051			84648-550LF	
BELOW	R/A	5	94898-520LF	92791-051	93925-004	4	84648550HLF	
BELOW	SMT-IL	NONE	94898-502	92791-001			84648-502	
BELOW	SMT-IL	NONE	94898-502	92791-001	93925-001	4	84648-502H	
BELOW	SMT-STG	NONE	94898-501	92791-001			84648-501	
BELOW	SMT-IL	NONE	94898-502LF	92791-001			84648-502LF	
BELOW	SMT-IL	NONE	94898-502LF	92791-001	93925-001	4	84648502HLF	
BELOW	SMT-STG	NONE	94898-501LF	92791-001			84648-501LF	



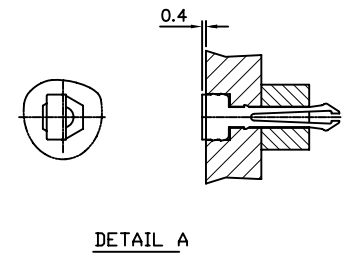
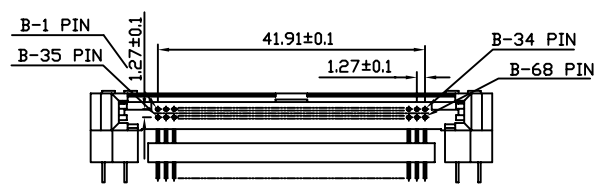
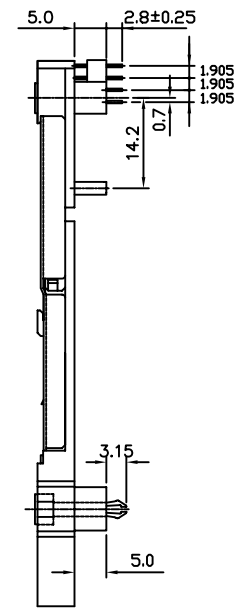
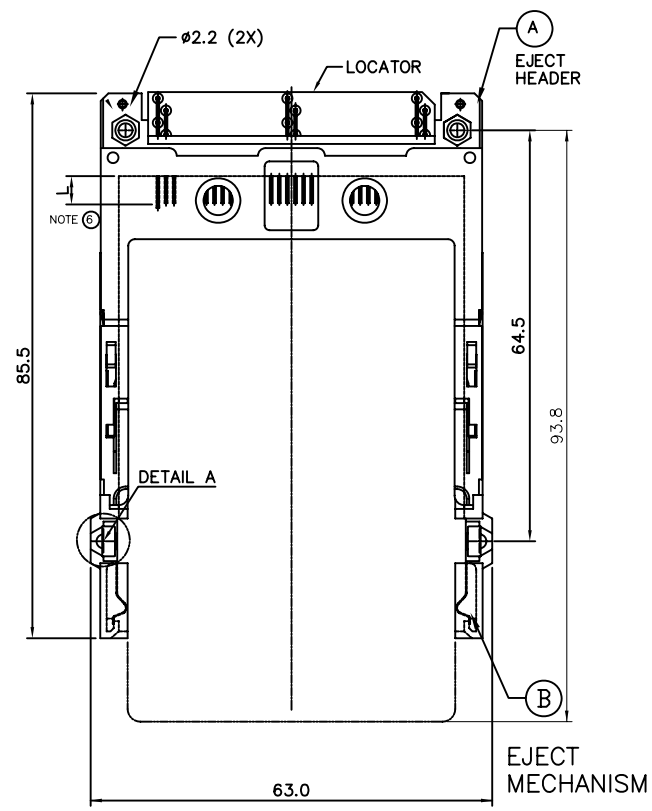
mat'l. code		surface	tolerance	projection	product family
ltr		ISO 1302	ISO 406 ISO 1101	101	PCMCIA
ecn no	dr	tolerances unless otherwise specified		MM	title
v		angles	.X±.3		
		linear	.XX±.13	scale 1:1	68 POS. 3.3VNON-EJECT HEADER ASSEMBLY
		±2'	.XXX±.051		
		dr	R.GRAPE 6/22/98	FCI	dwg no 84648 sheet 2 of 4 size A4
		enr	D.BRANN 6/22/98		
		chr	D.BRANN 6/22/98		
		appd	D.BRANN 6/22/98		
sheet index	revision sheet				type CUSTOMER Drawing

FCI CONFIDENTIAL

FCI
FCIconnect.com

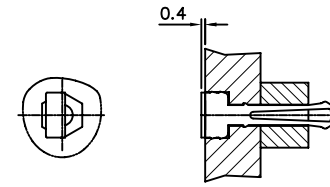
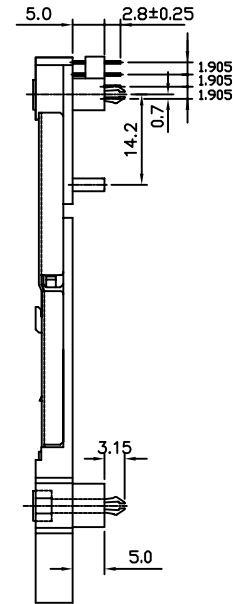
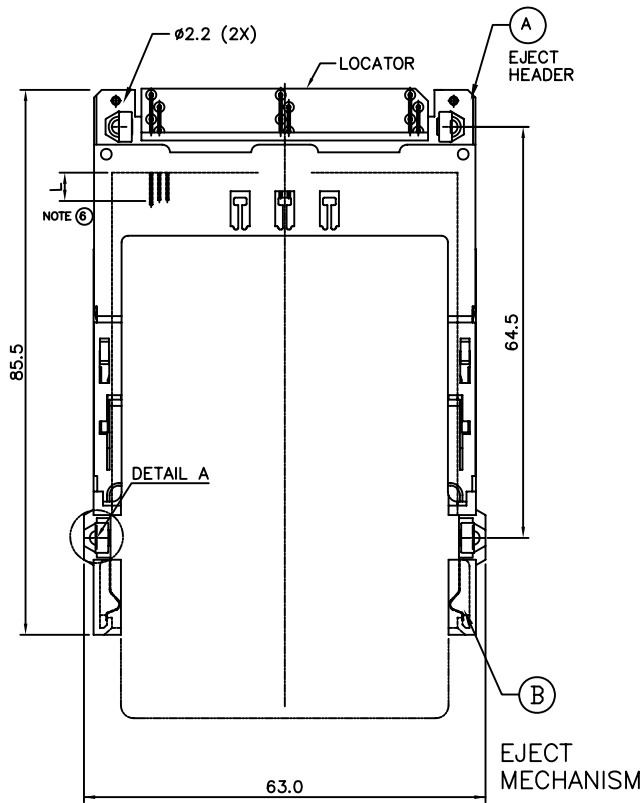
This document is the property of and embodies CONFIDENTIAL and PROPRIETARY information of FCI. No part of the information shown on this document may be used in any way or disclosed to others without the written consent of FCI.
Copyright FCI

PRODUCT NO.
84648-055/055LF

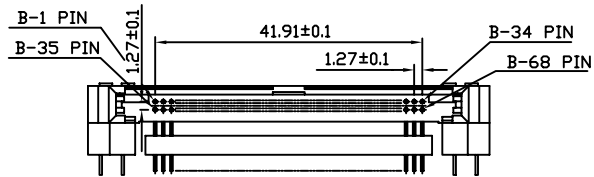


mat'l. code		surface	tolerance	projection	product family
ISO 1302		ISO 406	ISO 1101		PCMCIA
Ltr	ecn no	dr	date	tolerances unless otherwise specified	title
V				.X±.3 .XX±.13 .XXX±.051	68 POS. 3.3VNON-EJECT HEADER ASSEMBLY
			angles	linear	MM
			±2'	scale 1:1	
		dr	R.GRAPE	6/22/98	dwg no
		enr	D.BRANN	6/22/98	84648
		chr	D.BRANN	6/22/98	sheet 3 of 4
		appd	D.BRANN	6/22/98	size A4
sheet	revision				type CUSTOMER Drawing
index	sheet				

PRODUCT NO.
84648-056HLF



DETAIL A



mat'l. code		surface	tolerance	projection	product family
		ISO 1302	ISO 406 ISO 101		PCMCIA
ltr	ecn no	dr	date	title	
V				68 POS. 3.3VNON-EJECT HEADER ASSEMBLY	
		angles	linear	MM	
		±2'	.X±.3 .XX±.13 .XXX±.051	scale 1:1	
		dr	R.GRAPE	6/22/98	dwg no
		enr	D.BRANN	6/22/98	sheet 4 of 4
		chr	D.BRANN	6/22/98	size
		appd	D.BRANN	6/22/98	A4
sheet		revision	type CUSTOMER Drawing		
index	sheet				



This document is the property of and embodies CONFIDENTIAL and PROPRIETARY information of FCI. No part of the information shown on this document may be used in any way or disclosed to others without the written consent of FCI.
 Copyright FCI

FCI CONFIDENTIAL

FCI
 FCIconnect.com