



Chipsmall Limited consists of a professional team with an average of over 10 year of expertise in the distribution of electronic components. Based in Hongkong, we have already established firm and mutual-benefit business relationships with customers from,Europe,America and south Asia,supplying obsolete and hard-to-find components to meet their specific needs.

With the principle of “Quality Parts,Customers Priority,Honest Operation,and Considerate Service”,our business mainly focus on the distribution of electronic components. Line cards we deal with include Microchip,ALPS,ROHM,Xilinx,Pulse,ON,Everlight and Freescale. Main products comprise IC,Modules,Potentiometer,IC Socket,Relay,Connector.Our parts cover such applications as commercial,industrial, and automotives areas.

We are looking forward to setting up business relationship with you and hope to provide you with the best service and solution. Let us make a better world for our industry!



Contact us

Tel: +86-755-8981 8866 Fax: +86-755-8427 6832

Email & Skype: info@chipsmall.com Web: www.chipsmall.com

Address: A1208, Overseas Decoration Building, #122 Zhenhua RD., Futian, Shenzhen, China

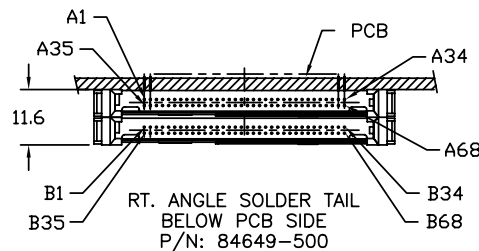
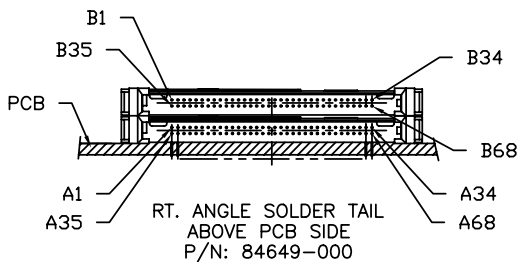
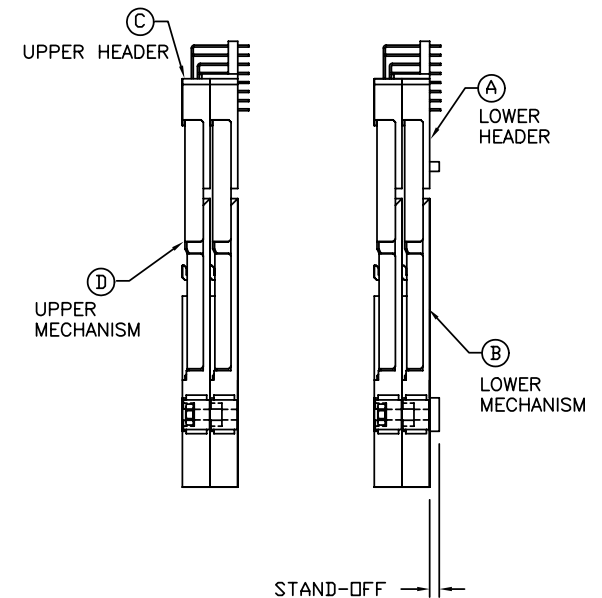
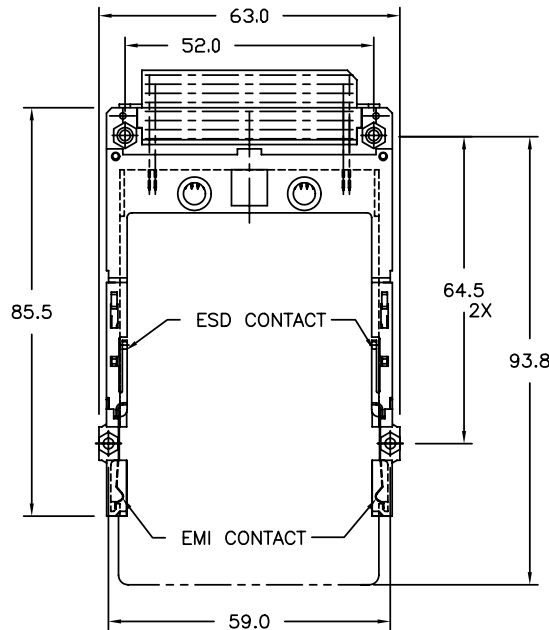
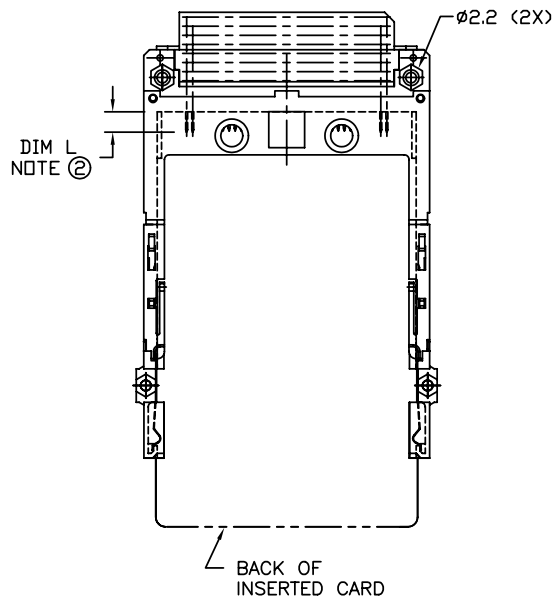


Tous droits strictement reserves. Reproduction ou communication a des tiers interdite sous quelque forme que ce soit sans autorisation ecrite du proprietaire. Propriete de c FCI. Droits de reproduction FCI.



All rights strictly reserved. Reproduction or issue to third parties in any form whatever is not permitted without written authority from the proprietor. Property of FCI. Copyright FCI.

PCMCIA COMPONENTS:
DOUBLE DECK ASSEMBLY



- REFER TO HEADER DRAWING 94898 AND NON-EJECT MECHANISM 92791 FOR ADDITIONAL DIMENSIONS, MATERIAL, AND PLATING INFORMATION.
- RECOMMENDED SCREW TORQUE: 1.0 TO 1.5 MAX in-lbs. (1.2-1.7 cm-kgs).

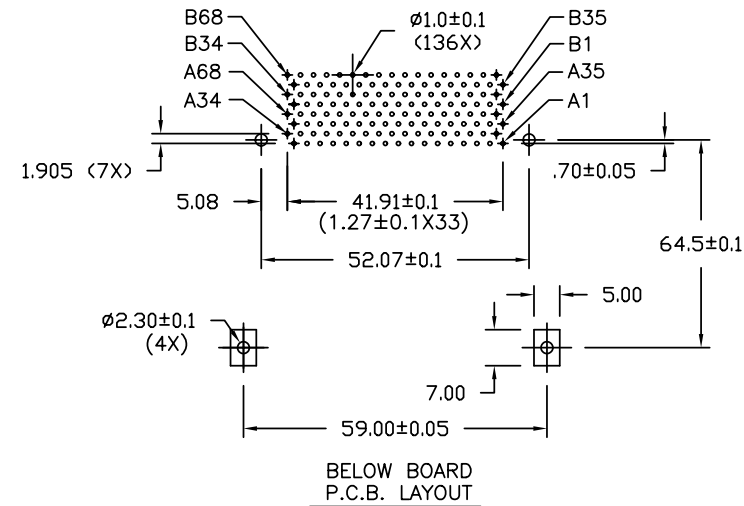
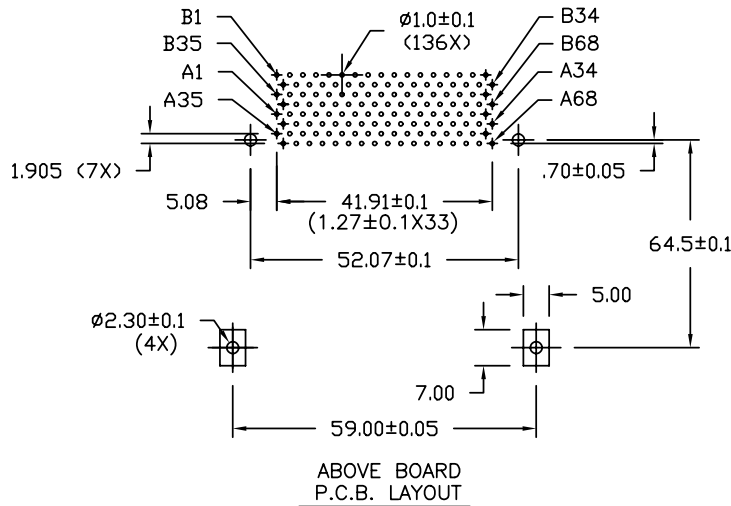
mat'l. code				tolerances unless otherwise specified		CUSTOMER COPY	FCI www.fciconnect.com
ltr	ecn no	dr	date	linear	.X±.3		
A	V81226	RHG	6/22/98		.XX±.13		
B	V12164	TFG	8/17/01		.XXX±.051		
C	V03-0517	WL	05/29/03	angles	0° ±2°	MM scale 1:1	product family MCS size 84649 sheet 1 of 2
D	N09-0148	SH	05/14/09	dr	R.GRAPE 6/22/98		
				enr	D.BRANN 6/22/98		
				chr	D.BRANN 6/22/98		
				appd	D.BRANN 6/22/98		
sheet index	revision sheet	C	C				
		1	2				

PDM: Rev:D 3

STATUS Released cage code 82520 Printed: Oct 12, 2010

PCMCIA COMPONENTS: DOUBLE DECK ASSEMBLY

PCB SIDE ①	STANDOFF (MM)	LOWER DECK		UPPER DECK		TO MAKE FINAL ASSY PART NUMBER	MOUNTING STYLE TO P.C.B.
		Ⓐ HEADER	Ⓑ MECHANISM	Ⓒ HEADER	Ⓓ MECHANISM		
ABOVE	NONE	94898-000	92791-001	94898-005	92791-001	84649-000	
ABOVE	NONE	94898-000LF	92791-001	94898-005LF	92791-001	84649-000LF	
ABOVE	2	94898-040	92791-021	94898-045	92791-001	84649-020	
BELOW	NONE	94898-500	92791-001	94898-505	92791-001	84649-500	
BELOW	2	94898-540	92791-021	94898-545	92791-001	84649-520	



NOTES:

- ① PCB SIDE IS AS APPEARS INSTALLED.
- ② DIM L

4.25±0.1	3.5±0.1	5.0±0.1
OTHERS	36,67	1,17,34,35,51,68

mat'l. code				tolerances unless otherwise specified		CUSTOMER COPY		 www.fciconnect.com	
ltr	ecn no	dr	date	linear	.X±.3	projection	title		
D					.XX±.13		3.3V DOUBLE DECK		
				angles	.XXX±.051		NON-EJECT HEADER ASS'Y		
					0° ±2°	 MM	product family	MCS	code
				dr	R.GRAPE 6/22/98		size	dwg no	—
				enr	D.BRANN 6/22/98		A4	84649	sheet
				chr	D.BRANN 6/22/98	2 of			
				appd	D.BRANN 6/22/98	scale	1:1		
sheet index	revision sheet								

Tous droits strictement reserves. Reproduction ou communication a des tiers interdite sous quelque forme que ce soit sans autorisation ecrite du proprietaire. Propriete de c FCI. Droits de reproduction FCI.



All rights strictly reserved. Reproduction or issue to third parties in any form whatever is not permitted without written authority from the proprietor. Property of FCI. Copyright FCI.